



ENGLISH

FRANÇAIS

ESPAÑOL

OWNER'S MANUAL

FRENCH DOOR

REFRIGERATOR

Please read this guide thoroughly before operating and keep it handy for reference at all times.

LFC25776**

LFC21776**

INTRODUCTION

IMPORTANT SAFETY INFORMATION

Basic Safety Precautions	3
CFC Disposal	4
How to Connect Electricity	5

PARTS AND FEATURES

Special Features	6
Key Parts and Components	7

INSTALLATION

Choose the Proper Location	8
Clearances	8
Flooring	9
Handle Removal.....	9
Refrigerator Door and Freezer Drawer Removal ..	10
Light Replacement	15
Connecting the Water Supply	16
Connecting the Water Lines.....	17
Leveling the Refrigerator Doors	18
Starting.....	19

HOW TO USE

Setting The Controls	20
Automatic Icemaker	21
Storing Foods	22
Location of Foods	23
Shelf Height Adjustment	24
Removing and Replacing Components	25

CARE AND CLEANING

Cleaning the Refrigerator	29
General Information	29

TROUBLESHOOTING

Before Calling for Service	30
----------------------------------	----

SPECIFICATIONS

Key Dimensions and Specifications	34
---	----

WARRANTY

Product Registration Information	35
--	----

THANK YOU!

Congratulations on your purchase
and welcome to the LG family.

Your new LG French Door

Refrigerator combines

advanced cooling technology

with simple operation and high

efficiency. Follow the operating

and care instructions in this

manual and your refrigerator


will provide you with many years


of reliable service.


IMPORTANT SAFETY INFORMATION


BASIC SAFETY PRECAUTIONS

This guide contains many important safety messages. Always read and obey all safety messages.

 This is the safety alert symbol. It alerts you to safety messages that inform you of hazards that can kill or hurt you or others or cause damage to the product. All safety messages will be preceded by the safety alert symbol and the hazard signal word DANGER, WARNING, or CAUTION. These words mean:

 **DANGER** You **might** be killed or seriously injured if you don't follow instructions.

 **WARNING** You **can** be killed or seriously injured if you don't follow instructions.

 **CAUTION** Indicates an imminently hazardous situation which, if not avoided, **may** result in minor or moderate injury, or product damage.

All safety messages will identify the hazard, tell you how to reduce the chance of injury, and tell you what can happen if the instructions are not followed.

WARNING

To reduce the risk of fire, electric shock, or injury to persons when using your product, basic safety precautions should be followed, including the following.

Read all instructions before using this appliance.

- NEVER unplug your refrigerator by pulling on the power cord. Always grip the plug firmly and pull it straight out from the outlet.
- Repair or replace immediately all electric service cords that have become frayed or otherwise damaged. Do not use a cord that shows cracks or abrasion damage along its length or at either the plug or connector end.
- When moving your refrigerator away from the wall, be careful not to roll over or damage the power cord.
- DO NOT store or use gasoline or other flammable vapors and liquids in the vicinity of this or any other appliance.
- DO NOT allow children to climb, stand, or hang on the refrigerator doors or shelves in the refrigerator. They could damage the refrigerator and seriously injure themselves.
- Keep fingers out of pinch point areas; clearances between the doors and cabinet are necessarily small. Be careful closing doors when children are in the area.
- Unplug your refrigerator before cleaning or making any repairs.
NOTE: Service should be performed by a qualified technician.
- Before replacing a burned-out light bulb, unplug the refrigerator or turn off power at the circuit breaker or fuse box in order to avoid contact with a live wire filament. (A burned-out light bulb may break when being replaced.)
NOTE: Some models have LED interior lighting and service should be performed by a qualified technician.
NOTE: Setting either or both controls to the OFF position does not remove power to the light circuit.
- When you are finished, reconnect the refrigerator to the electrical source and reset the control (Thermostat Refrigerator Control, or Freezer Control, or Freezer Control, depending on the model) to the desired setting.
- This refrigerator must be properly installed in accordance with the **Installer Instructions** that were taped to the front of the refrigerator.
- After your refrigerator is in operation, do not touch the cold surfaces in the freezer compartment when hands are damp or wet. Skin may adhere to the extremely cold surfaces.
- In refrigerators with automatic icemakers, avoid contact with the moving parts of the ejector mechanism or with the heating element that releases the cubes. DO NOT place fingers or hands on the automatic icemaking mechanism while the refrigerator is plugged in.
- **Do not modify or extend the power cord length.** It will cause electric shock or fire.

IMPORTANT SAFETY INFORMATION

BASIC SAFETY PRECAUTIONS (CONT.)

- Do not use drier to dry the inside, nor light a candle to remove odor.
- Install in places away from the fire such as the place where flammable gas is leaked.
- This appliance is not intended for use by persons (including children) with reduced physical, sensory or mental capabilities, or lack of experience and knowledge, unless they have been given supervision or instruction concerning use of the appliance by a person responsible for their safety.

Children should be supervised to ensure that they do not play with the appliance.

- DO NOT refreeze frozen foods which have thawed completely. The United States Department of Agriculture in Home and Garden Bulletin No. 69 says:
...You may safely refreeze frozen foods that have thawed if they still contain ice crystals or if they are still cold—below 40°F (4°C).
...Thawed ground meats, poultry, or fish that have any off-odor or off-color should not be refrozen and should not be eaten. Thawed ice cream should be discarded. If the odor or color of any food is poor or questionable, dispose of it. The food may be dangerous to eat.

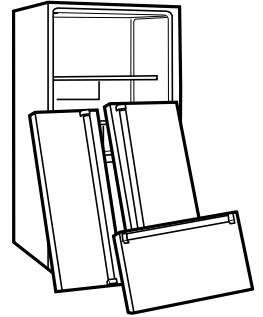
Even partial thawing and refreezing reduces the quality of foods, particularly fruits, vegetables, and prepared foods. The eating quality of red meats is affected less than that of many other foods. Use refrozen foods as soon as possible to save as much of their quality as you can.

Risk of Child Entrapment

Discarded or abandoned refrigerators are dangerous, even if they will sit for just a few days. If you are disposing of your old refrigerator, please follow the instructions below to help prevent accidents.

Before you throw away your old refrigerator or freezer:

- Take off the doors.
- Do not leave the shelves in place, as children may climb inside.



CFC DISPOSAL

Your old refrigerator may have a cooling system that used CFCs (chlorofluorocarbons). CFCs are believed to harm stratospheric ozone.

If you are throwing away your old refrigerator, make sure the CFC refrigerant is removed for proper disposal by a qualified servicer. If you intentionally release this CFC refrigerant, you can be subject to fines and imprisonment under provisions of environmental legislation.

IMPORTANT SAFETY INFORMATION

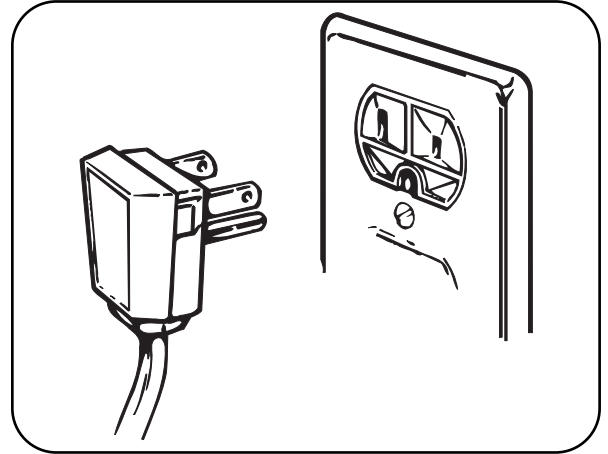
HOW TO CONNECT ELECTRICITY

IMPORTANT: Please read carefully.

⚠️ WARNING

Electrical Shock Hazard

For personal safety, this appliance must be properly grounded. Have the wall outlet and the circuit checked by a qualified electrician to make sure the outlet is properly grounded.



RECOMMENDED GROUNDING METHOD

The refrigerator should always be plugged into its own individual properly grounded electrical outlet rated for 120 volts, 60 Hz, AC only, and fused at 20 amperes. This provides the best performance and also prevents overloading house wiring circuits which could cause a fire hazard from overheated wires. It is recommended that a separate circuit serving only this appliance be provided.

Use a receptacle which cannot be turned off with a switch or pull chain. Do not use an extension cord. Where a standard two-prong wall outlet is encountered, it is your personal responsibility and obligation to have it replaced with a properly grounded three-prong wall outlet.

Do not, under any circumstances, cut or remove the third (ground) prong from the power cord.

Do not use an adapter plug.

NOTE: Some models have LED interior lighting and service should be performed by a qualified technician.

When you are finished, reconnect the refrigerator to the electrical source and reset the control (Thermostat, Refrigerator Control, or Freezer Control, depending on the model) to the desired setting.

USE OF EXTENSION CORDS

Because of potential safety hazards under certain conditions, we strongly recommend against the use of an extension cord.

However, if you still elect to use an extension cord, it is absolutely necessary that it be a UL-listed (USA), 3-wire grounding-type appliance extension cord having a grounding-type plug and outlet and that the electrical rating of the cord be 20 amperes (minimum) and 120 volts.

Use of an extension cord will increase the clearance needed for the back of the refrigerator.

SAVE THESE INSTRUCTIONS

PARTS AND FEATURES

SPECIAL FEATURES

1 CONTROL PANEL LED DISPLAY SCREEN

Simple electronic controls are user-friendly. The LED screen shows refrigerator and freezer temperatures, displays water filter status, dispenser information, and more.

2 ICE PLUS

When this feature is activated, the freezer section will run at the coldest temperature for a 24-hour period to increase ice production.

3 DOOR ALARM

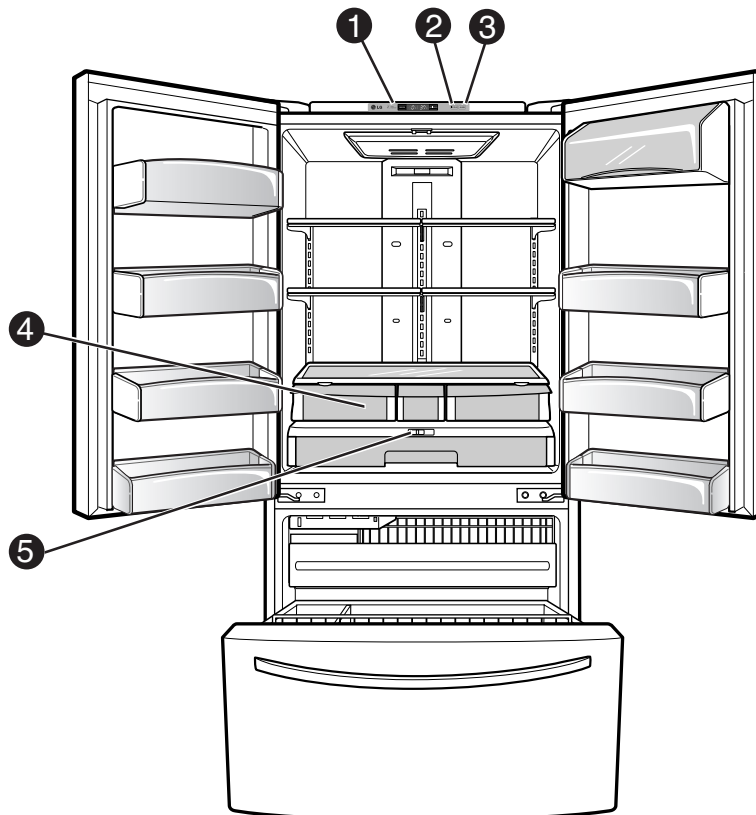
A warning alarm sounds at 30-second intervals when the refrigerator or freezer door is left open for more than 60 seconds.

4 CRISPERS

LG's crispers preserve humidity and help vegetables stay crisp.

5 GLIDE'N'SERVE

Provides storage space with a variable temperature control that keeps the compartment colder than refrigerator.



NOTE: This guide covers several different models. The refrigerator you have purchased may have some or all of the items listed below. The locations of the features shown below may not match your model.

KEY PARTS AND COMPONENTS

In addition to the special features and components outlined in the **Special Features** section, there are several other important components that are referenced in this manual.

1 ADJUSTABLE REFRIGERATOR SHELVING

The refrigerator compartment shelves are adjustable to allow flexibility for storage needs.

2 GALLON STORAGE BINS

Three interchangeable bins can be arranged to suit your storage needs.

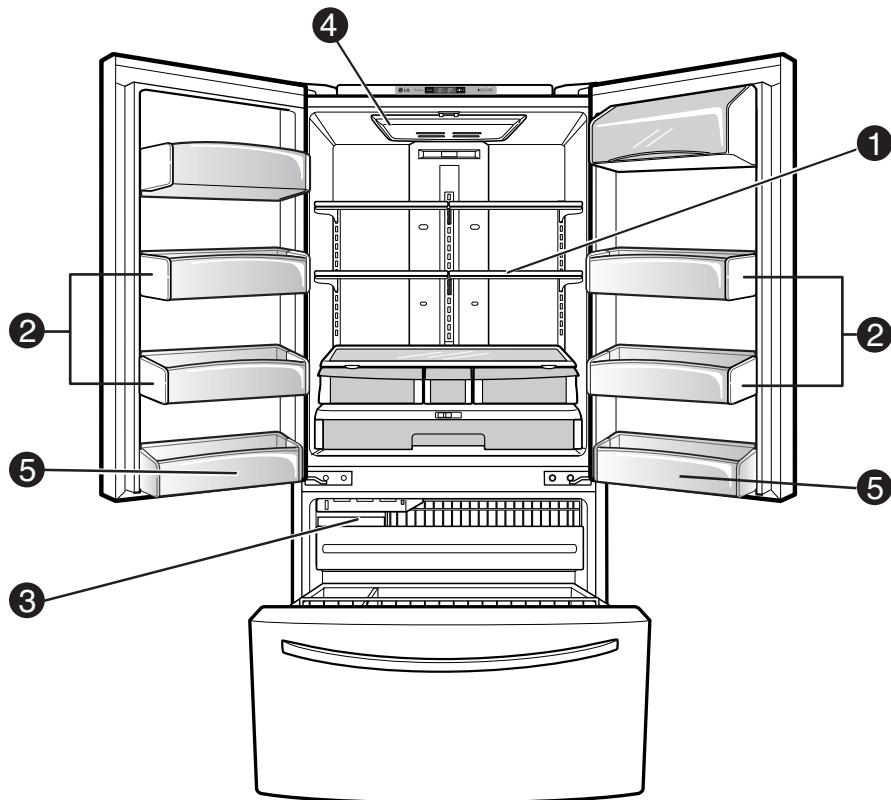
3 REMOVABLE ICE STORAGE BIN

The ice storage bin can be removed to fill ice buckets, coolers, or pitchers.

4 LED INTERIOR LAMPS

Refrigerator interior is lit by the LED array.

5 FIXED DOOR BINS



INSTALLATION

CHOOSE THE PROPER LOCATION

⚠️ WARNING

Excessive Weight Hazard

Two or more people are required when moving and unpacking the appliance.

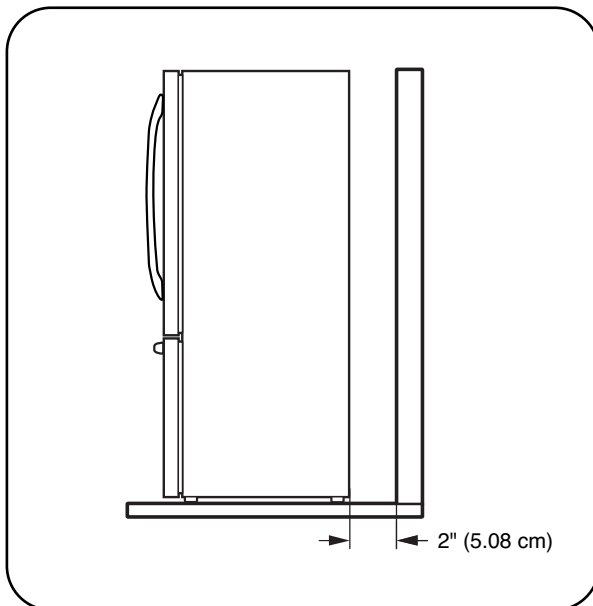
- Store and install the refrigerator where it will not be exposed to temperatures below freezing or exposed to outdoor weather conditions.
- Install this appliance in an area where the temperature is between 55°F (13°C) and 110°F (43°C). If the temperature around the appliance is too low or too high, cooling ability may be adversely affected.
- If this refrigerator is installed where the temperature is above 110°F (43°C), the freezing capacity is compromised and the cost of electricity used increases.

- To reduce the risk of electric shock, do not install the refrigerator in a wet or damp area.
- Select a place where a water supply can be easily connected for the automatic icemaker and dispenser.
- Unstable installation may cause vibration and noise. If the floor is not even, make the refrigerator level by rotating the height adjusting screws.
- Properly ground the refrigerator to conform with all governing codes and ordinances.

⚠️ CAUTION

Avoid placing the unit near heat sources, direct sunlight, or moisture.

CLEARANCES



- Too small a distance from adjacent items may result in lowered freezing capability and increased electricity consumption charges. Allow at least 24 in. (61 cm) in front of the refrigerator to open the doors.

NOTE: For complete dimensions and specifications, see page 34.

FLOORING

- To minimize noise and vibration, the refrigerator **MUST** be installed on a solidly constructed floor.
- To avoid vibration, the unit must be level. If required, adjust the leveling legs to compensate for unevenness of the floor. The front should be slightly higher than the rear to aid in door closing. The leveling legs can be turned easily by pushing against the top of the refrigerator to take the weight off the feet. Turn the leveling legs clockwise to raise the unit or counterclockwise to lower it.

- Carpeting and soft tile surfaces are not recommended.
- Never install the refrigerator on a platform or weakly supported structure.

NOTE: When moving the refrigerator for cleaning or service, be sure to protect the floor. Always pull the refrigerator straight out when moving it. Do not wiggle or walk the refrigerator when trying to move it; floor damage could occur.

NOTE: It is recommend that the doors be removed when it is necessary to move the refrigerator through a narrow opening.

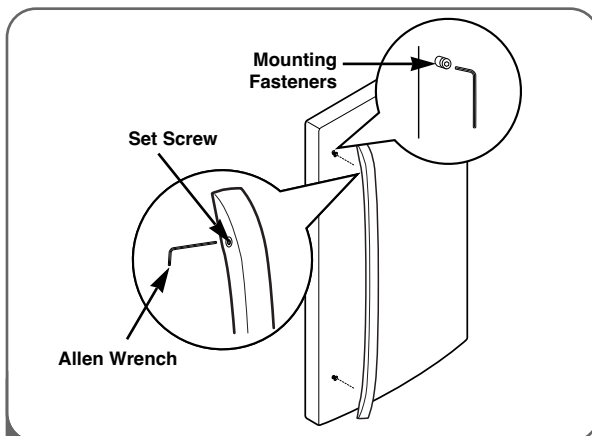
HANDLE REMOVAL

To move the refrigerator through a house door, it may be necessary to remove the refrigerator door handles.

NOTE: Handle appearance may vary from illustrations on this page.

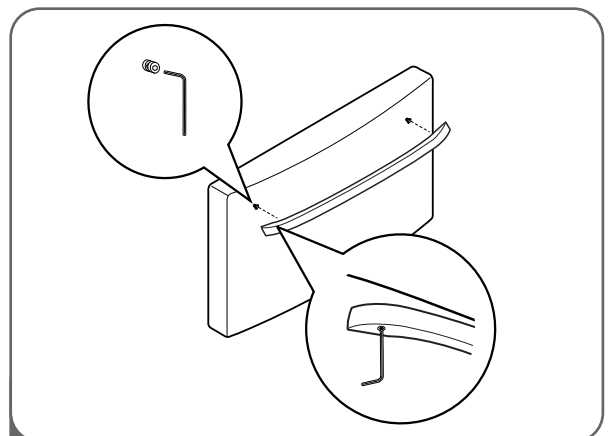
⚠ CAUTION

- Use special care when removing handles to prevent scratching the doors.
- The handle could be damaged if you hit it with a hammer while removing or attaching.
- When you assemble or disassemble a handle, you must push or pull with reasonable force.



- 1 Loosen the set screws with a 2.5 mm (3/32") Allen wrench and remove the handle.

NOTE: If the handle mounting fasteners need to be tightened or removed, use a 1/4" Allen wrench.



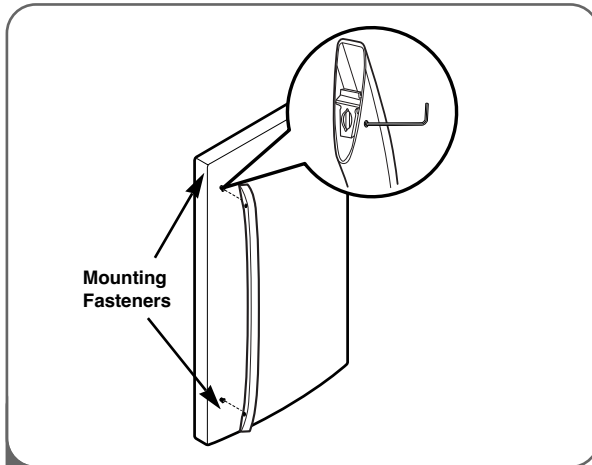
- 2 Loosen the set screws located on the lower side of the handle with a 3.1 mm (1/8") Allen wrench and remove the handle.

NOTE: If the handle mounting fasteners need to be tightened or removed, use a 1/4" Allen wrench.

INSTALLATION

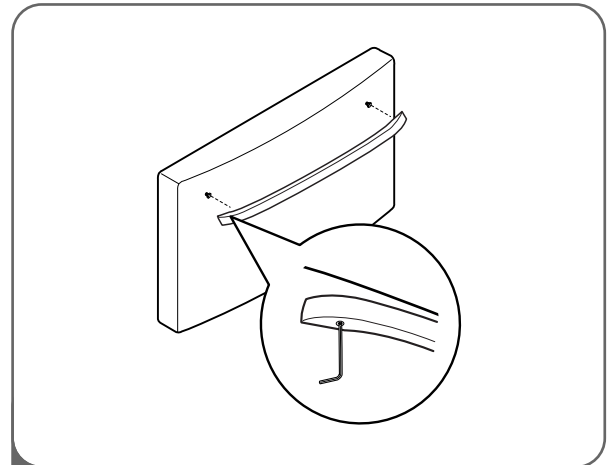
HANDLE REMOVAL (CONT.)

HANDLE REINSTALLATION



- 1 Place the handle on the door by aligning handle footprints to fit mounting fasteners and tighten the set screws with a 2.5 mm (3/32") Allen wrench.

NOTE: If the handle mounting fasteners need to be tightened or removed use a 1/4" Allen wrench



- 2 Place the handle on the door by aligning handle footprints to fit mounting fasteners and tighten the set screws on the bottom of the handle with a 3.1 mm (1/8") Allen wrench.

NOTE: If the handle mounting fasteners need to be tightened or removed use a 1/4" Allen wrench.

REFRIGERATOR DOOR AND FREEZER DRAWER REMOVAL

REFRIGERATOR DOOR REMOVAL

⚠ WARNING

Electric Shock Hazard

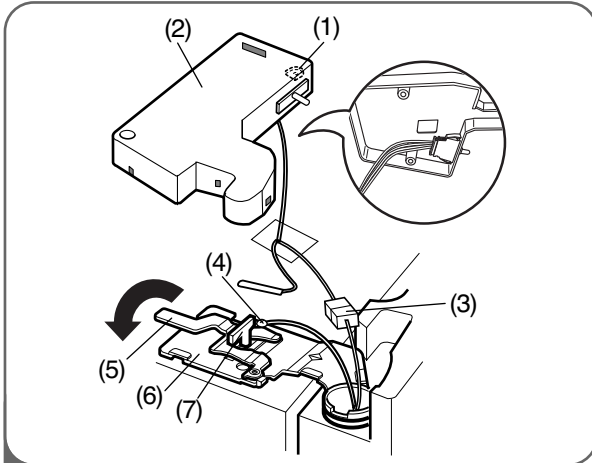
- Disconnect electrical supply to the refrigerator before installing. Failure to do so could result in death or serious injury.
- Do not put hands or feet or metal sticks into the air vents, base grille, or bottom of the refrigerator. You may be injured or receive an electrical shock.
- Be careful when you work with the hinge, base grille, and stopper. You may be injured.

Before you begin, remove food and bins from the doors.

If your entrance door is too narrow for the refrigerator to pass through, remove the refrigerator door and move the refrigerator sideways through the doorway.

REFRIGERATOR DOOR AND FREEZER DRAWER REMOVAL (CONT.)

REFRIGERATOR DOOR REMOVAL (CONT.)

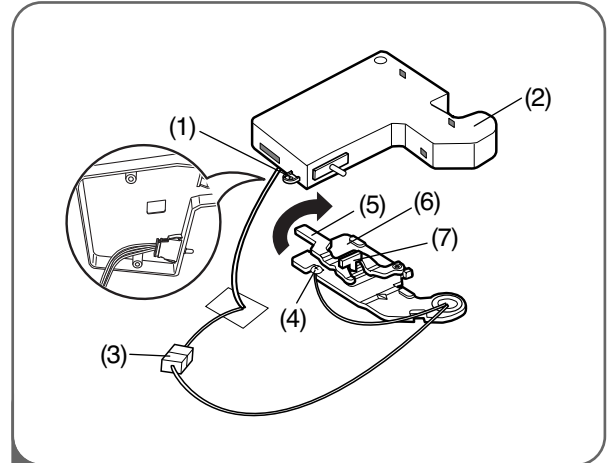


1 To remove the left refrigerator door:

- Open the door. Remove the top hinge cover screw (1).
- Use a flat blade screwdriver to lift the tabs on the front underside of the cover(2). Lift up the cover.
- Disconnect all the wire harnesses (3).
- Remove the grounding screw(4).
- Rotate hinge lever (5) counterclockwise. Lift the top hinge (6) free of the hinge lever latch (7).

IMPORTANT: When lifting the hinge free of the latch, be careful that the door does not fall forward.

- Lift the door from the middle hinge pin and remove the door.
- Place the door, inside facing up, on a non-scratching surface.



2 To remove the right refrigerator door:

- Open the door. Remove the top hinge cover screw (1).
- Use a flat blade screwdriver to lift the tabs on the front underside of the cover(2). Lift up the cover.
- Disconnect all the wire harnesses (3).
- Remove the grounding screw(4).
- Rotate hinge lever (5) clockwise. Lift the top hinge (6) free of the hinge lever latch (7).

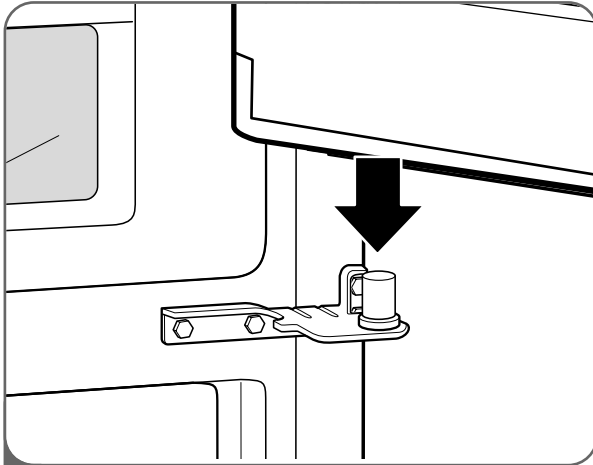
IMPORTANT: When lifting the hinge free of the latch, be careful that the door is heavy and may fall forward.

- Lift the door from the middle hinge pin and remove the door.
- Place the door, inside facing up, on a non-scratching surface.

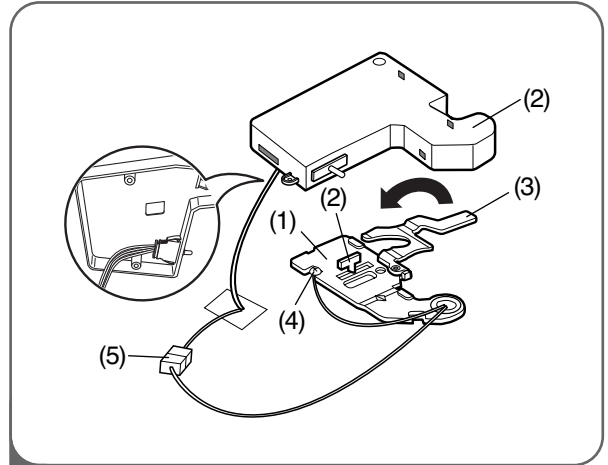
INSTALLATION

REFRIGERATOR DOOR AND FREEZER DRAWER REMOVAL (CONT.)

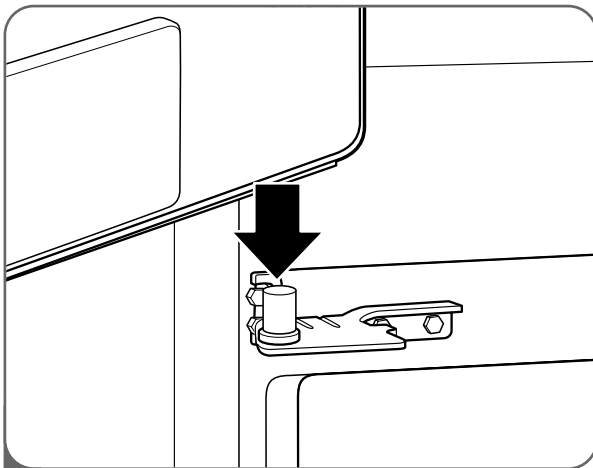
REFRIGERATOR DOOR REINSTALLATION



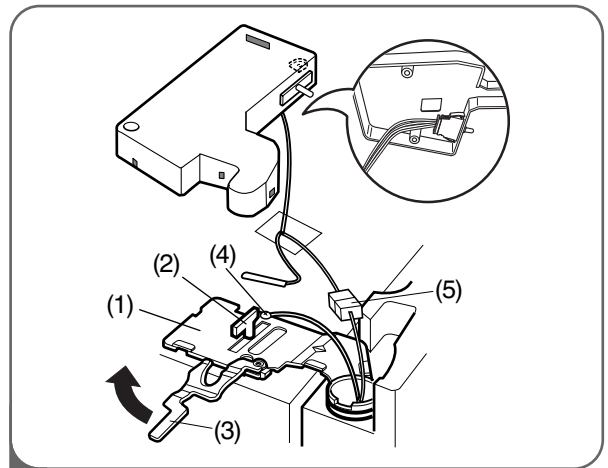
- 1 Install the right-side door first.
- Lower the door onto the middle hinge pin as shown.
 - Make sure the plastic sleeve is inserted in the bottom of the door.



- 2
- Fit the top hinge (1) over the hinge lever latch (2) and into place. Rotate the lever (3) counterclockwise to secure the hinge.
 - Install the grounding screw (4) and connect all the wire harnesses (5).



- 3 Install the left-side door.
- Lower the door onto middle hinge pin.



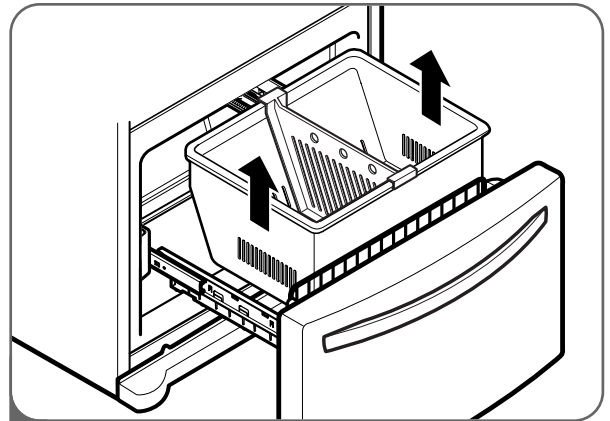
- 4
- Fit the top hinge (1) over the hinge lever latch (2) and into place. Rotate the lever (3) clockwise to secure the hinge.
 - Install the grounding screw (4) and connect all the wire harnesses (5).

REFRIGERATOR DOOR AND FREEZER DRAWER REMOVAL (CONT.)

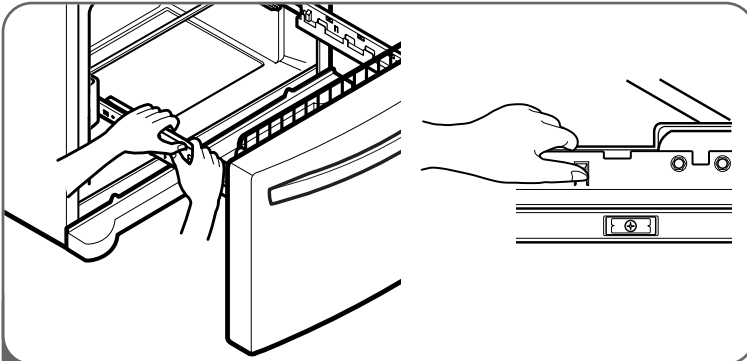
FREEZER DRAWER REMOVAL

⚠ CAUTION

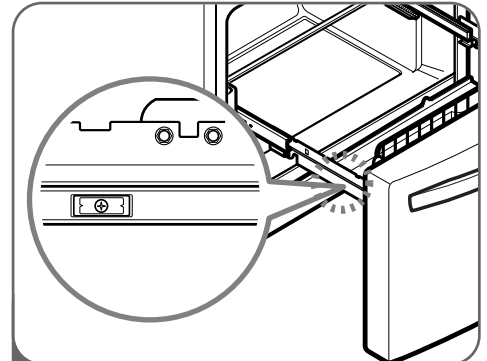
- Care should be taken to avoid product or property damage when removing the freezer door. It may be necessary to have assistance with the following instructions.
- To avoid damage do not hold the handle when removing the door. It could come off and cause injury.



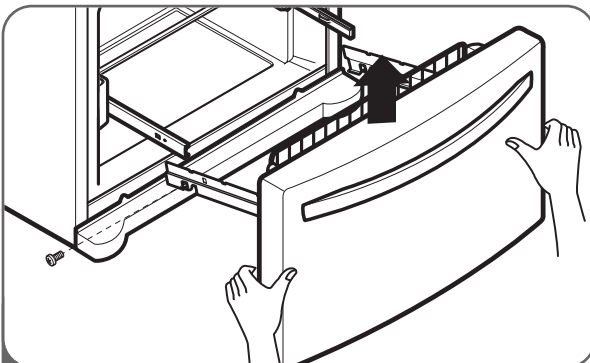
- 1 To remove the freezer drawer, pull the drawer open to full extension. Remove the lower DuraBase® basket by lifting the basket from the rail system.



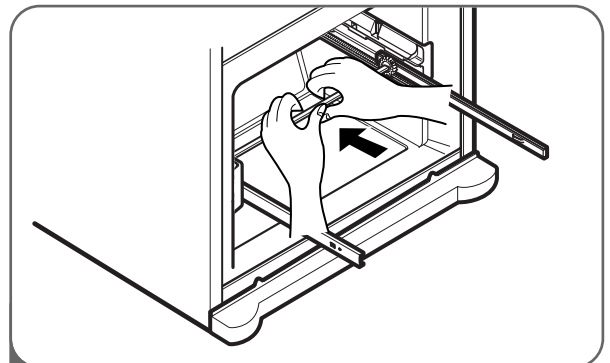
- 2 Separate the left and right rail cover



- 3 Remove the screws of the rail on both sides.



- 4 With both hands, hold both sides of the door and pull it up to separate it from the rails.



- 5 With both hands, flex the center bar enough to allow the gears on both ends to release from the track.

⚠ CAUTION: When you remove the drawer, do not hold the handle. If it may come off and it could cause personal injury.

⚠ CAUTION: When placing the drawer on the floor, care should be taken to avoid floor damage.

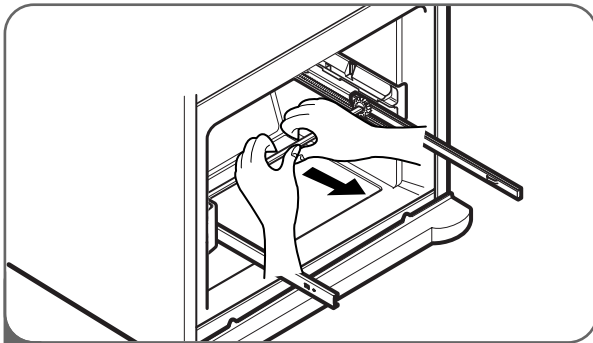
INSTALLATION

REFRIGERATOR DOOR AND FREEZER DRAWER REMOVAL (CONT.)

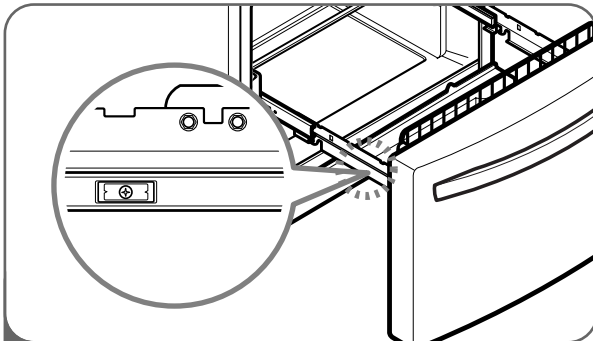
FREEZER DRAWER REINSTALLATION

⚠ CAUTION

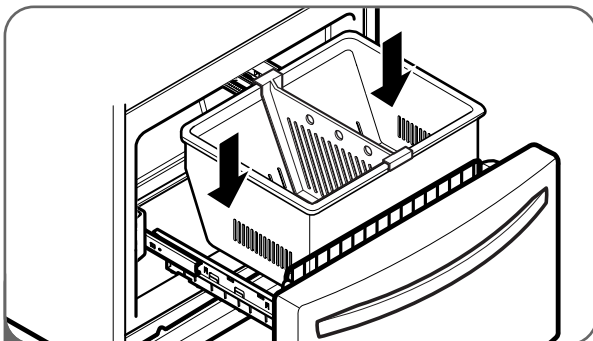
- To avoid possible injury or product or property damage, you will need two people to perform the following instructions. It may be necessary to have assistance with the following instructions.



- 1 To reinstall the freezer drawer, hold the center bar with both hands and pull it out until both rails are fully extended.



- 3 Lower door into final position and tighten the screws (3). Make sure you have a right rail cover for each side.

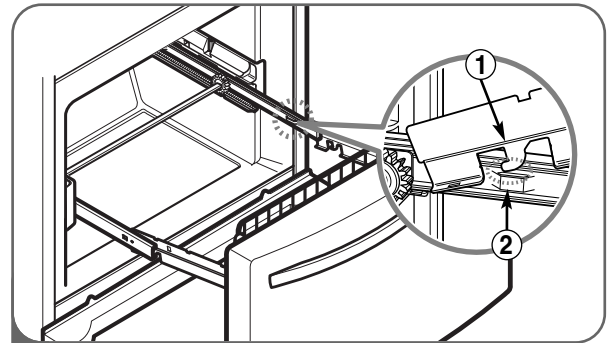


- 5 With the drawer pulled out to full extension, insert the lower basket in the rail assembly.

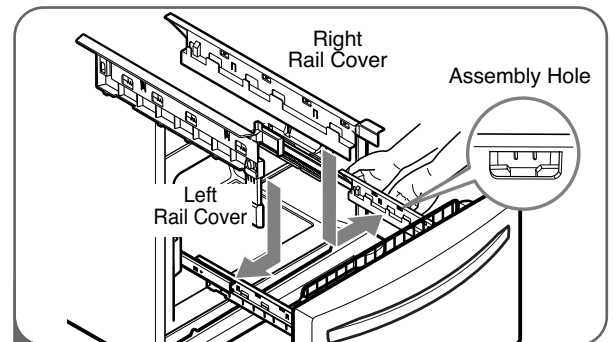
⚠ WARNING

Risk of Child Entrapment

- To prevent accidental child and pet entrapment or suffocation risk, DO NOT allow them to play inside of the freezer drawer.
- DO NOT step or sit on the freezer drawer.



- 2 Hook door supports (1) into rail tabs (2).



- 4 Align the top holes of the rail cover with the top holes of the door supports to assemble the rail covers.

⚠ **WARNING:** To prevent accidental child and pet entrapment or suffocation risk. DO NOT allow them to play inside of drawer.

⚠ **WARNING:** DO NOT step or sit down on freezer.

LIGHT REPLACEMENT

To Change Refrigerator Light

This model has special LED interior lighting and service should be performed by a qualified technician.

⚠️ WARNING

Electrical Shock Hazard

Before replacing a burned-out light bulb, either unplug the refrigerator or turn off power at the circuit breaker or fuse box.

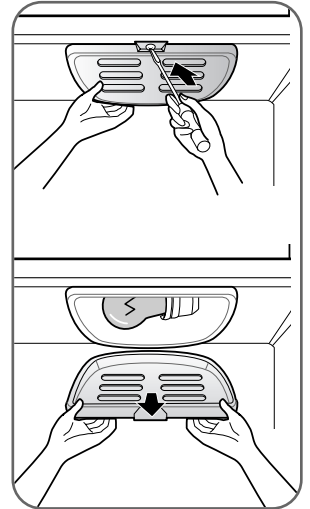
NOTE: Moving the control to the OFF position does not remove power to the light circuit.

NOTE:

- Not all appliance bulbs will fit your refrigerator. Be sure to replace the bulb with one of the same size, shape and wattage.
- The light bulbs will turn off if door is left open for seven continuous minutes. Shutting door for one second will light bulbs to come back on.

To Change Freezer Light

1. Unplug refrigerator power cord from outlet.
2. Use a screwdriver to remove the cover screw. (Save the cover screw)
3. Using a flat instrument, gently pry the lamp cover loose in the front as shown. Rotate downward to remove the rear tabs.
4. Make sure the bulb is cool to the touch. Turn the bulb counterclockwise to remove.
5. Replace with a new 60-watt appliance bulb.
6. Insert tabs on back of cover into slots in freezer ceiling. Push cover up to snap front into place.
7. Use a screwdriver to assemble the cover screw.



⚠️ CAUTION

- DO NOT place fingers inside of cover. Lamp may be hot.

INSTALLATION

CONNECTING THE WATER SUPPLY

⚠ WARNING

Connect to safe drinking water supply only.

- The water pressure must be between 20 and 120 p.s.i. (1.4~8.4 kgf/cm²) on models without a water filter and between 43 and 121 p.s.i. (3~8.5 kgf/cm²) on models with a water filter.
- If water pressure does not reach 20 psi (1.4 kgf/cm²) or falls below, it is necessary to purchase a separate pressure pump for normal automatic icemaker and water dispensing operation.
- It is recommended that the total length of the water feed tube does not exceed 26 ft. (8 m).
- Install the water supply line where it will not be affected by heat.
- If a **reverse osmosis water filtration system** is connected to your cold water supply, This water line installation is not warranted by the refrigerator or icemaker manufacturer. Follow next instructions carefully to minimize the risk of expensive water damage.
- If a **reverse osmosis water filtration system** is connected to your cold water supply, the water pressure to the reverse osmosis system needs to be a minimum of 40 to 60 psi (2.8 kgf/cm² ~ 4.2 kgf/cm², less than 2.0~3.0sec to fill a cup of 7oz capacity).
If the water pressure from the reverse osmosis system is less than 20 psi (1.4 kgf/cm², more than 4.0sec to fill a cup of 7oz capacity):
- Check to see whether the sediment filter in the reverse osmosis system is blocked. Replace the filter if necessary.
- Allow the storage tank on the reverse osmosis system to refill after heavy usage.
- If the issue about water pressure from reverse osmosis remains, call a licensed, qualified plumber.

IMPORTANT: Read all directions thoroughly before you begin.

- If operating the refrigerator before installing the water connection, turn the icemaker to the OFF position to prevent operation without water.
- All installations must be in accordance with local plumbing code requirements.
- Use copper tubing and check for leaks.
- Install tubing only in areas where temperatures will remain above freezing.
- It may take up to 24 hours for the icemaker to begin producing ice.

Tools Required

- Standard screwdriver
- 7/16-in. and 1/2-in. open-end wrenches or two adjustable wrenches
- 1/4-in. nut driver
- 1/4-in. drill bit
- Hand drill or electric drill (properly grounded)

NOTE: Refrigerator dealers offer a kit with a 1/4-in. saddle-type shutoff valve, a union, and copper tubing. Before purchasing, make sure a saddle-type valve complies with local plumbing codes.

Do not use a piercing-type or 3/16-in. saddle valve which reduces water flow and clogs more easily.

NOTE: The Commonwealth of Massachusetts Plumbing Code 248CMR shall be adhered to.

Saddle valves are illegal and use is not permitted in Massachusetts. Consult with your licensed plumber.

Cold Water Supply

- The icemaker water valve contains a flow washer which is used as a water pressure regulator.
- The icemaker needs to be connected to a cold water line with water pressure between 20~120 psi (1.4~8.4 kgf/cm²) on models without a water filter and between 43 and 121 p.s.i. (3~8.5 kgf/cm²) on models with a water filter.

CONNECTING THE WATER LINES

IMPORTANT: Before connecting the tubing to the water line, unplug the refrigerator or disconnect the power.

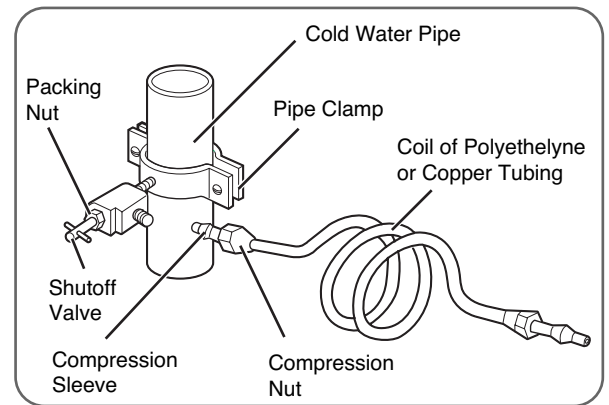
- Turn off the main water supply and open the nearest faucet to relieve pressure in the line. Opening an outside faucet may help drain water from the line in the house.
- Find a 1/2-in. vertical COLD water pipe near the refrigerator.

NOTE: A horizontal pipe will work, but the following precaution must be taken: drill on the top of the pipe, not the bottom. This will help keep water away from the drill and also keep normal sediment from collecting in the valve.

- To determine the length of copper tubing you will need, measure from the connection on the lower left rear of the refrigerator to the water pipe. Add 7 ft. (2.1 m) to allow for moving the refrigerator for cleaning. Use 1/4-in. O.D. (outside diameter) copper tubing. Be sure both ends of the copper tubing are cut square.
- Using a drill, drill a 1/4-in. hole in the cold water pipe you have selected.
- Fasten the shutoff valve to the cold water pipe with the pipe clamp. Be sure the outlet end is solidly in the 1/4-in. drilled hole in the water pipe and the washer is under the pipe clamp. Tighten the packing nut. Tighten the pipe clamp screws carefully and evenly so the washer makes a watertight seal.

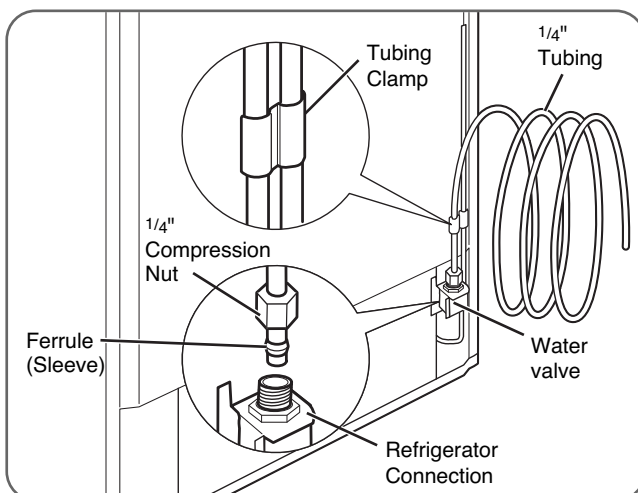
Do not overtighten or you may crush the copper tubing, especially if soft (coiled) copper tubing is used. Now you are ready to connect the copper tubing.

- Slip the compression sleeve and the compression nut onto the copper tubing as shown. Insert the end of the tubing into the outlet end squarely as far as it will go. Screw the compression nut onto the outlet end with a wrench. A flare nut wrench works best, but an open-end wrench will suffice. Do not overtighten.
- Place the free end of the tubing into a container or sink, and turn on the main water supply. Flush out the tubing until the water is clear. Turn off the shutoff valve on the water pipe. Coil the copper tubing as shown below.



IMPORTANT: Before connecting the tubing to the refrigerator, be sure the refrigerator power cord is not plugged into the wall outlet.

NOTE: If your refrigerator is equipped with an internal water filter, an external in-line water filter should not be used.



- Remove the plastic flexible cap from the water valve.

- Place the compression nut and ferrule (sleeve) onto the end of the tubing as shown.
- Insert the end of the copper tubing into the connection as far as possible. While holding the tubing, tighten the fitting.

IMPORTANT: Tighten any connections that leak.

Open the water at the shutoff valve.

- Plug in the refrigerator.
- Arrange the coil of copper tubing behind the refrigerator so it does not vibrate against the back of the refrigerator or against the wall.
- Check for leaks.
- Before connecting the water line to house, purge the house line for 2 minute.

NOTE: It may take a few seconds for water to begin to flow as the internal tank fills and air clears from the lines.

- Push the refrigerator back to the wall.
- Set the icemaker switch to the ON position.

NOTE: The icemaker will not begin to operate until it reaches its operating temperature of 15°F (-9°C). It will then begin operation automatically.

NOTE: Throw away the first few batches of ice (about 20 pieces).

INSTALLATION

LEVELING THE REFRIGERATOR DOORS

⚠️ WARNING

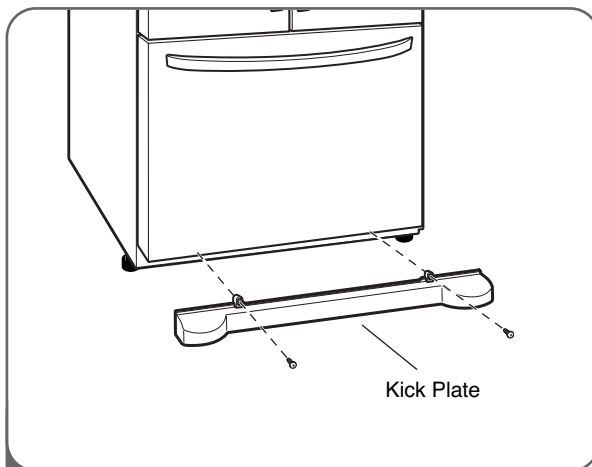
Electrical Shock Hazard

- Be careful when you work with the hinges, base grille, and stopper. You may be injured.
- Do not put hands, feet, or metal items into the air vents, base grille, or the bottom of the refrigerator. You may be injured or receive an electrical shock.

Leveling

After installing, secure the product with the LEGS so it does not move to the right or left.

Your refrigerator has two front leveling legs—one on the right and one on the left. Adjust the legs to alter the tilt from front to back or side to side. If your refrigerator seems unsteady or you want the doors to close more easily, adjust the refrigerator's tilt using the following instructions:



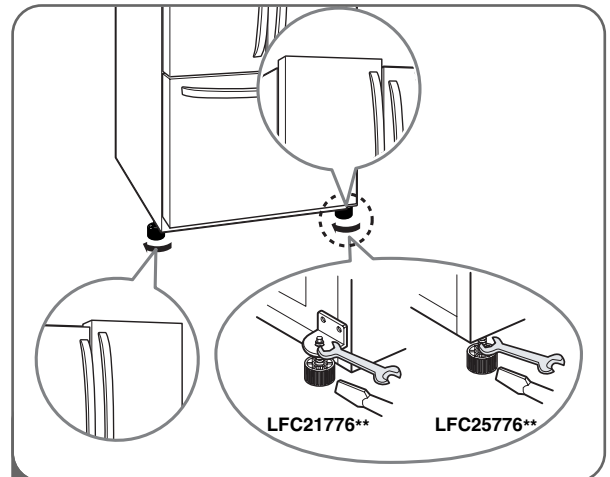
1 Plug the power cord into a 3-prong grounded outlet, and move the refrigerator into its final position. Remove the kick plate screws and then the kick plate.

- Open the Freezer Drawer.
- Once the drawer is open, there is sufficient clearance to remove the screws on top of the kick plate.

NOTE: To replace the kick plate, place it into position, and then insert and tighten the screws.

⚠️ CAUTION

- To avoid possible injury or product or property damage, you will need two people to perform the following instructions.



2 Level the refrigerator by using an 11/32 inch (8mm), 11/16 inch (18mm) wrench or a flat blade screw driver.

Turn the leveling legs (CCW) to raise or (CW) to lower the height of the front of the refrigerator.

NOTE: The front of the refrigerator should be slightly higher than the back.

NOTE: If someone pushes backward against the top of the refrigerator, weight is lifted off of the leveling legs, which makes adjustment easier.

Open both doors to make sure they close easily. If not, raise the leveling legs higher by turning both clockwise the same amount.

Once the refrigerator is level, replace the kick-plate.

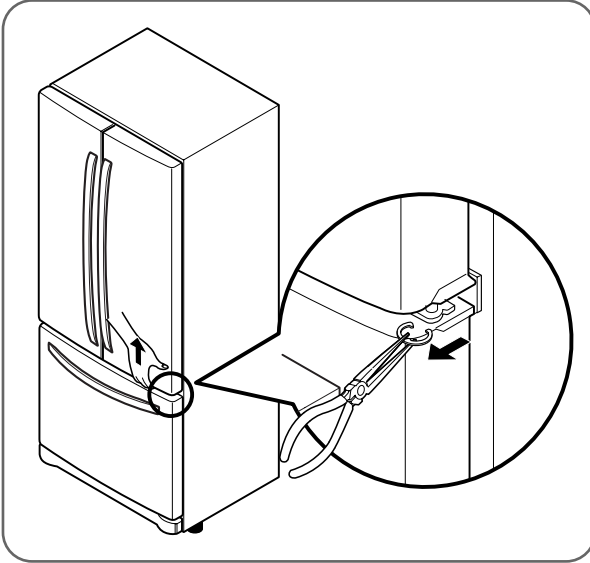
NOTE: Your new refrigerator is uniquely designed with two fresh food doors. Either door can be independently opened or closed.

You will have to exert slight pressure on the doors to close them completely.

NOTE: In order not to move the refrigerator back and forth, fix it with the 'Adjust' to the floor to install and use.

LEVELING THE REFRIGERATOR DOORS (CONT.)

DOOR ALIGNMENT



If the space between your doors is uneven, follow the instructions below to align the doors:

- With one hand, lift up the door you want to raise at middle hinge.
- With other hand, use pliers to insert snap ring as shown.
- Insert additional snap rings until the doors are aligned.
(Three snap rings are provided with unit.)

STARTING

Before loading your refrigerator with fresh foods:

- Remove tape and any temporary labels from your refrigerator before using. To remove any remaining adhesive residue, rub the area briskly with your thumb, or rub a small amount of liquid dish soap over the adhesive with your fingers. Wipe with warm water and dry. Do not use sharp instruments, rubbing alcohol, flammable fluids, or abrasive cleaners to remove tape or glue.

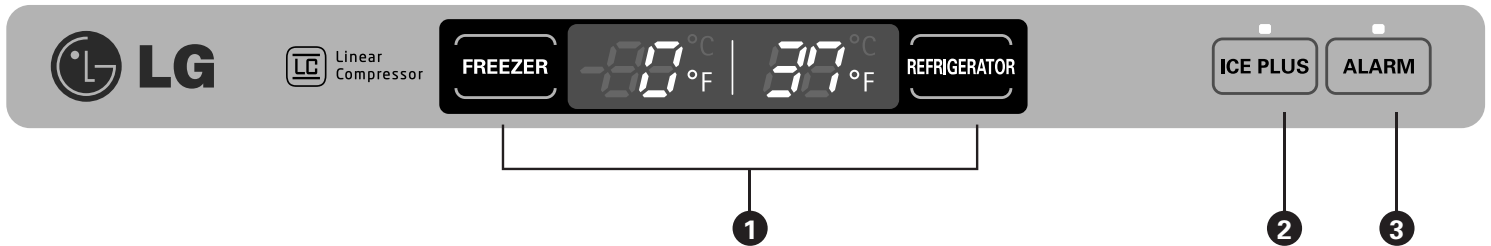
NOTE: Do not remove any warning-type labels, the model and serial number label, or the tech sheet that is taped to the back of the refrigerator.

- Thoroughly clean your refrigerator and wipe off all dust that may have accumulated during shipping.

- Install accessories such as the ice cube bin, drawers, and shelves, in their proper places. They are packed together to prevent possible damage during shipment.
- Adjust the desired temperature for the refrigerator and freezer (see Adjusting the Temperature and Functions).
- Let your refrigerator run for at least 2 or 3 hours before putting food in it. Check the flow of cold air in the freezer compartment to ensure proper cooling. Your refrigerator is now ready for use.

HOW TO USE


SETTING THE CONTROLS



1 TEMPERATURE




- Your refrigerator has a control pad inside the refrigerator compartment that lets you regulate the temperature in the freezer and refrigerator compartments.
- Initially set the refrigerator control at 37°F (3°C) and the freezer control at 0°F (-18°C). Leave it at these settings for 24 hours (one day) to stabilize. Then adjust the compartment temperature as desired.
- Refrigerator Temp Control: 33°F to 46°F (0°C to 8°C)
The lower the number setting, the colder the refrigerator compartment will become.
- Freezer Temp Control: -6°F to 8°F (-21°C to -13°C)
When the setting is at a lower number, the freezer compartment becomes colder. The refrigerator compartment becomes warmer because less cold air flows into the refrigerator.

2 ICE PLUS

- When you press the ICE PLUS button, the graphic [] will light up in the display and it continues for 24 hours. It will automatically shut off after 24 hours have passed.
Or you can stop this function manually by pressing the button one more time.
- This function increases both icemaking and freezing capabilities.

NOTE: If you want to change °F to °C, press and hold FREEZER key and REFRIGERATOR key over 5 seconds at the same time. and if you want to change °C to °F, hold them for 5 seconds again.

3 ALARM

- When the power is connected to the refrigerator, door alarm is initially set ON and door alarm display will show [] (ON).
- When either refrigerator or the freezer door is left open for more than 60 seconds, the alarm will ding to let you know the door is open.
- When you close the door, the door alarm will stop dinging.
- If you want to disable the door alarm function, press [] button then the door alarm display will switched to [] (OFF).

⚠ CAUTION

Display mode setting and its cancellation

- With the refrigerator door open, keep pressing the REFRIGERATOR Button and ICE PLUS Button more than 5 seconds, then it goes to the display mode with Special Beep Sound with special beep sound.
- Perform the same way again to cancel the display mode.
- All freezing unit will be turned off at display mode (Exceptions: Lamp, Display)

AUTOMATIC ICEMAKER

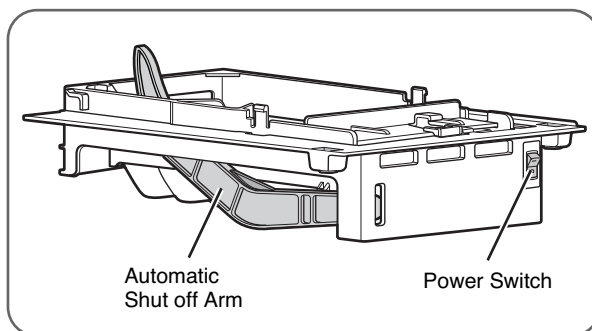
⚠️ WARNING

Personal Injury Hazard

- DO NOT insert your hands in to the Icemaker in operation. It may cause to injure you.

Operation instructions

A newly-installed refrigerator may take 12 to 24 hours to begin making ice.



The icemaker will produce 12 cubes per cycle—approximately 90-130 cubes in a 24-hour period, depending on freezer compartment temperature, room temperature, number of door openings and other operating conditions.

If the refrigerator is used before the water connection is made to the icemaker, set the power switch to O (off).

When the refrigerator has been connected to the water supply, set the power switch to I (on).

The icemaker will fill with water when it cools to freezing.

A newly-installed refrigerator may take 12 to 24 hours to begin making ice cubes.

Throw away the first few batches of ice to allow the water line to clear.

Be sure nothing interferes with the sweep of the Automatic Shut off Arm.

When the bin fills to the level of the Automatic Shut off Arm, the icemaker will stop producing ice.

It is normal for several cubes to be stuck together.

If ice is not used frequently, old ice cubes will become cloudy, taste stale, and shrink.

NOTE: If the cube size is smaller or larger than you expected, you can regulate the size with the cube size button.

Every time you press the cube size button, the indicator moves up one light. The higher the light position, the larger the cubes will be. Pressing at the highest position returns the indicator to the lowest position.

When you should set the icemaker power switch to O(off)

- When the water supply will be shut off for several hours.
- When the ice storage bin is removed for more than a minute or two.
- When the refrigerator will not be used for several days.

Normal sounds you may hear

- The icemaker water valve will buzz as the icemaker fills with water. If the power switch is in the I (on) position, it will buzz even if it has not yet been hooked up to water.

To stop the buzzing, move the power switch to O (off).

NOTE: Keeping the power switch in the I (on) position before the water line is connected can damage the icemaker.

- You will hear the sound of cubes dropping into the bin and water running in the pipes as the icemaker refills.

Preparing for vacation

Set the icemaker power switch to O (off) and shut off the water supply to the refrigerator.

If the ambient temperature will drop below freezing, have a qualified servicer drain the water supply system to prevent serious property damage due to flooding from ruptured water lines or connections.

HOW TO USE

STORING FOODS

- Store fresh food in the refrigerator compartment.
- How food is frozen and thawed is an important factor in maintaining freshness and flavor.
- Do not store food that spoils easily, such as bananas and melons, at low temperatures.
- Allow hot food to cool prior to storing; placing hot food in the refrigerator could spoil other food and lead to higher energy consumption.
- When storing food, cover it with vinyl wrap or store in a container with a lid. This prevents moisture from evaporating and helps food to keep its flavor and nutrition.
- Do not block air vents with food or containers. Smooth circulation of chilled air keeps the refrigerator temperatures even.
- Do not open the doors frequently. Opening the doors allows warm air to enter the refrigerator and freezer compartments, which causes temperatures to rise.
- Never overload the door racks; overloading may push against the inner racks and prevent the doors from closing correctly.

Freezer compartment

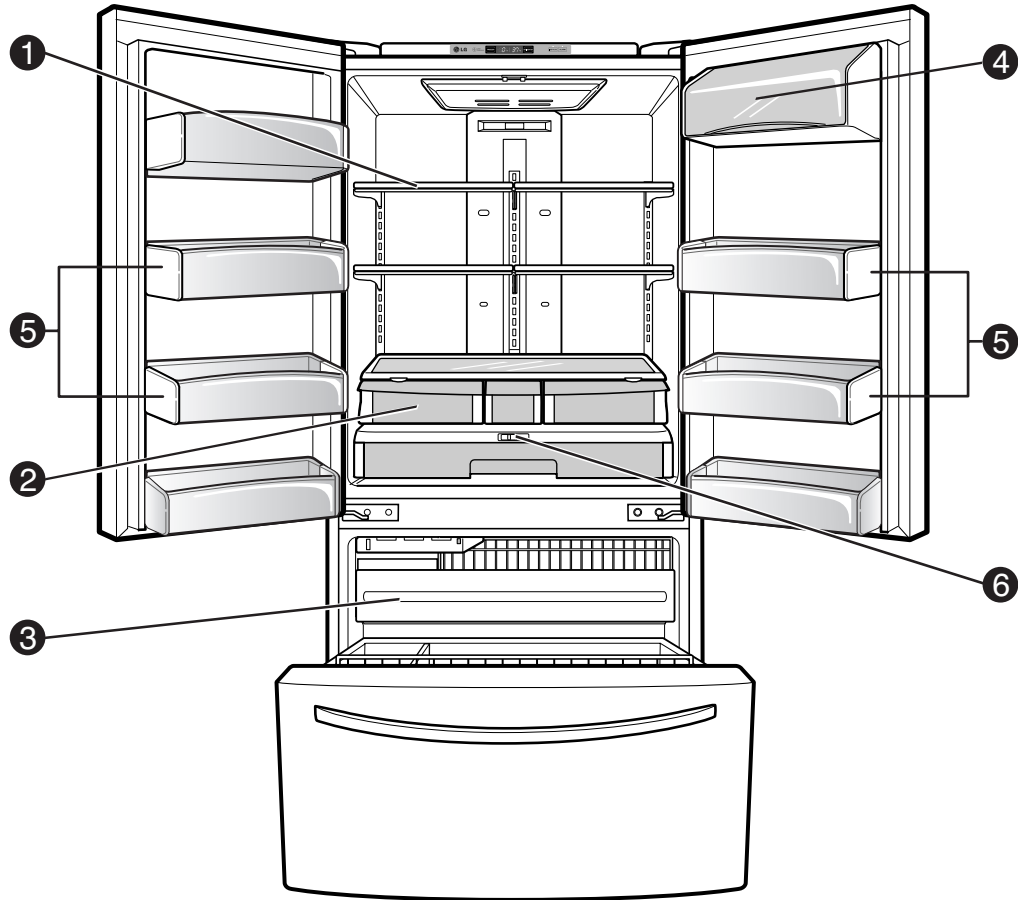
- Do not store glass bottles in the freezer compartment; glass may break when the contents are frozen.
- Do not refreeze food that has been thawed. This causes loss of flavor and nutrition.
- Do not touch cold foods or containers, especially those made of metal, with wet hands or place glass products in the freezer compartment.
- Do not use the egg box as an ice bin in the freezer. The egg box will break easily if it freezes.

Refrigerator compartment

- Avoid placing moist food on the top refrigerator shelves; it could freeze from direct contact with chilled air.
- Always clean food prior to refrigeration. Vegetables and fruits should be washed and wiped and packed food should be wiped to prevent adjacent food from spoiling.

NOTE: If you keep the refrigerator in a hot and humid place, frequent opening of the door or storing a lot of vegetables in the refrigerator may cause condensation to form. Wipe the condensation with a clean cloth or a paper towel.

LOCATION OF FOODS



1 REFRIGERATOR COMPARTMENT SHELVES

Store larger food items, platters, and containers on the expansive refrigerator compartment shelves.

2 CRISPERS

Store vegetables or fruits with humidity control.

3 FREEZER PULL-OUT DRAWER

Store small packed frozen food, or store meat, fish, and chicken after wrapping them with thin foil. Store dry.

4 DAIRY CORNER

Store milk products such as butter and cheese.

5 GALLON STORAGE BINS

Store small packed food or beverages such as condiments, salad dressings, baby foods, milk, or juice.

6 GLIDE 'N' SERVE

Provides storage space with a variable temperature control that keeps the compartment colder than refrigerator.

HOW TO USE

SHELF HEIGHT ADJUSTMENT

The shelves in your refrigerator are adjustable to meet your individual storage needs.

Storing similar food items together in your refrigerator and adjusting the shelves to fit different heights of items will make finding the exact item you want easier; it will also reduce the amount of time the refrigerator door is open, saving energy.

IMPORTANT: Do not clean glass shelves with warm water when they are cold. Shelves may break if exposed to sudden temperature changes or impact, such as bumping. For your protection, glass shelves are made with tempered glass, which will shatter into small, pebble-sized pieces.

NOTE: Glass shelves are heavy. Use special care when removing them to avoid dropping them.

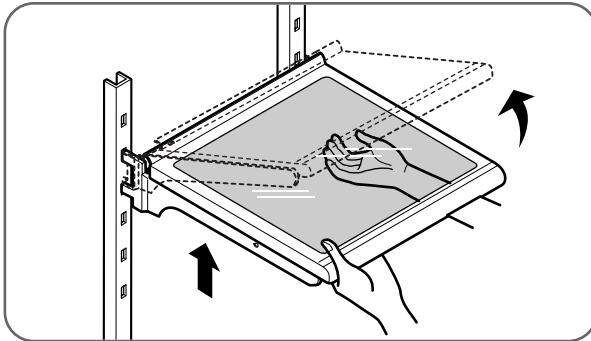
Adjusting Shelves

Remove shelves from the shipping position and place shelves in the position you want.

⚠ CAUTION

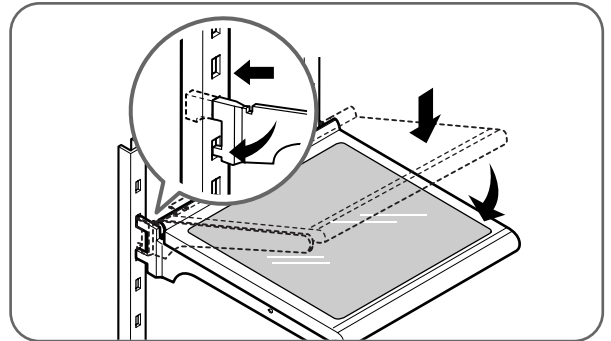
Make sure that shelves are level from one side to the other. Failure to do so may result in the shelf's falling or spilling food.

Remove Shelf



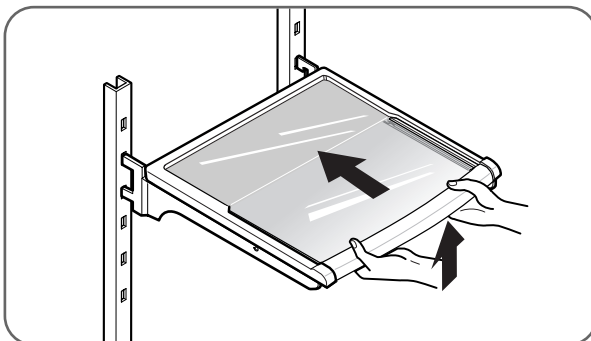
Tilt up the front of the shelf. Lift up the back and pull out the shelf.

Reinstall Shelf



Tilt up the front of the shelf and guide the shelf hooks into the slots at a desired height. Then lower the front of the shelf so that the hooks drop into the slots.

Folding Shelf



You can store taller items such as a gallon container or bottles by simply pushing the front half of shelf underneath back half of shelf. Pull toward you to return to a full shelf.

REMOVING AND REPLACING COMPONENTS

NOTE: When reinstalling components, reverse the order of steps for removal. To prevent damage, never use excessive force when removing or reinstalling components.

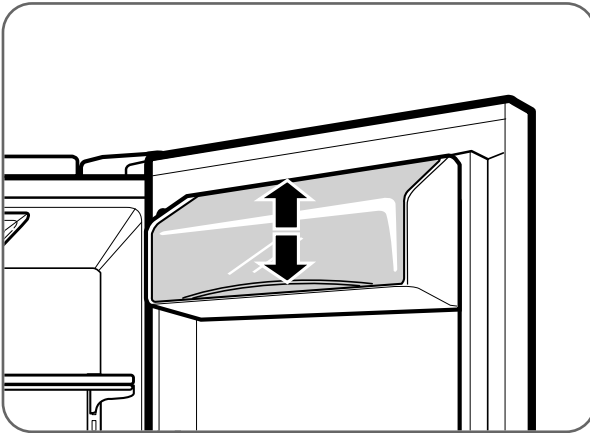
⚠ CAUTION

- Personal injury can occur if the door bins are not firmly assembled.

NOTE: DO NOT adjust a loaded bin.

- DO NOT allow children to play with baskets. The sharp corners on the baskets could cause injury.

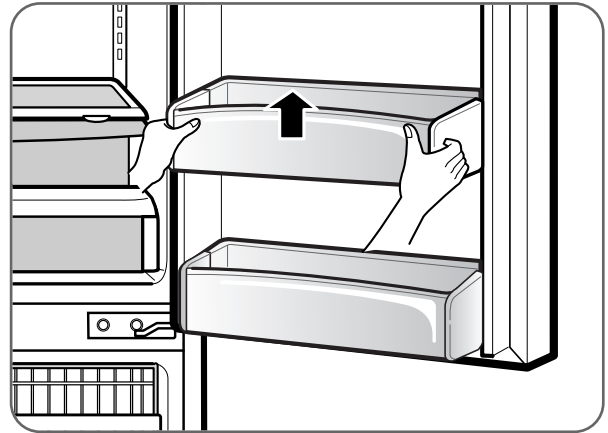
Dairy Bin



To remove the dairy bin, simply lift it and pull straight out. To replace the dairy bin, slide it into place and push down until it stops.

NOTE: The dairy bin will only fit in the top space on the right-hand door.

Gallon Storage Bins

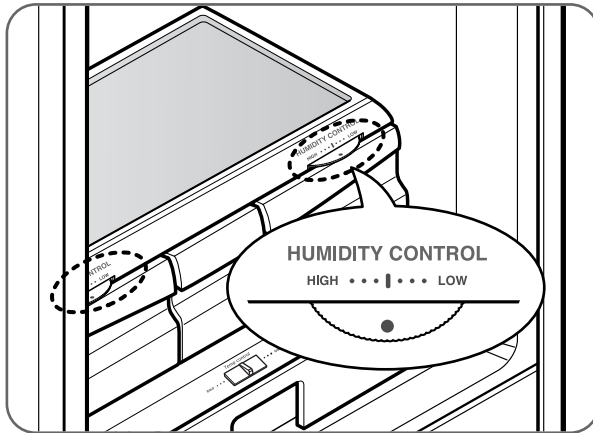


The door bins are removable for easy cleaning and adjusting. Simply lift the bin and pull it straight out to remove it. To replace the bin, slide it in above the desired support button and push down until it stops.

HOW TO USE

REMOVING AND REPLACING COMPONENTS (CONT.)

Crisper humidity control

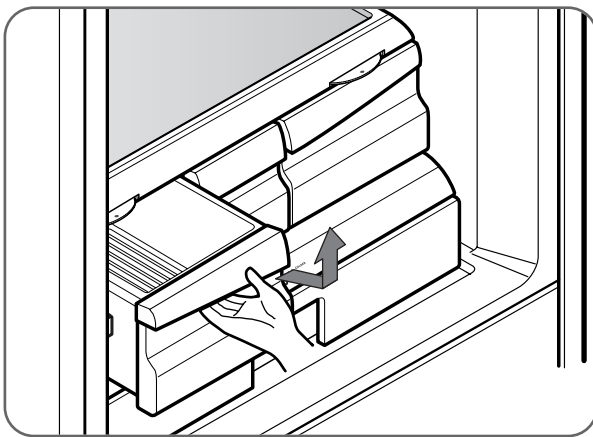


You can control the amount of humidity in the moisture-sealed crispers. Store vegetables or fruits requiring more or less humidity in separate crispers. Adjust the control to any setting between HIGH and LOW.

- LOW lets moist air out of the crisper for best storage of fruits.
- HIGH keeps moist air in the crisper for best storage of fresh, leafy vegetables.

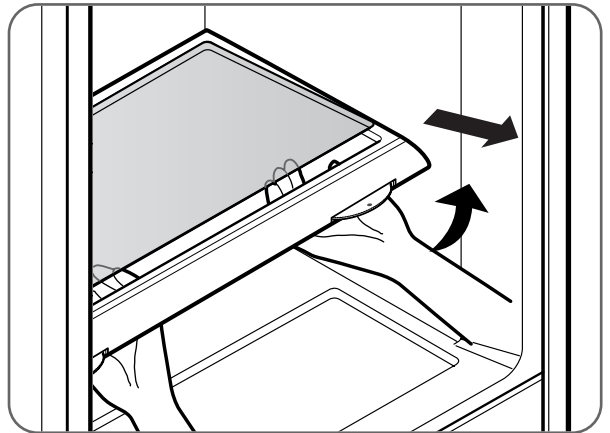
CAUTION : The glass shelf over the crisper is not firmly secured. Be careful when tilting.

Removing crisper



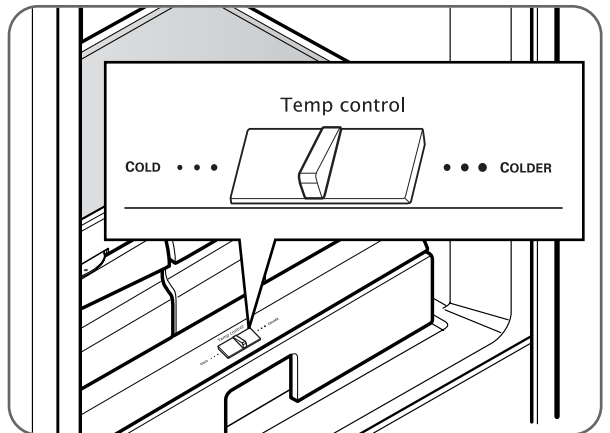
- To remove, pull the drawer out to full extension.
- Lift the front of the crisper up, then pull it straight out.
- To install, slightly tilt up the front and insert the drawer into the frame and push it back into place.

To remove the glass



- Lift up the glass under the crisper cover.
- Pull the glass up and out.

Glide'N'Serve



The Glide'N'Serve provides storage space with a variable temperature control that keeps the compartment colder than refrigerator.

This drawer can be used for large party trays, deli items, or beverages. (but this drawer can't be used for vegetable.)

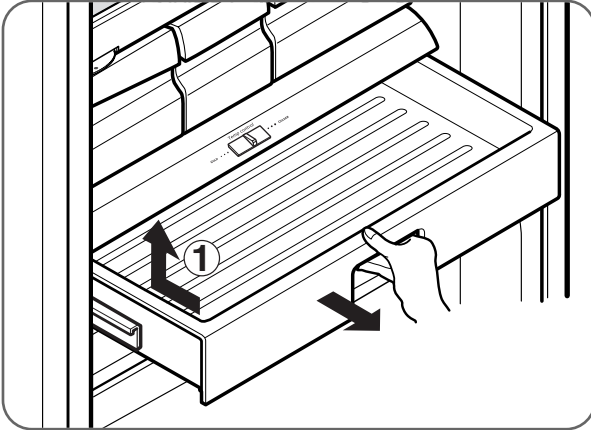
Controls

The control regulates the air temperature in the drawer. Set control level to COLD (print on surface) to provide normal refrigerator temperature. Use the COLDER (print on surface) setting for meats or other deli items.

NOTE: Cold air directed to the Glide'N'Serve can decrease refrigerator temperature. Refrigerator control may need to be adjusted.

REMOVING AND REPLACING COMPONENTS (CONT.)

To replace Glide'N'Serve



- To remove, pull the drawer out to full extension.
- Lift the front of the drawer up, then pull it straight out.
- To install, slightly tilt up the front and insert the drawer into the frame and push it back into place.

⚠ CAUTION

- When you close the refrigerator door with GLIDE'N'SERVE DRAWER opened, that the drawer could be broken.

NOTE: Removing the fixed door bin is recommended to reduce the risk of door bin scratches.

⚠ CAUTION

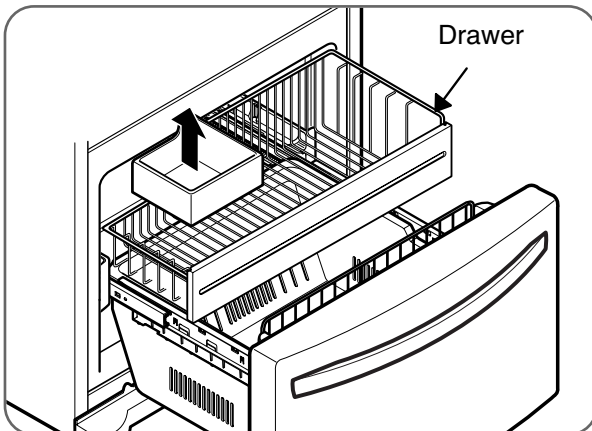
- Pinch hazard! Keep hands and feet clear of the bottom of the door when opening and closing.

⚠ WARNING

Child Entrapment Hazard

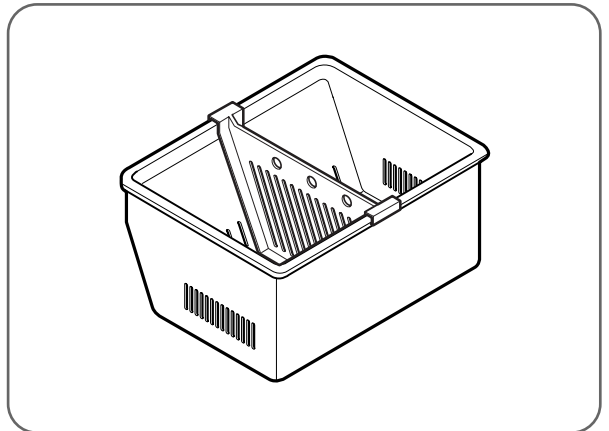
- If the DuraBase divider is removed, there is enough open space for children or pets to crawl inside. To prevent accidental child and pet entrapment or suffocation risk, DO NOT allow them to play inside of drawer.

Ice Bin



To separate the ice bin, pull out the drawer to full extension. Gently lift and pull out the ice bin. To reinstall, simply set the ice bin in its correct position.

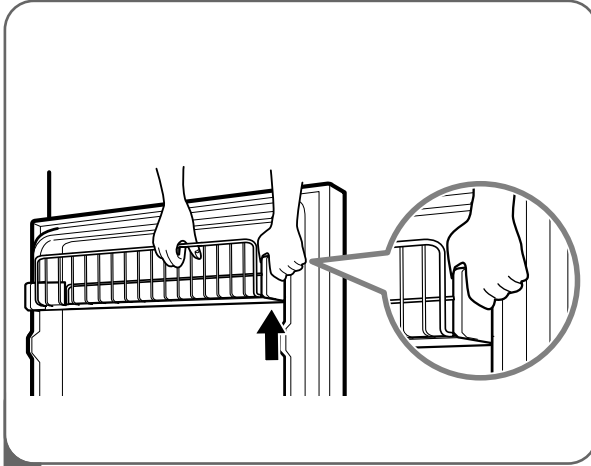
DuraBase® Divider



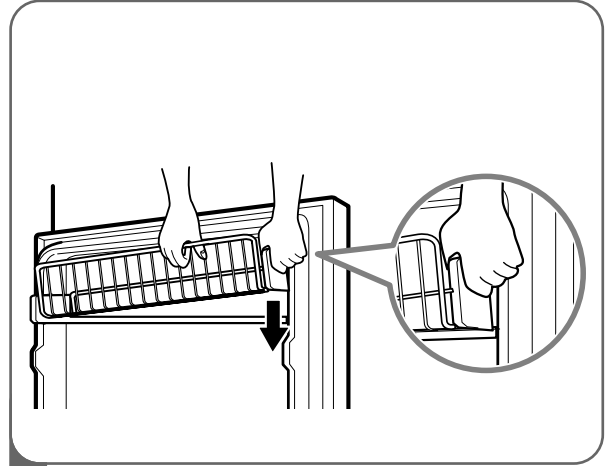
HOW TO USE

REMOVING AND REPLACING COMPONENTS (CONT.)

Tilt-Out Door Basket (LFC25776**)



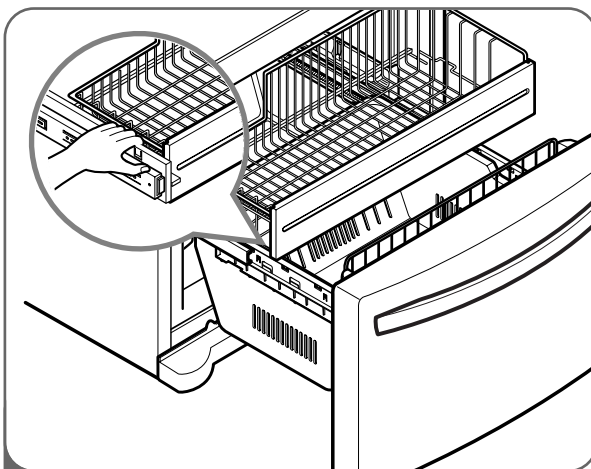
- 1 To remove the tilt-out door basket, press in on the end bracket, then pull up on the end of the basket to remove.



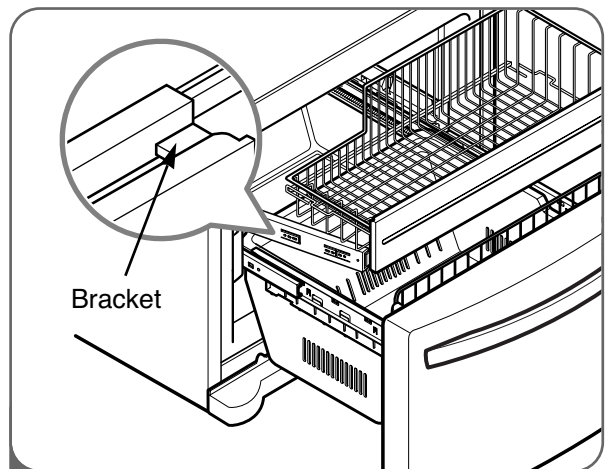
- 2 To replace the tilt-out door basket, insert the bracket into one side and hook one end of the basket into the bracket. Next, hook the other basket end into the other bracket and push the bracket downward into place.

NOTE: Be sure the back of the basket is positioned behind the retention tab on each bracket.

Pull-Out Drawer



- 1 To remove the drawer, push the tabs located on the front inside surface of each rail. Next, gently lift the rear left and right sides of the drawer and pull it out.



- 2 To reinstall, pull out both rails to full extension. Insert the end of rib in the bracket at left and right. Making sure that the guides at the front are lined up properly, gently push down on both sides.

CLEANING THE REFRIGERATOR

⚠️ WARNING

Explosion Hazard

- Use nonflammable cleaner.
- Failure to do so can result in death, explosion, or fire.

Both the refrigerator and freezer sections defrost automatically. However, clean both sections about once a month to prevent odors. Wipe up spills immediately.

- Unplug the refrigerator.
- Remove all removable parts, such as shelves and crispers.
- Use a clean sponge or soft cloth and a mild detergent in warm water. Do not use abrasive or harsh cleaners.
- Hand wash, rinse, and thoroughly dry all surfaces.
- Plug in the refrigerator.

NOTE: Window sprays, abrasive cleaners, or flammable fluids can scratch or damage plastic covers or panels.

Cleaning the Exterior

For models with a stainless steel exterior, use a commercially available stainless steel cleaner in accordance with the manufacturer's instructions.

You may also use a clean sponge or soft cloth and a mild detergent in warm water. Do not use abrasive or harsh cleaners. Dry thoroughly with a soft cloth.

IMPORTANT: Do not use cleaning waxes, concentrated detergents, or cleaners containing petroleum on plastic refrigerator parts such as door liners or gaskets.

Care and Cleaning of the Interior

NOTE: Allow the freezer to warm so the cleaning cloth will not stick.

To help remove odors, you can wash the inside of the refrigerator with a mixture of baking soda and warm water. Mix 2 tbsp. baking soda to 1 qt. of water (26 g soda to 1 L of water). Be sure the baking soda dissolves completely so it does not scratch the surfaces of the refrigerator.

IMPORTANT: Do not use a spray nozzle to clean the interior.

GENERAL INFORMATION

Storage

During average-length vacations, you will probably find it best to leave the refrigerator in operation. Place freezable items in the freezer for longer life.

When you plan to store the refrigerator, remove all food, disconnect the power cord, clean the interior thoroughly, and block the doors open to prevent mold and mildew. Be certain the stored refrigerator does not present a child entrapment danger.

Moving

Unload the refrigerator to move it. (This is probably not necessary when pulling it out to clean behind it.) Be sure to let the refrigerator warm up to room temperature, and dry the inside before closing the doors to pack it for moving. To avoid damaging the height-adjusting screws, turn them all the way into the base.

Power Failure

Most power failures that are corrected within an hour or two will not affect your refrigerator temperatures. However, you should minimize the number of door openings while the power is off.

Water may drip from the ice bin during a power outage. To prevent this, remove the ice bin, discard all of the ice, towel dry, and replace.

TROUBLESHOOTING

BEFORE CALLING FOR SERVICE

Before calling for service, review this list. It may save you both time and expense. This list includes common occurrences that are not the result of defective workmanship or materials in this appliance.

Problem	Possible Causes	Solutions
Refrigerator compressor does not run.	<ul style="list-style-type: none"> • Refrigerator control is off. • Refrigerator is in defrost cycle. • Plug at the wall outlet is disconnected. • Power outage. Check house lights. 	<ul style="list-style-type: none"> • Set the refrigerator control. • This is normal for a fully automatic defrosting refrigerator. The defrost cycle occurs periodically. • Make sure the plug is tightly pushed into the outlet. • Call the local electric company.
Refrigerator compressor runs too frequently or too long.	<ul style="list-style-type: none"> • Refrigerator is larger than the previous one you owned. • The room or the outdoor weather is hot. • Refrigerator was recently disconnected for a while. • Large amounts of warm or hot food may have been stored recently. • Doors are opened too frequently or for too long. • Refrigerator or freezer door may be slightly open. • Refrigerator control is set too cold. • Refrigerator or freezer gasket is dirty, worn, cracked, or poorly fitted. 	<ul style="list-style-type: none"> • This is normal. Larger, more efficient units run longer. • It is normal for the refrigerator to work longer under these conditions. • It takes a few hours for the refrigerator to reach cooling temperatures. • Warm food will cause the refrigerator to run longer until the desired temperature is reached. • Warm air entering the refrigerator causes it to run more. Open the door less often. • Make sure the refrigerator is level. Keep food and containers from blocking the door. • Adjust the refrigerator control to a warmer setting until the refrigerator temperature is satisfactory. • Clean or change the gasket. Leaks in the door seal will cause the refrigerator to run longer in order to maintain desired temperatures.
Refrigerator compressor cycles on and off.	<ul style="list-style-type: none"> • The thermostat is keeping the refrigerator at a constant temperature. 	<ul style="list-style-type: none"> • This is normal. The refrigerator cycles on and off to keep the temperature constant.
Temperature in the freezer is too cold, but the refrigerator temperature is satisfactory.	<ul style="list-style-type: none"> • Freezer control is set too cold. 	<ul style="list-style-type: none"> • Adjust the freezer control to a warmer setting until the freezer temperature is satisfactory.
Temperature in the refrigerator is too cold, but the freezer temperature is satisfactory.	<ul style="list-style-type: none"> • Refrigerator control is set too cold. 	<ul style="list-style-type: none"> • Adjust the refrigerator control to a warmer setting.

BEFORE CALLING FOR SERVICE (CONT.)

Problem	Possible Causes	Solutions
Food stored in refrigerator drawers freezes.	<ul style="list-style-type: none"> • Refrigerator control is set too cold. 	<ul style="list-style-type: none"> • Adjust the refrigerator to a warmer setting.
Temperatures in the refrigerator or freezer are too warm.	<ul style="list-style-type: none"> • Freezer or refrigerator control is set too warm. • Doors are opened too frequently or for too long. • Door is slightly open. • Large amounts of warm or hot food may have been stored recently. • Refrigerator has recently been disconnected for a period of time. 	<ul style="list-style-type: none"> • Adjust the freezer or refrigerator control to a colder setting until the freezer or refrigerator temperature is satisfactory. • Warm air enters the refrigerator/freezer whenever the door is opened. Open the door less often. • Close the door completely. • Wait until the refrigerator or freezer has had a chance to cool food to the set temperature. • It takes a few hours for the refrigerator to reach the set temperatures.
Temperature in the refrigerator is too warm, but the freezer temperature is satisfactory.	<ul style="list-style-type: none"> • Refrigerator control is set too warm. 	<ul style="list-style-type: none"> • Adjust the refrigerator control to a colder setting.
Louder sound levels when compressor comes on.	<ul style="list-style-type: none"> • Refrigerator operates at higher pressures during the start of the ON cycle. 	<ul style="list-style-type: none"> • This is normal.
Vibrating or rattling noise.	<ul style="list-style-type: none"> • Floor is uneven or weak. The refrigerator rocks on the floor when it is moved slightly. • Items placed on the top of the refrigerator are vibrating. • Dishes are vibrating on the shelves in the refrigerator. • The refrigerator is touching the wall or cabinets. 	<ul style="list-style-type: none"> • Be sure floor is level and solid and can adequately support the refrigerator. • Remove items. • It is normal for dishes to vibrate slightly. Move dishes slightly. Make sure refrigerator is level and firmly set on floor. • Move the refrigerator so that it does not touch the wall.
Moisture collects on the inside walls of the refrigerator.	<ul style="list-style-type: none"> • The weather is hot and humid which increases the rate of frost buildup and internal sweating. • Door is slightly open. • Door is opened too often or for too long. 	<ul style="list-style-type: none"> • This is normal. • Close the door. • Open the door less often.
Moisture forms on the outside of the refrigerator or between the doors.	<ul style="list-style-type: none"> • Weather is humid. • Door is slightly open. 	<ul style="list-style-type: none"> • This is normal in humid weather. When humidity is lower, the moisture should disappear. • Close the door completely.

TROUBLESHOOTING

BEFORE CALLING FOR SERVICE (CONT.)

Problem	Possible Causes	Solutions
Moisture forms on the dispenser.	<ul style="list-style-type: none"> Moisture may form when the temperature or humidity are high. 	<ul style="list-style-type: none"> Wipe off the moisture.
Odors in the refrigerator.	<ul style="list-style-type: none"> Interior needs to be cleaned. Food with strong odor is in the refrigerator. Some containers and wrapping materials produce odors. 	<ul style="list-style-type: none"> Clean interior with sponge, warm water, and baking soda. Be sure the soda is completely dissolved so it will not act as an abrasive compound. Cover food completely. Use a different container or brand of wrapping materials.
The door(s) will not close.	<ul style="list-style-type: none"> Food package is keeping the door open. Door was closed too hard, causing other door to open slightly. Refrigerator is not level. It rocks on the floor when it is moved slightly. Floor is uneven or weak. The refrigerator rocks on the floor when it is moved slightly. Refrigerator is touching the wall or the cabinets. 	<ul style="list-style-type: none"> Move the packages that keep the door from closing. Gently close both doors. Adjust the height-adjusting screw. Be sure the floor is level and can adequately support the refrigerator. Contact a carpenter to correct sagging or sloping floor. Move the refrigerator.
Drawers are difficult to move.	<ul style="list-style-type: none"> Food is touching the shelf on top of the drawer. The drawer track is dirty. 	<ul style="list-style-type: none"> Keep less food in the drawer. Clean the drawer and the track.
Sound of ice dropping.	<ul style="list-style-type: none"> A batch of ice has been released into the ice bin. 	<ul style="list-style-type: none"> This sound is made when automatically made ice is dropped into the ice storage bin. The volume may vary according to the location of the refrigerator.
Sound of water trickling.	<ul style="list-style-type: none"> The icemaker is being supplied with water. 	<ul style="list-style-type: none"> This sound is normally made when the icemaker is supplied with water after dropping the automatically made ice. If this sound lasts more than 10 seconds, check for a leak.

BEFORE CALLING FOR SERVICE (CONT.)

Problem	Possible Causes	Solutions
<p>The icemaker is not producing ice or not enough ice</p>	<ul style="list-style-type: none"> • New installation. • Refrigerator is not connected to a water supply and the supply shutoff valve is not turned on. • Reverse osmosis water filtration system is connected to your cold water supply. • Kink in the water source line. • Large amount of ice recently has been removed. • The icemaker is not turned on. • There is Something on the Ice-detecting sensor. • The temperature setting is too warm on Freezer. • The doors are opened often. • Any door is not closing properly. • The ice compartment door is not closing properly. • Ice Plus is not selected. 	<ul style="list-style-type: none"> • Wait 24 hours after ice maker installation for ice production to begin. Wait 72 hours for full ice production. • Connect refrigerator to water supply and turn water shutoff valve fully open. • This can decrease water pressure and a little water comes to icemaker. • A kink in the line can reduce water flow. Straighten the water source line. • Allow 24 hours for ice maker to produce more ice. • On the icemaker itself, there should be a power switch. It may have an “I” and “O” on it. The “I” position is on. If it is off, please flip it to the on position. • Foreign substance or frost on the ice-detecting sensor stops making ices. To keep making ice, clean up the surface of Ice-detecting sensor with clean and soft fabric. • Below -1°F is recommended temperature setting of the freezer compartment for normal ice production. If the freezer temperature is set at a warmer temperature, then the ice will produce at a slower rate. • If the doors of the unit are opened often, the cold air will escape which will prevent the unit from maintaining the set temperature. Lowering the temperature can help, as well as not opening the doors as frequently. • The door that is not closed properly, makes the Freezer temperature high and icemaker will make ices slowly. • The compartment door, that is not closed properly, make the compartment temperature high and icemaker makes ices slowly. • With this option, the cold air in the compartment is increased as is ice production.
<p>Other</p>	<p>Please thoroughly read the Automatic Icemaker and Operating the Dispenser sections in this manual.</p>	

SPECIFICATIONS

KEY DIMENSIONS AND SPECIFICATIONS

The appearance and specifications listed in this guide may vary due to constant product improvements.

Bottom-Freezer Refrigerator Models LFC25776	
Description	French Door Refrigerator
Electrical Requirements	115 VAC @ 60 Hz
Min. / Max. Water Pressure	20~121 PSI (1.4~8.5 kgf/cm ²)
Dimensions	35 3/4" (W) X 34 1/4" (D) X 69 3/4" (H), 46 1/2" (D w/ door open) 908 mm (W) X 870 mm (D) X 1772 mm (H), 1181 mm (D w/ door open)
Net Weight	276 lb. (125 kg)
Refrigerator Storage Capacity	17.7 cu. ft.
Freezer Storage Capacity	7.3 cu. ft.

Bottom-Freezer Refrigerator Model LFC21776	
Description	French Door Refrigerator
Electrical Requirements	115 VAC @ 60 Hz
Min. / Max. Water Pressure	20~121 PSI (1.4~8.5 kgf/cm ²)
Dimensions	35 3/4" (W) X 30 1/4" (D) X 69 3/4" (H), 42 1/4" (D w/ door open) 908 mm (W) X 768 mm (D) X 1772 mm (H), 1073 mm (D w/ door open)
Net Weight	254 lb. (115 kg)
Refrigerator Storage Capacity	14.7 cu. ft.
Freezer Storage Capacity	6.0 cu. ft.

LG ELECTRONICS U.S.A., INC.

LG REFRIGERATOR LIMITED WARRANTY - U.S.A.

ENGLISH

Should your LG Refrigerator ("Product") fail due to a defect in materials or workmanship under normal home use, during the warranty period set forth below, LG will at its option repair or replace the product. This limited warranty is valid only to the original retail purchaser of the product and applies only when purchased and used within the United States including U.S. Territories. Proof of original retail purchase is required to obtain warranty service under this limited warranty.

WARRANTY PERIOD			
Refrigerator	Sealed System (Condenser, Dryer, Connecting Tube, Refrigerant and Evaporator)		Linear Compressor
One (1) year from the date of original retail purchase	One (1) year from the date of original retail purchase	Seven (7) years from the date of original retail purchase	Ten (10) years from the date of original retail purchase
Parts and Labor (internal/functional parts only)	Parts and Labor	Parts only (Consumer will be charged for labor)	Part only (Consumer will be charged for labor)

Noises associated with normal operation and failure to follow instructions found in the use and care and installation guides or operating the unit in an unsuitable environment will not be covered under this warranty.

- ▶ Replacement products and parts are warranted for the remaining portion of the original warranty period or ninety (90) days, whichever is greater.
- ▶ Replacement products and parts may be new or remanufactured.

THIS WARRANTY IS IN LIEU OF ANY OTHER WARRANTY, EXPRESS OR IMPLIED, INCLUDING WITHOUT LIMITATION, ANY WARRANTY OF MERCHANTABILITY OR FITNESS FOR A PARTICULAR PURPOSE. TO THE EXTENT ANY IMPLIED WARRANTY IS REQUIRED BY LAW, IT IS LIMITED IN DURATION TO THE EXPRESS WARRANTY PERIOD ABOVE. NEITHER THE MANUFACTURER NOR ITS U.S. DISTRIBUTOR SHALL BE LIABLE FOR ANY INCIDENTAL, CONSEQUENTIAL, INDIRECT, SPECIAL, OR PUNITIVE DAMAGES OF ANY NATURE, INCLUDING WITHOUT LIMITATION, LOST REVENUES OR PROFITS, OR ANY OTHER DAMAGE WHETHER BASED IN CONTRACT, TORT, OR OTHERWISE. Some states do not allow the exclusion or limitation of incidental or consequential damages or limitations on how long an implied warranty lasts, so the above exclusion or limitation may not apply to you. This warranty gives you specific legal rights and you may also have other rights that vary from state to state.

THIS LIMITED WARRANTY DOES NOT COVER:

1. Service trips to deliver, pick up, install, or repair the product; instruct the customer on operation of the product; repair or replace fuses or correct wiring or plumbing, or correction of unauthorized repairs/installation.
2. Failure of product to perform during power failures and interruptions or inadequate electrical service.
3. Damage caused by leaky or broken water pipes, frozen water pipes, restricted drain lines, inadequate or interrupted water supply or inadequate supply of air.
4. Damage resulting from operating the product in a corrosive atmosphere or contrary to the instructions outlined in the product owner's manual.
5. Damage to the product caused by accidents, pests and vermin, lightning, wind, fire, floods, or acts of God.
6. Damage resulting from misuse, abuse, improper installation, repair, or maintenance. Improper repair includes use of parts not approved or specified by LG.
7. Damage or failure caused by unauthorized modification or alteration, or if it is used for other than the intended purpose, or any water leakage where the unit was not properly installed.
8. Damage or failure caused by incorrect electrical current, voltage, or plumbing codes, commercial or industrial use, or use of accessories, components, or consumable cleaning products that are not approved by LG.
9. Damage caused by transportation and handling, including scratches, dents, chips, and/or other damage to the finish of your product, unless such damage results from defects in materials or workmanship and is reported within one (1) week of delivery (Call: 1-800-243-0000).
10. Damage or missing items to any display, open box, discounted, or refurbished product.
11. Products with original serial numbers that have been removed, altered, or can not be readily determined. Model and Serial numbers, along with original retail sales receipt, are required for warranty validation.
12. Increases in utility costs and additional utility expenses.
13. Replacement of light bulbs, filters, or any consumable parts.
14. Repairs when your product is used in other than normal and usual household use (e.g. commercial use, offices, and recreational facilities) or contrary to the instructions outlined in the product owner's manual.
15. Costs associated with removal of your product from your home for repairs.
16. The removal and reinstallation of the product if it is installed in an inaccessible location or is not installed in accordance with published installation instructions, including LG's owner's and installation manuals.
17. Shelves, door bins, drawers, handles, accessories, and other parts besides those that were originally included with this particular model.

The cost of repair or replacement under these excluded circumstances shall be borne by the consumer.

For complete warranty details and customer assistance, please call or visit our website:
 Call 1-800-243-0000 (24 hours a day, 365 days a year) and select the appropriate option from the menu, or visit our website at <http://us.lgservice.com>
 Or by mail: LG Customer Information Center:
 P. O. Box 240007, 201 James Record Road Huntsville, Alabama 35813
 ATTN: CIC

Write your warranty information below:

Product Registration Information:

Model: _____
Serial Number: _____
Date of Purchase: _____

LG ELECTRONICS CANADA, INC.

LG REFRIGERATOR LIMITED WARRANTY - Canada

WARRANTY: Should your LG Refrigerator ("Product") fail due to a defect in material or workmanship under normal home use during the warranty period set forth below, LG Canada will at its option repair or replace the Product upon receipt of proof of original retail purchase. This warranty is valid only to the original retail purchaser of the product and applies only to a Product distributed in Canada by LG Canada or an authorized Canadian distributor thereof. The warranty only applies to Products located and used within Canada.

WARRANTY PERIOD: (Note: If the original date of purchase can not be verified, the warranty will begin sixty (60) days from the date of manufacture)			
Refrigerator/Freezer	Sealed System (Condenser, Dryer, Connecting Tube, Refrigerant and Evaporator)		Linear Compressor
One (1) year from the date of original retail purchase	One (1) year from the date of original retail purchase	Seven (7) years from the date of original retail purchase	Ten (10) years from the date of original retail purchase
Parts and Labor (internal/functional parts only)	Parts and Labor	Parts only (Consumer will be charged for labor)	Part only (Consumer will be charged for labor)

Noises associated with normal operation and failure to follow instructions found in the use and care and installation guides or operating the unit in an unsuitable environment will not be covered under this warranty.

- ▶ Replacement products and parts are warranted for the remaining portion of the original warranty period or ninety (90) days, whichever is greater.
- ▶ Replacement products and parts may be new or remanufactured.
- ▶ LG Authorized Service Center warranties their repair work for thirty (30) days.

LG CANADA'S SOLE LIABILITY IS LIMITED TO THE WARRANTY SET OUT ABOVE. EXCEPT AS EXPRESSLY PROVIDED ABOVE, LG CANADA MAKES NO AND HEREBY DISCLAIMS ALL OTHER WARRANTIES AND CONDITIONS RESPECTING THE PRODUCT, WHETHER EXPRESS OR IMPLIED, INCLUDING, BUT NOT LIMITED TO, ANY IMPLIED WARRANTY OR CONDITION OF MERCHANTABILITY OR FITNESS FOR A PARTICULAR PURPOSE, AND NO REPRESENTATIONS SHALL BE BINDING ON LG CANADA. LG CANADA DOES NOT AUTHORIZE ANY PERSON TO CREATE OR ASSUME FOR IT ANY OTHER WARRANTY OBLIGATION OR LIABILITY IN CONNECTION WITH THE PRODUCT. TO THE EXTENT THAT ANY WARRANTY OR CONDITION IS IMPLIED BY LAW, IT IS LIMITED TO THE EXPRESS WARRANTY PERIOD ABOVE. LG CANADA, THE MANUFACTURER OR DISTRIBUTOR SHALL NOT BE LIABLE FOR ANY INCIDENTAL, CONSEQUENTIAL, SPECIAL, DIRECT OR INDIRECT DAMAGES, LOSS OF GOODWILL, LOST PROFITS, PUNITIVE OR EXEMPLARY DAMAGES OR ANY OTHER DAMAGE, WHETHER ARISING DIRECTLY OR INDIRECTLY FROM ANY CONTRACTUAL BREACH, FUNDAMENTAL OR OTHERWISE, OR FROM ANY ACTS OR OMISSIONS, TORT, OR OTHERWISE. This warranty gives you specific legal rights. You may have other rights which may vary from province to province depending on applicable provincial laws. Any term of this warranty that negates or varies any implied condition or warranty under provincial law is severable where it conflicts with provincial law without affecting the remainder of this warranty's terms.

THIS LIMITED WARRANTY DOES NOT COVER:

1. Service trips to deliver, pick up, or install the product; instructing a customer on operation of the product; repair or replacement of fuses or correction of wiring or plumbing, or correction of unauthorized repairs/installation.
2. Failure of the product to perform during power failures and interruptions or inadequate electrical service.
3. Damage caused by leaky or broken water pipes, frozen water pipes, restricted drain lines, inadequate or interrupted water supply or inadequate supply of air.
4. Damage resulting from operating the Product in a corrosive atmosphere or contrary to the instructions outlined in the Product owner's manual.
5. Damage to the Product caused by accidents, pests and vermin, lightning, wind, fire, floods, or acts of God.
6. Damage resulting from the misuse, abuse, improper installation, repair, or maintenance of the Product. Improper repair includes use of parts not approved or specified by LG Canada.
7. Damage or product failure caused by unauthorized modification or alteration, or use for other than its intended purpose, or resulting from any water leakage due to improper installation.
8. Damage or Product failure caused by incorrect electrical current, voltage, or plumbing codes, commercial or industrial use, or use of accessories, components, or cleaning products that are not approved by LG Canada.
9. Damage caused by transportation and handling, including scratches, dents, chips, and/or other damage to the finish of your product, unless such damage results from defects in materials or workmanship and is reported within one (1) week of delivery.
10. Damage or missing items to any display, open box, discounted, or refurbished Product.
11. Products with original serial numbers that have been removed, altered, or cannot be readily determined. Model and Serial numbers, along with original retail sales receipt, are required for warranty validation.
12. Increases in utility costs and additional utility expenses.
13. Replacement of light bulbs, filters, or any consumable parts.
14. Repairs when your Product is used in other than normal and usual household use (including, without limitation, commercial use, in offices or recreational facilities) or contrary to the instructions outlined in the Product owner's manual.
15. Costs associated with removal of the Product from your home for repairs.
16. The removal and reinstallation of the Product if it is installed in an inaccessible location or is not installed in accordance with published installation instructions, including the Product owner's and installation manuals.
17. Shelves, door bins, drawers, handles, and accessories to the Product. Also excluded are parts besides those that were originally included with the Product.

All costs associated with the above excluded circumstances shall be borne by the consumer.

For complete warranty details and customer assistance, please call or visit our website: Call 1-888-542-2623 (24 hours a day, 365 days a year) and select the appropriate option from the menu, or visit our website at <http://www.lg.ca>

Write your warranty information below: _____

Product Registration Information: _____

Model: _____ **Serial Number:** _____

Date of Purchase: _____



NOTES



GUIDE D'UTILISATION

RÉFRIGÉRATEUR À

PORTES FRANÇAISES

Veuillez lire ce guide attentivement avant la mise en service de l'appareil et gardez-le à portée de main pour le consulter en cas de besoin.

LFC25776**

LFC21776**

INTRODUCTION

CONSIGNES DE SÉCURITÉ IMPORTANTES

Mesures de sécurité fondamentales	3
Élimination des CFC	4
Raccordement à l'alimentation électrique	5

COMPOSANTS ET FONCTIONS

Fonctions spéciales	6
Pièces et composants principaux	7

INSTALLATION

Choisir l'emplacement approprié	8
Dégagements	8
Revêtement de sol	9
Enlèvement des poignées	9
Dépose de la porte du réfrigérateur et du tiroir du congélateur	10
Remplacement de l'éclairage	15
Raccordement à l'alimentation d'eau	16
Raccordement des conduites d'eau	17
Mise à niveau des portes du réfrigérateur	18
Démarrage	19

UTILISATION DU RÉFRIGÉRATEUR

Configurations des commandes.....	20
Machine à glaçons automatique	21
Conservation des aliments	22
Rangement des aliments	23
Réglage de la hauteur des clayettes	24
Enlèvement et remise en place des composants.....	25

ENTRETIEN ET NETTOYAGE

Nettoyage du réfrigérateur	29
Renseignements généraux	29

DÉPANNAGE

Avant de faire un appel de service.....	30
---	----

CARACTÉRISTIQUES TECHNIQUES

Dimensions et caractéristiques principales	34
--	----

GARANTIE

Enregistrement du produit.....	35
--------------------------------	----


MERCI!

Félicitations pour votre achat et
bienvenue dans la famille LG.
Votre nouveau réfrigérateur à
portes françaises combine la
technologie de réfrigération
la plus évoluée à une utilisation
simple et une grande efficacité
En respectant les instructions
d'utilisation et d'entretien
de ce manuel, votre réfrigérateur
vous apportera de nombreuses
années de service fiable.

CONSIGNES DE SÉCURITÉ IMPORTANTES

MESURES DE SÉCURITÉ FONDAMENTALES

Ce manuel contient plusieurs messages de sécurité importants. Lisez ces messages de sécurité et observez-les en tout temps.

 Ceci est un symbole d'avis de sécurité. Le message de sécurité qu'il signale vous renseigne sur un risque pouvant entraîner la mort, des blessures corporelles ou l'endommagement du produit. Tous les messages de sécurité sont précédés de ce symbole et des mots DANGER, AVERTISSEMENT, ou MISE EN GARDE. La signification de ces mots est la suivante :

DANGER

Vous **prenez** un risque de mort ou de blessure grave si vous ne respectez pas les instructions.

AVERTISSEMENT

Vous **pouvez** perdre la vie ou être sévèrement blessé si vous n'observez pas les instructions.

MISE EN GARDE

Indique une situation de risque imminente qui, si elle n'est pas évitée, **peut** entraîner une blessure mineure ou modérée, ou endommager le produit.

Tous les messages de sécurité identifient les risques, indiquent la façon de les réduire, et décrivent les conséquences susceptibles de se produire si l'on ne se conforme pas aux instructions.

AVERTISSEMENT

Afin de réduire les risques d'incendie, d'électrocution, ou de blessures lors de l'utilisation du produit, des mesures de sécurité fondamentales doivent être prises, y compris celles qui suivent.

Lisez toutes les instructions avant d'utiliser cet appareil.

- Ne débranchez jamais le réfrigérateur en tirant sur le cordon d'alimentation. Saisissez toujours la fiche fermement et retirez-la de la prise en droite ligne.
- Réparez ou remplacez immédiatement les cordons électriques effilochés ou autrement endommagés. N'utilisez pas un cordon qui montre des signes de craquelures ou d'abrasion, que ce soit sur sa longueur, sa fiche ou une autre extrémité.
- Veillez à ne pas endommager le cordon lorsque vous éloignez le réfrigérateur du mur.
- Ne rangez ni n'utilisez d'essence ou autres vapeurs ou liquides inflammables à proximité de cet appareil ou de n'importe quel autre appareil.
- Ne permettez pas aux enfants de grimper, se pendre, ou se tenir sur les portes ou les clayettes du réfrigérateur. Ils risqueraient d'endommager celui-ci ou de se blesser sérieusement.
- Gardez vos doigts à l'écart des zones de coincement, l'espace entre les portes et la carrosserie étant nécessairement restreint. Fermez les portes avec précaution lorsque des enfants se trouvent à proximité.
- Débranchez le réfrigérateur avant de procéder au nettoyage ou à toute réparation.

REMARQUE : Les réparations doivent être effectuées par un technicien agréé.

- Avant de remplacer une ampoule grillée, débranchez le réfrigérateur ou coupez l'alimentation au niveau du disjoncteur ou de la boîte de fusible. Afin d'éviter tout contact avec un fil sous tension. (Une ampoule grillée peut se briser lors de son remplacement.)

REMARQUE : Certains modèles sont munis d'un éclairage LED intérieur et leur entretien doit être effectué par un technicien qualifié.

REMARQUE : Le fait de mettre les deux ou l'une des commandes à la position OFF (Arrêt) ne coupe pas l'alimentation du circuit de la lumière.

- Lorsque vous avez terminé, rebranchez le réfrigérateur à la source électrique et réinitialisez la commande (thermostat, commande du réfrigérateur ou du congélateur, dépendant du modèle) au réglage souhaité.
- Ce réfrigérateur doit être correctement installé, conformément aux **instructions d'installation** indiquées à l'avant du réfrigérateur.
- Lorsque le réfrigérateur est en marche, ne touchez pas aux surfaces froides du compartiment congélation si vos mains sont moites ou mouillées. La peau risque d'adhérer aux surfaces très froides.
- Évitez de toucher à l'élément chauffant ou aux pièces mobiles du mécanisme d'éjection de la machine à glaçons d'un réfrigérateur qui en est équipé. Ne mettez PAS les doigts ou les mains dans la machine à glaçons automatique si le réfrigérateur est branché.
- **Ne modifiez ni n'allongez le cordon électrique.** Une électrocution ou un incendie en résulterait.

CONSIGNES DE SÉCURITÉ IMPORTANTES

MESURES DE SÉCURITÉ FONDAMENTALES (SUITE)

- N'utilisez pas un sèche-cheveux pour sécher l'intérieur de l'appareil, ni une bougie pour supprimer les odeurs.
- Installez l'appareil dans un endroit éloigné des risques de feu ou d'explosion, tels que l'emplacement d'une bouteille de gaz ou d'une cuisinière à gaz.
- Cet appareil n'est pas prévu pour être utilisé par des personnes (y compris les enfants) aux capacités physiques, sensorielles ou mentales réduites, ou manquant d'expérience et de connaissances, à moins qu'elles se trouvent sous la surveillance, ou qu'elles aient reçues des instructions, d'une personne responsable de leur sécurité.

Les enfants doivent rester sous la surveillance d'un adulte pour s'assurer qu'ils ne jouent pas avec l'appareil.

- Ne congelez pas de nouveau les aliments qui se sont complètement décongelés. Le Ministère de l'Agriculture des États-Unis stipule dans son bulletin Home and Garden n o 69 :
...Vous pouvez, en toute sécurité, congeler de nouveau des aliments décongelés s'ils contiennent encore des cristaux de glace ou sont encore froids—au-dessous de 40°F (4°C).
...La viande hachée, la volaille, ou le poisson décongelés ayant une odeur ou une couleur anormales ne doivent être ni recongelés ni mangés.

La crème glacée fondue doit être jetée.
Débarrassez-vous de tout aliment dont l'odeur ou la couleur est mauvaise ou douteuse.

Il pourrait être dangereux de manger de tels aliments.

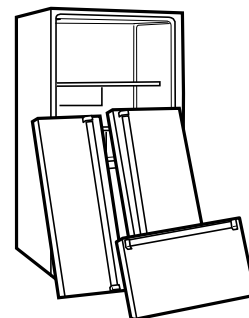
Une décongélation même partielle suivie d'une recongélation altère la qualité des aliments, particulièrement les fruits, les légumes et les plats préparés. La qualité des viandes rouges est moins affectée que celle de la plupart des autres aliments. Utilisez les aliments recongelés dès que possible pour une préservation optimale de leur qualité.

Risque de piégeage des enfants

Les réfrigérateurs jetés ou abandonnés sont dangereux, même s'ils ne restent que quelques jours. Si vous vous départissez de votre vieux réfrigérateur, veuillez suivre les instructions ci-dessous afin de prévenir les accidents :

Avant de jeter votre vieux réfrigérateur ou congélateur :

- Enlevez les portes.
- Ne laissez pas les clayettes en place, puisque des enfants peuvent grimper dessus.



ÉLIMINATION DES CFC

Votre vieux réfrigérateur est peut-être équipé d'un système de refroidissement qui contient des CFC (chlorofluorocarbures). Or ceux-ci sont considérés comme dommageables pour la couche d'ozone.

Si vous jetez votre vieux réfrigérateur, assurez-vous qu'un technicien qualifié mettra correctement au rebut le frigorigène qui contient des CFC. Si vous libérez intentionnellement ce frigorigène dans l'atmosphère, vous encourez une amende ou l'emprisonnement en vertu des lois sur l'environnement.

CONSIGNES DE SÉCURITÉ IMPORTANTES

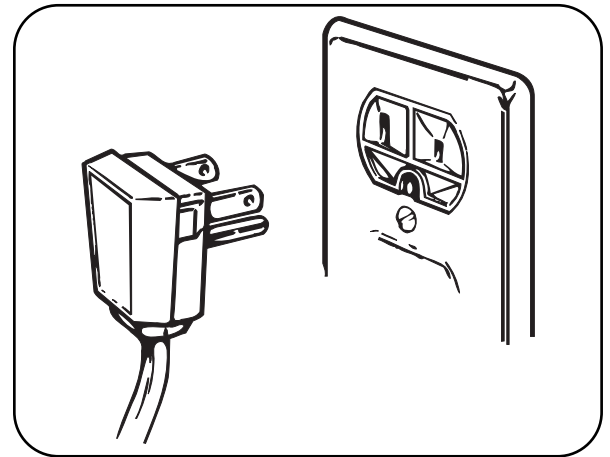
RACCORDEMENT À L'ALIMENTATION ÉLECTRIQUE

IMPORTANT: Veuillez lire cette section attentivement.

⚠️ AVERTISSEMENT

Risque d'électrocution

Pour la sécurité des personnes, cet appareil doit être correctement mis à la terre. Demandez à un électricien agréé de vérifier l'exactitude de la mise à la terre de la prise murale et du circuit.



MÉTHODE DE MISE À LA TERRE RECOMMANDÉE

Le réfrigérateur doit toujours être branché dans une prise électrique dédiée et correctement mise à la terre, classée pour une alimentation de 120 V, 60 Hz, uniquement à c.a. et munie d'un fusible de 20 ampères. Ces caractéristiques procurent le meilleur rendement et préviennent la surcharge du circuit de câblage domestique qui peut entraîner un risque d'incendie. Il est recommandé d'affecter un circuit particulier à l'alimentation de cet appareil.

Utilisez une prise de courant dont la mise hors tension par un interrupteur ou une chaîne est impossible. N'utilisez pas de cordon rallonge. Si vous êtes en présence d'une prise de courant bipolaire standard (deux trous), vous avez la responsabilité et l'obligation de la faire remplacer par une prise tripolaire (trois trous) correctement mise à la terre.

En aucun cas vous ne devez couper ou enlever la troisième broche (mise à la terre) de la fiche du cordon.

N'utilisez pas une fiche adaptatrice.

REMARQUE : Certains modèles sont munis d'un éclairage LED intérieur et leur entretien doit être effectué par un technicien qualifié.

Quand vous avez terminé, rebranchez le réfrigérateur dans la prise électrique et remettez la commande (thermostat, commande du réfrigérateur, ou du congélateur, selon le modèle) au réglage voulu.

UTILISATION DE CORDONS RALLONGES

Étant donné les risques potentiels pour la sécurité, nous recommandons vivement de ne pas utiliser un cordon rallonge. Si vous tenez cependant à en utiliser un, le cordon rallonge doit absolument être doté des caractéristiques suivantes : trifilaire, certifié UL (États-Unis), classé 20 ampères minimum pour 120V, avec fiche et prise murale mises à la terre.

L'utilisation d'un cordon rallonge augmentera l'espace libre requis à l'arrière du réfrigérateur.

CONSERVEZ CES INSTRUCTIONS

COMPOSANTS ET FONCTIONS

FONCTIONS SPÉCIALES

1 AFFICHEUR DEL DU PANNEAU DE COMMANDE

Les commandes électroniques simples sont conviviales.

L'afficheur DEL indique les températures du réfrigérateur et du congélateur, affiche l'état du filtre à eau, des données sur le distributeur et d'autres renseignements.

2 ICE PLUS (GLACE PLUS)

Quand ce dispositif est activé, la section congélateur fonctionnera à la température la plus froide pendant une période de 24 heures pour augmenter la production de glace.

3 ALARME DE PORTE

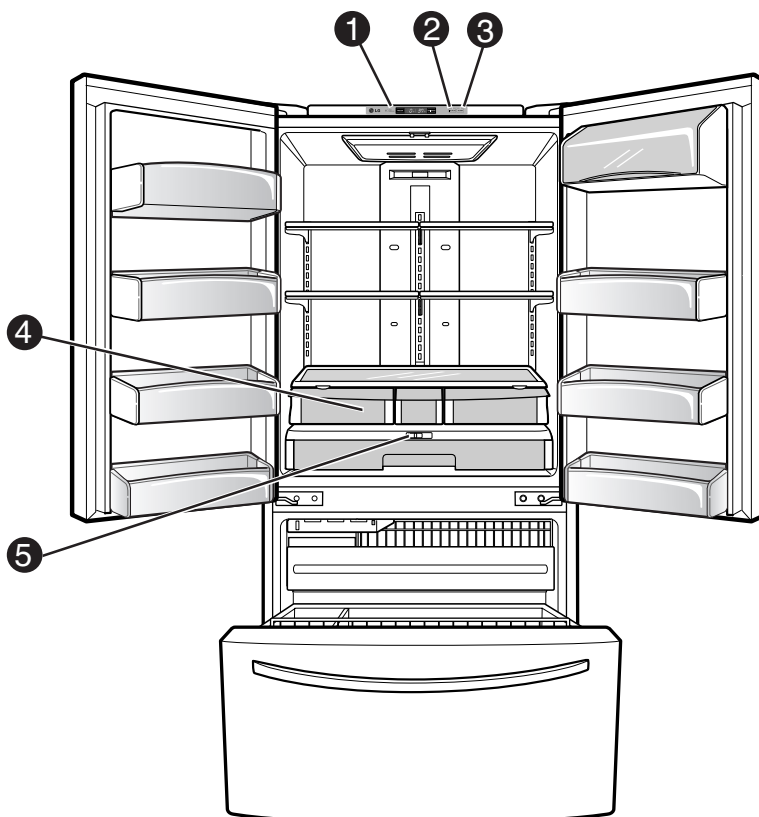
Une alarme retentit à des intervalles de 30 secondes si une porte du réfrigérateur ou du congélateur est laissée ouverte pour plus de 60 secondes.

4 BAC À LÉGUMES

Les bacs à légumes LG's préservent de l'humidité et aident à conserver les légumes sèches.

5 GLIDE'N'SERVE (GLISSEZ ET SERVEZ)

Fournit un espace de stockage avec un contrôle de température variable qui permet de disposer d'un compartiment plus froid que le reste du réfrigérateur.



REMARQUE : Ce guide concerne plusieurs modèles. Le réfrigérateur que vous avez acheté peut se composer de tout ou partie des éléments répertoriés ci-dessous. L'emplacement des fonctionnalités représenté ci-dessous peut correspondre à votre modèle.

COMPOSANTS ET FONCTIONS

PIÈCES ET COMPOSANTS PRINCIPAUX

En plus des fonctions et composants spéciaux décrits dans la section **Fonctions Spéciales**, de nombreux autres composants importants sont mentionnés dans ce guide.

1 RAYONNAGE DU REFRIGERATEUR AJUSTABLE

Les clayettes du compartiment réfrigérateur sont réglables pour permettre un rangement polyvalent.

2 BALCONNETS STANDARD

Vous pouvez arranger trois bacs interchangeables pour satisfaire vos besoins de stockage.

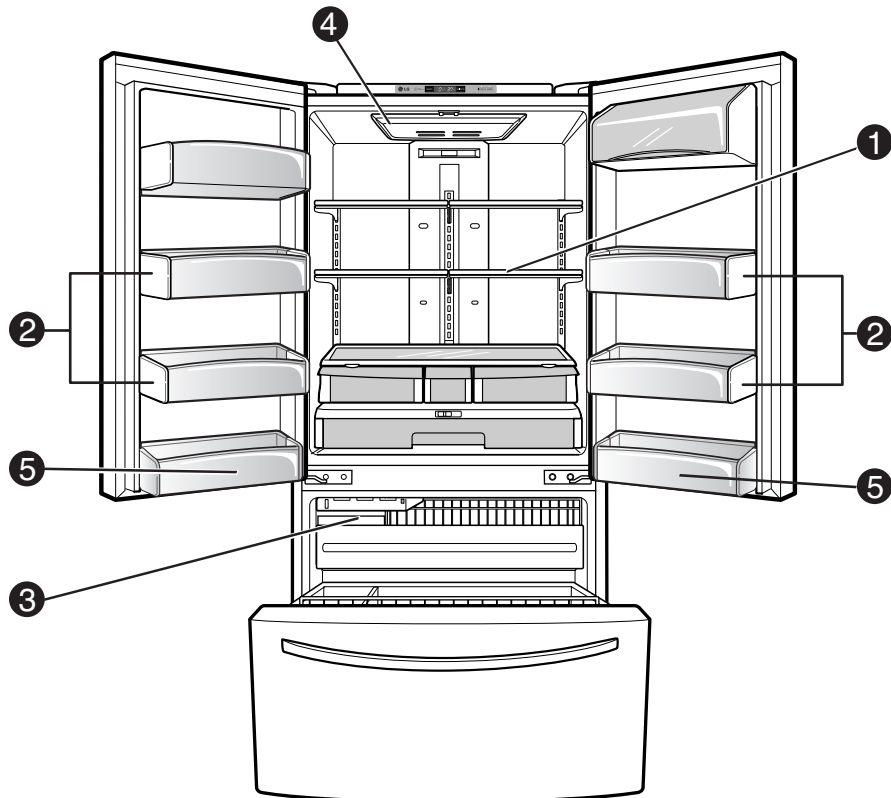
3 BAC À COLLATIONS

Le bac à collations est idéal pour ranger le pain, les viandes froides, et les grignotines.

4 LED ÉCLAIRAGE INTÉRIEUR

L'intérieur du réfrigérateur est éclairé par le jeu de LED.

5 BALCONNETS FIXES



INSTALLATION

CHOISIR L'EMPLACEMENT APPROPRIÉ

⚠️ AVERTISSEMENT

Risque de poids excessif

Au moins deux personnes sont nécessaires pour déplacer et déballer l'appareil.

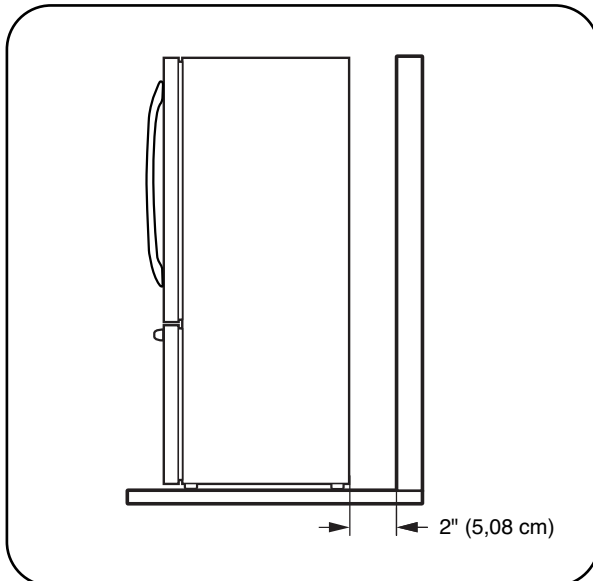
- Rangez et installez le réfrigérateur dans un endroit où il ne sera pas exposé aux intempéries ou à des températures sous le point de congélation.
- Installez cet appareil dans un endroit où la température se maintient entre 55°F (13°C) et 110°F (43°C). Si la température autour de l'appareil est trop basse ou trop élevée, la capacité de congélation peut être compromise.
- Si le réfrigérateur est installé dans un endroit où la température s'élève au-dessus de 110°F (43°C), la capacité de congélation sera compromise et les coûts d'électricité augmenteront.

- Pour réduire le risque d'électrocution, n'installez pas le réfrigérateur dans un endroit mouillé ou humide.
- Sélectionnez un endroit où il soit facile de connecter l'arrivée d'eau pour la machine à glaçons et le distributeur automatique.
- Une installation instable peut engendrer des vibrations et du bruit. Si le plancher n'est pas nivelé, nivelez le réfrigérateur en tournant les vis d'ajustement de hauteur.
- Mettez le réfrigérateur à la terre conformément aux codes et règlements en vigueur.

⚠️ MISE EN GARDE

N'installez pas votre réfrigérateur en proximité des sources de chaleur, en la lumière du soleil, ou de humidité.

DÉGAGEMENTS



- Une distance trop courte par rapport aux objets adjacents peut réduire la capacité de congélation et augmenter les frais de consommation d'électricité.

Laissez au moins 24 po (61 cm) devant le réfrigérateur pour ouvrir les portes.

REMARQUE : Reportez-vous à la page 34 pour les dimensions et les caractéristiques complètes.

REVÊTEMENT DE SOL

- Pour réduire le bruit et les vibrations au minimum, le réfrigérateur DOIT reposer sur un plancher solidement construit.
- Pour éviter les vibrations, l'appareil doit être de niveau. Au besoin, réglez les pattes de nivellement pour compenser les inégalités du plancher. Le devant doit être légèrement plus haut que l'arrière pour faciliter la fermeture des portes. Les pieds de mise à niveau peuvent être tournés facilement en repoussant le haut du réfrigérateur pour soulager les pieds du poids du réfrigérateur. Vissez les pattes dans le sens horaire pour remonter l'appareil et dans le sens antihoraire pour l'abaisser.

- Un revêtement de tapis ou de tuiles souples n'est pas recommandé.
- N'installez jamais le réfrigérateur sur une plateforme ou une structure faiblement soutenue.

REMARQUE : Assurez-vous de protéger le plancher lorsque vous déplacez le réfrigérateur pour le nettoyage ou une réparation. Tirez toujours sur le réfrigérateur en ligne droite pour le déplacer. Évitez de le branler ou le faire pivoter pour éviter d'endommager le plancher.

REMARQUE : il est recommandé de démonter les portes s'il est nécessaire de passer le réfrigérateur dans une ouverture étroite.

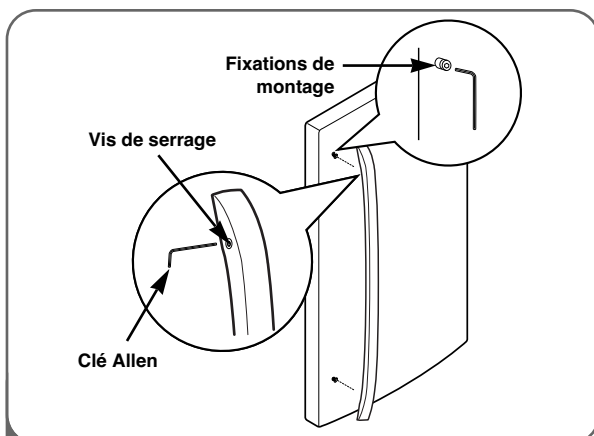
ENLÈVEMENT DES POIGNÉES

Pour déplacer le réfrigérateur à travers l'embrasure d'une porte, il peut s'avérer nécessaire d'enlever les poignées des portes du réfrigérateur.

REMARQUE : L'aspect des poignées peut différer des illustrations de cette page.

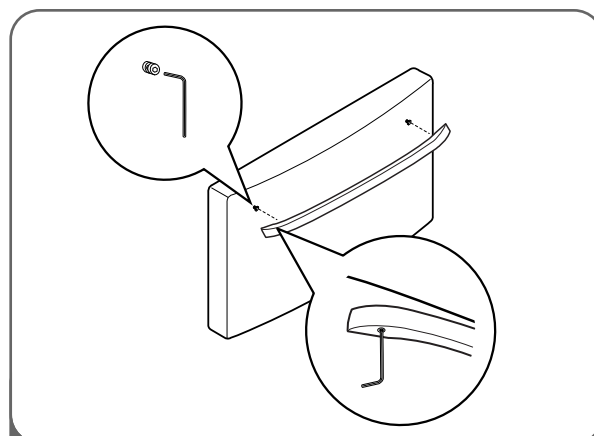
⚠ MISE EN GARDE

- Enlevez les poignées avec précaution pour éviter d'égratigner les portes.
- Vous risquez d'endommager la poignée si vous la frappez avec un marteau lors de son enlèvement ou de sa fixation.
- En enlevant ou fixant la poignée, tirez ou poussez avec une force raisonnable.



- 1 Desserrez les vis de l'ensemble à l'aide d'une clé Allen de 2,5 mm (3/32 po.) et enlevez la poignée.

REMARQUE : Si vous devez resserrer ou enlever les fixations de montage de la poignée, utilisez la clé Allen de 1/4 po.



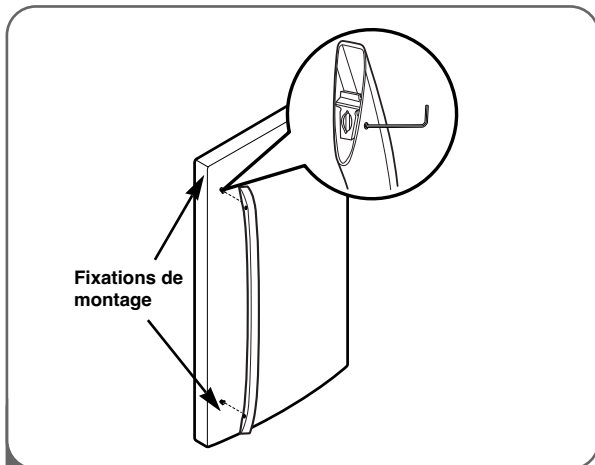
- 2 Desserrez les vis de l'ensemble situées en bas de la poignée à l'aide de la clé Allen de 3,1 mm (1/8 po.) et enlevez la poignée.

REMARQUE : Si vous devez resserrer ou enlever les fixations de montage de la poignée, utilisez la clé Allen de 1/4 po.

INSTALLATION

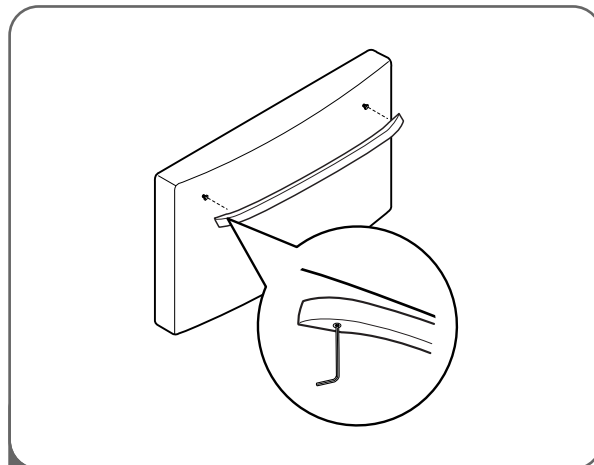
ENLÈVEMENT DES POIGNÉES (SUITE)

RÉINSTALLATION DES POIGNÉES



- 1 Placez la poignée sur la porte en alignant les empreintes de la poignée pour les adapter aux attaches de montage et serrez les vis de fixation à l'aide d'une clé Allen 2,5 mm (3/32 po)

REMARQUE: Si vous devez resserrer ou enlever les fixations de montage de la poignée, utilisez la clé Allen de 1/4 po.



- 2 Placez la poignée sur la porte en alignant les empreintes de la poignée pour les adapter aux attaches de montage et serrez les vis de fixation au bas de la poignée à l'aide d'une clé Allen 3,1 mm (1/8 po.).

REMARQUE: Si vous devez resserrer ou enlever les fixations de montage de la poignée, utilisez la clé Allen de 1/4 po.

DÉPOSE DE LA PORTE DU RÉFRIGÉRATEUR ET DU TIROIR DU CONGÉLATEUR

DÉPOSE DE LA PORTE DU RÉFRIGÉRATEUR

⚠ AVERTISSEMENT

Risque d'électrocution

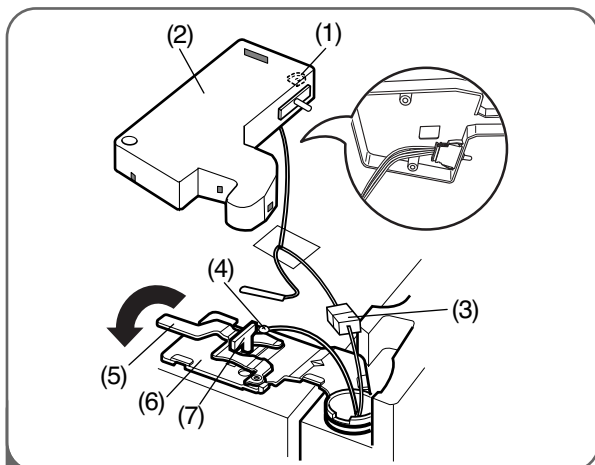
- Débranchez l'alimentation électrique vers le réfrigérateur avant d'installer. Négliger de le faire pourrait occasionner des blessures fatales ou graves.
- Ne pas placer les mains ou les pieds ou des bâtons en métal dans les grilles d'aération, la grille de la base ou à la base du réfrigérateur. Vous pouvez vous blesser ou recevoir un choc électrique.
- Soyez prudent lorsque vous travaillez avec la charnière, la grille basale, ou la butée. Vous pourriez vous blesser.

Avant de commencer, retirez les aliments et les bacs des contre-portes.

Si votre porte d'entrée est trop étroite pour laisser passer le réfrigérateur, enlevez la porte du réfrigérateur, puis faites passer le réfrigérateur sur le côté dans l'embrasure.

DÉPOSE DE LA PORTE DU RÉFRIGÉRATEUR ET DU TIROIR DU CONGÉLATEUR (SUITE)

DÉPOSE DE LA PORTE DU RÉFRIGÉRATEUR (SUITE)

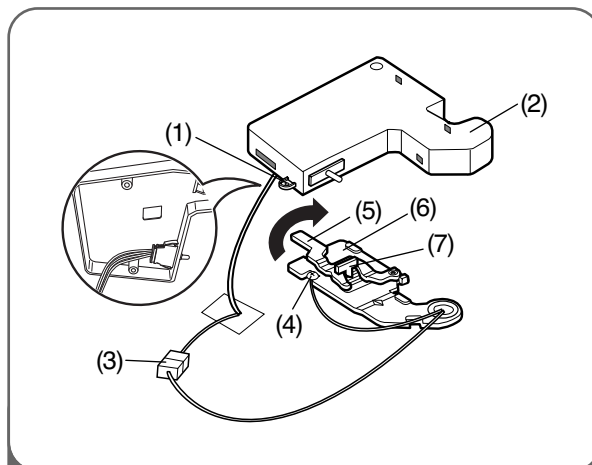


1 Pour enlever la porte de réfrigérateur gauche :

- Ouvrez la porte. Enlevez la vis supérieure de couverture de charnière (1).
- À l'aide d'un tournevis à tête plate, levez les languettes situées sur la face intérieure du capot (2).
Soulevez le couvercle.
- Débranchez tous les faisceaux de fils (3).
- Retirez la vis de mise à la terre (4).
- Faites pivoter le levier de la charnière (5) dans le sens contraire des aiguilles d'une montre. Soulevez la charnière supérieure (6) pour la dégager du loquet du levier (7).

IMPORTANT : En soulevant la charnière pour la dégager, veillez à ce que la porte ne tombe pas par en avant.

- Soulevez la porte par la tige de charnière centrale et enlevez la porte.
- Placez la porte, face intérieure vers le haut, sur une surface non abrasive.



2 Pour enlever la porte de réfrigérateur droite :

- Ouvrez la porte. Enlevez la vis supérieure de couverture de charnière (1).
- À l'aide d'un tournevis à tête plate, levez les languettes situées sur la face intérieure du capot (2).
Soulevez le couvercle.
- Débranchez tous les faisceaux de fils (3).
- Retirez la vis de mise à la terre (4).
- Faites pivoter le levier de la charnière (5) dans le sens des aiguilles d'une montre. Soulevez la charnière supérieure (6) pour la dégager du loquet du levier (7).

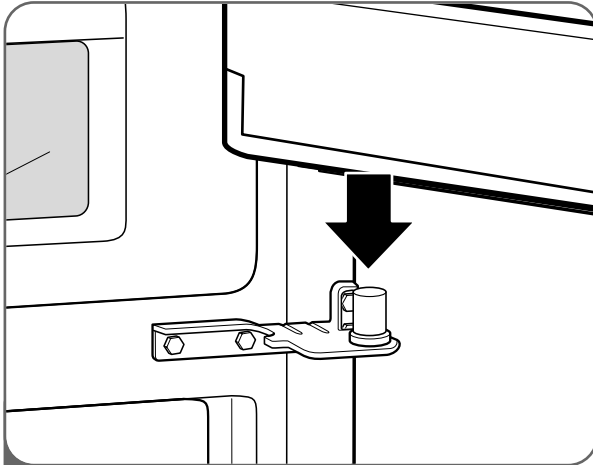
IMPORTANT : Lorsque vous soulevez la charnière pour libérer le verrou, faites attention car la porte est lourde et peut tomber vers l'avant.

- Soulevez la porte à partir de la tige de charnière centrale et enlevez la porte.
- Placez la porte, face intérieure vers le haut, sur une surface non abrasive.

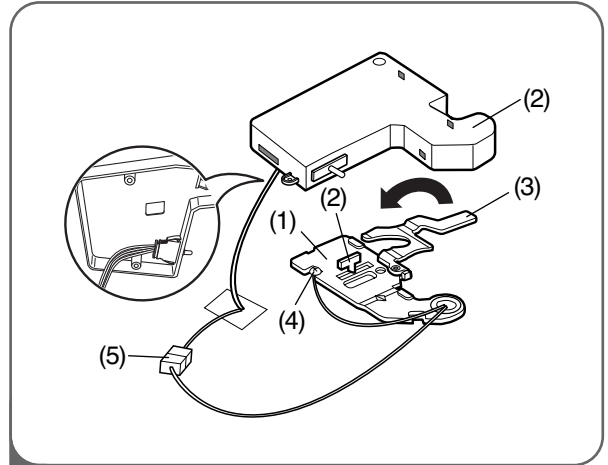
INSTALLATION

DÉPOSE DE LA PORTE DU RÉFRIGÉRATEUR ET DU TIROIR DU CONGÉLATEUR (SUITE)

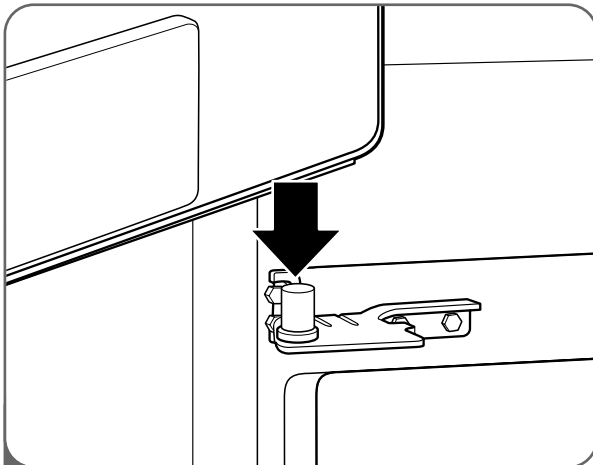
RÉINSTALLATION DE LA PORTE DU RÉFRIGÉRATEUR



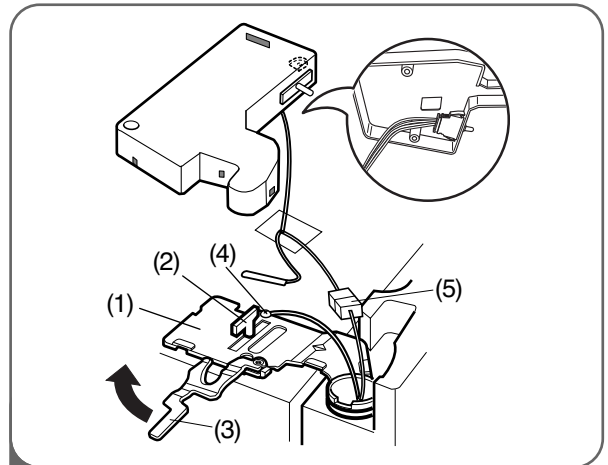
- 1 Commencez par installer la porte de droite.
- Abaissez la porte sur la tige de charnière centrale, comme illustré.
 - Assurez-vous que le manchon en plastique est inséré dans le bas de la porte.



- 2
- Placez la charnière supérieure (1) au dessus du loquet du levier de charnière (2) puis mettez-la en place. Tournez le levier (3) dans le sens antihoraire pour fixer la charnière.
 - Installez la vis de mise à la terre (4) et reliez tous les harnais (5).



- 3 Installez la porte de gauche.
- Abaissez la porte sur la tige de charnière centrale.



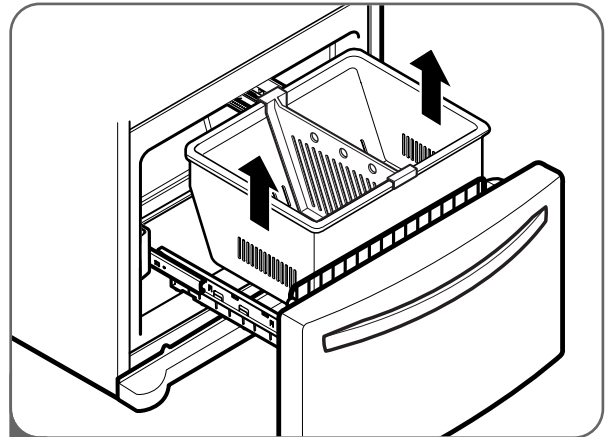
- 4
- Placez la charnière supérieure (1) au dessus du loquet du levier de charnière (2) puis mettez-la en place. Tournez le levier (3) dans le sens horaire pour fixer la charnière.
 - Installez la vis de mise à la terre (4) et reliez tous les harnais (5).

DÉPOSE DE LA PORTE DU RÉFRIGÉRATEUR ET DU TIROIR DU CONGÉLATEUR (SUITE)

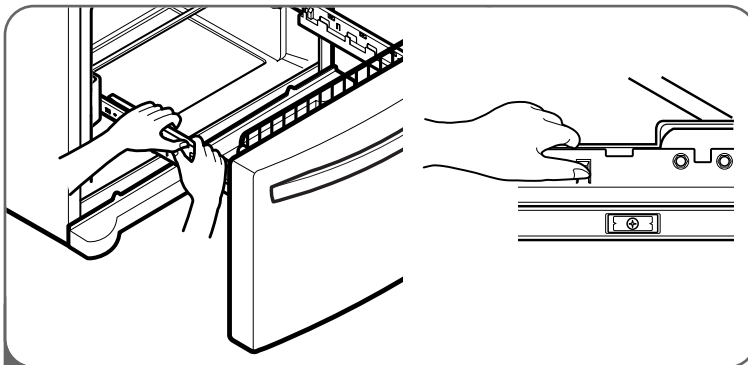
DÉPOSE DU TIROIR DU CONGÉLATEUR

⚠ MISE EN GARDE

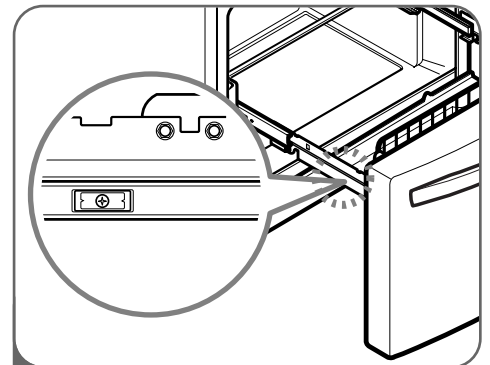
- Veillez à ne pas endommager le produit ou d'autres objets autour en retirant le tiroir du congélateur. Vous aurez peut-être besoin d'aide avec les instructions suivantes.
- Pour éviter tout dommage ne tenez pas la poignée en retirant la porte. Elle pourrait se déboîter et vous blesser.



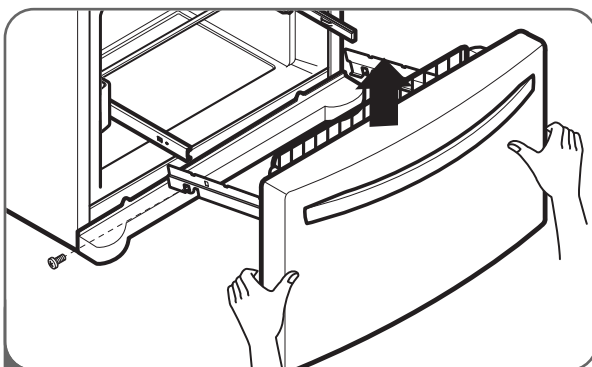
- 1 Pour enlever le tiroir du congélateur, ouvrez-le jusqu'au bout. Retirez le panier inférieur DuraBase® en le soulevant pour le dégager des rails.



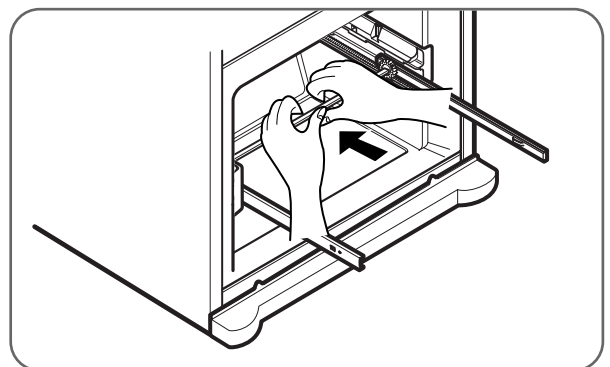
- 2 Séparez les rails gauche et droit du couvercle.



- 3 Retirez les vis du rail des deux côtés.



- 4 Avec les deux mains, maintenez les deux côtés de la porte et tirez pour les séparer.



Avec les deux mains, tordez la barre centrale suffisamment pour déverrouiller du chariot les deux extrémités.

⚠ ATTENTION: Lorsque vous enlevez le tiroir, ne saisissez pas la poignée. Si elle est enlevée, vous pourriez subir des blessures.

⚠ ATTENTION: Lorsque vous placez le tiroir sur le sol, veillez à ne pas endommager le plancher.

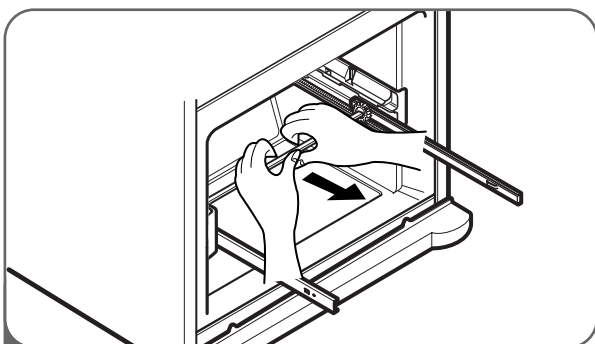
INSTALLATION

DÉPOSE DE LA PORTE DU RÉFRIGÉRATEUR ET DU TIROIR DU CONGÉLATEUR (SUITE)

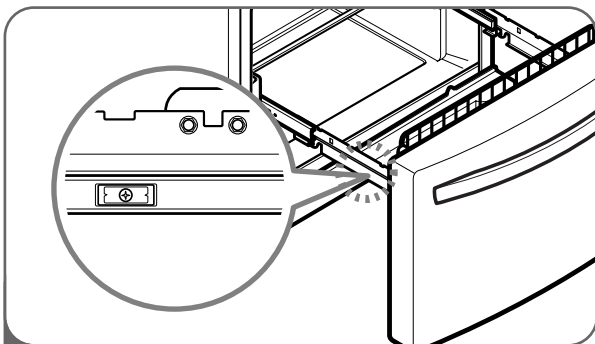
RÉINSTALLATION DU TIROIR DU CONGÉLATEUR

⚠ MISE EN GARDE

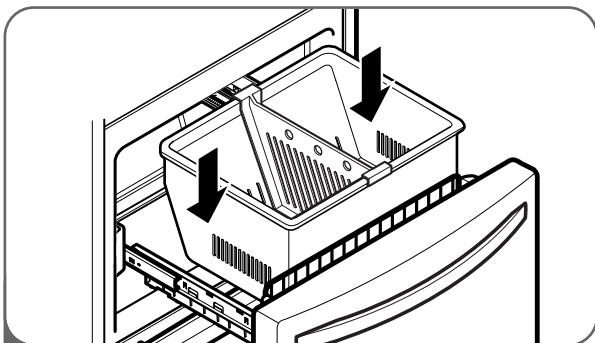
- Afin d'éviter tout risque de blessures ou de dommages au produit ou à la propriété, deux personnes seront nécessaires pour exécuter les instructions suivantes. Vous aurez peut-être besoin d'aide avec les instructions suivantes.



- 1 Pour remettre le tiroir en place, tenez la barre centrale avec les deux mains et tirez-la jusqu'à la pleine extension des rails.



- 3 Vérifiez la forme de gauche et droite du rail du couvercle.

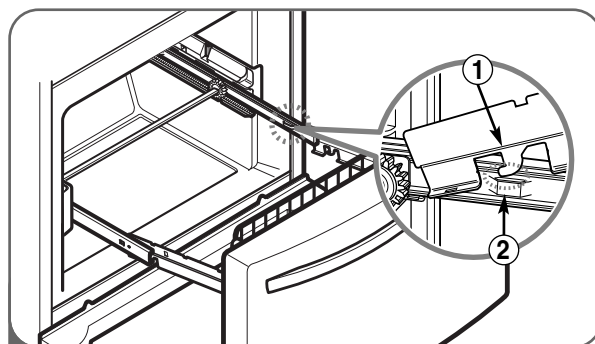


- 5 Avec le tiroir étendu à son extension totale, insérez le panier inférieur dans le système de guidage jusqu'à ce qu'il ne se déplace pas en avant.

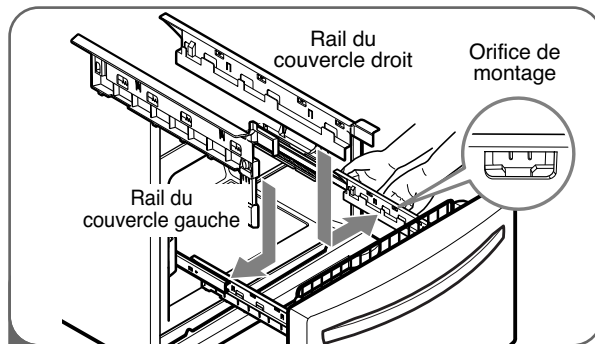
⚠ AVERTISSEMENT

Risque de piégeage des enfants

- Pour éviter le piégeage accidentel des enfants ou des animaux domestiques et les risques de suffocation, NE leur permettez PAS de jouer à l'intérieur du tiroir du congélateur.
- ÉVITEZ de mettre le pied ou de vous asseoir sur le tiroir.



- 2 Montez le connecteur de la porte (1) sur le bras du rail (2).



- 4 Alignez les orifices du haut du rail du couvercle avec ceux du bas du connecteur de la porte pour monter le rail du couvercle.

⚠ AVERTISSEMENT: Pour éviter que les enfants ou les animaux domestiques puissent rester attrapés ou suffoqués dedans, ne leur permettez pas de jouer dans l'intérieur du tiroir.

⚠ AVERTISSEMENT: Ne marchez ni ne vous asseyez sur la porte du congélateur.

REPLACEMENT DE L'ÉCLAIRAGE

Pour changer l'éclairage du réfrigérateur, procédez comme suit :

Ce modèle est équipé d'un éclairage intérieur LED spécifique et son entretien doit être confié à un technicien qualifié.

⚠ AVERTISSEMENT

Risque de choc électrique

Avant de remplacer une ampoule d'éclairage grillée, débranchez le réfrigérateur ou coupez l'alimentation à partir du disjoncteur ou de la boîte à fusibles.

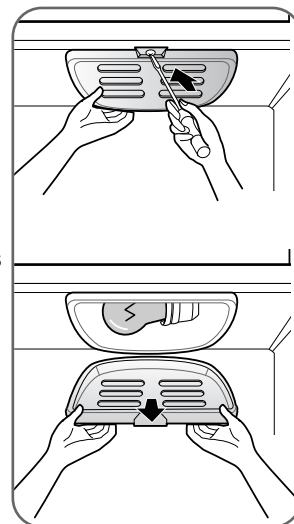
REMARQUE: Le fait de mettre le contrôle en position OFF ne coupe pas l'alimentation du circuit d'éclairage.

REMARQUE:

- Pas toutes les ampoules pour appareils ménagers ne fonctionneront dans votre réfrigérateur. Assurez-vous de remplacer l'ampoule grillée pour une autre de la même dimension, forme et voltage.
- Les ampoules s'éteindront si la porte reste ouverte pendant sept minutes. Le fait de refermer la porte pendant une seconde rallume les ampoules.

Pour remplacer l'ampoule du congélateur

1. Débranchez le cordon d'alimentation de la prise secteur.
2. À l'aide d'un tournevis, déposez la vis du capot. (mettez cette vis de côté, vous en aurez besoin plus tard)
3. À l'aide d'un outil plat tel qu'un tournevis, dégagez le couvercle de la lampe en faisant levier, comme indiqué dans l'illustration ci-dessous. Faites pivoter le couvercle vers le bas pour dégager les attaches à l'arrière.
4. Vérifiez que l'ampoule n'est pas trop chaude au toucher. Tournez l'ampoule dans le sens contraire des aiguilles d'une montre pour la retirer.
5. Remplacez-la par une ampoule neuve similaire de 60 watts.
6. Insérez les attaches situées à l'arrière du couvercle dans les fentes correspondantes de la paroi supérieure du compartiment congélateur. Poussez vers le haut sur l'avant du couvercle pour le cliquer en place.
7. À l'aide d'un tournevis, fixez la vis du capot.



⚠ MISE EN GARDE

- N'INTRODUISEZ PAS les doigts à l'intérieur du couvercle. L'ampoule peut être chaude.

RACCORDEMENT À L'ALIMENTATION D'EAU

⚠️ AVERTISSEMENT

Raccordez-vous à une alimentation d'eau potable seulement.

- La machine à glaçons automatique nécessite une pression d'eau de 20 à 120 psi (1,4 à 8,4 kgf/cm²) sur les modèles sans filtre à eau, et de 43 à 121 psi (3 à 8,5 kgf/cm²) sur les modèles avec filtre à eau.
- Si la pression d'eau n'atteint pas 20 psi (1,4 kgf/cm²) ou tombe sous cette valeur, la machine à glaçons et le distributeur d'eau doivent chacun être dotés d'une pompe de pression distincte pour fonctionner normalement.
- Il est recommandé que la longueur totale du tube d'alimentation d'eau ne dépasse pas 26 pi (8 m).
- Installez la conduite d'eau à un endroit où elle ne sera pas affectée par la chaleur.
- Si un **système de filtration d'eau à osmose inverse** est connecté à votre canalisation d'eau froide, cette installation n'est pas garantie par le fabricant du réfrigérateur ou de la machine à glace. Veuillez suivre attentivement les instructions suivantes pour réduire les risques de dégâts causés par l'eau, pouvant s'avérer coûteux.
- Si un **système de filtration d'eau à osmose inverse** est connecté à votre canalisation d'eau froide, la pression d'eau de ce système doit être d'au moins 40 à 60 psi (2,8 kgf/cm² ~ 4,2 kgf/cm², c'est-à-dire qu'il faut moins de 2 ou 3 secondes pour remplir un verre d'une capacité de 20 cl).
Si la pression d'eau du système à osmose inverse est inférieure à 20 psi (1,4 kgf/cm², c'est-à-dire qu'il faut plus de 4 secondes pour remplir un verre d'une capacité de 20 cl):
 - Vérifiez que le filtre à sédiments du système à osmose inverse n'est pas bouché. Remplacez le filtre si nécessaire.
 - Laissez le réservoir de stockage du système à osmose inverse le temps qu'il se remplisse à nouveau après un usage intensif.
 - Si le problème de pression d'eau du système à osmose inverse persiste, faites appel à un plombier qualifié et agréé.

IMPORTANT : Lisez toutes les directives attentivement avant de commencer.

- Si le réfrigérateur doit fonctionner avant d'effectuer le raccordement à l'alimentation d'eau, mettez la machine à glaçons à la position OFF (Arrêt) pour empêcher son fonctionnement à vide.
- Toutes les installations doivent se conformer aux codes locaux qui régissent les travaux de plomberie.
- Utilisez des conduites en cuivre et vérifiez les fuites.
- Installez les conduites uniquement dans des endroits où la température se maintiendra au-dessus du point de congélation.
- La machine à glaçons peut prendre jusqu'à 24 heures pour commencer à produire de la glace.

Outils requis

- Tournevis standard
- Clés à fourche de 7/16 et 1/2 po ou deux clés réglables
- Tournevis à douille de 1/4 po
- Mèche de 1/4 po
- Perceuse manuelle ou électrique (correctement mise à la terre)

REMARQUE : Les concessionnaires de réfrigérateurs offrent une trousse qui comprend un robinet d'arrêt à étrier de 1/4 po, un raccord, et une conduite en cuivre. Avant de vous la procurer, assurez-vous de la conformité du robinet d'arrêt à étrier aux codes locaux qui régissent les travaux de plomberie. N'utilisez pas un robinet de type perforant ou un robinet d'arrêt à étrier de 3/16 po car ceux-ci réduisent le débit d'eau et s'obstruent plus facilement.

Alimentation d'eau froide

- Le robinet d'adduction d'eau de la machine à glaçons est doté d'une électrovanne qui sert de régulateur de pression.
- La machine à glaçons doit être raccordée à une conduite d'eau froide dont la pression est de 20 à 120 psi (1,4 à 8,4 kgf/cm²) sur les modèles sans filtre à eau, et de 43 à 121 psi (3 à 8,5 kgf/cm²) sur les modèles avec filtre à eau.

RACCORDEMENT DES CONDUITES D'EAU

IMPORTANT : Avant de raccorder les tubes à la conduite d'eau, débranchez le réfrigérateur de la prise ou coupez l'alimentation électrique.

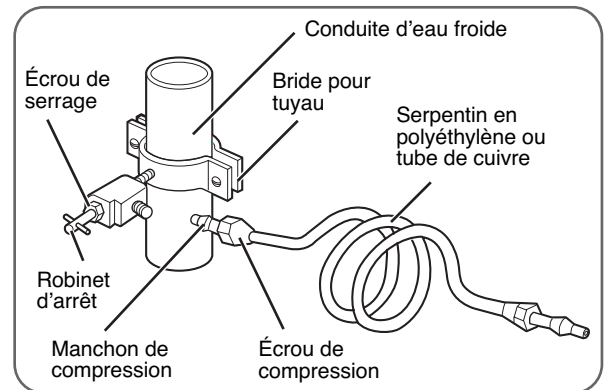
- Coupez la conduite d'eau principale et ouvrez le robinet le plus proche afin de libérer la pression dans la conduite. L'ouverture d'un robinet extérieur peut faciliter le drainage de l'eau de la conduite de la maison.
- Repérez une conduite d'eau FROIDE verticale de 1/2 po à proximité du réfrigérateur.

REMARQUE : Une conduite horizontale fera aussi l'affaire, à condition cependant de prendre la précaution suivante : percez sur le dessus de la conduite et non en dessous. Ceci contribuera à éloigner l'eau de la perceuse et à empêcher les sédiments de s'accumuler dans le robinet d'arrêt.

- Pour déterminer la longueur du tube de cuivre qu'il vous faut, mesurez la distance entre le raccord du réfrigérateur (situé dans la partie inférieure gauche à l'arrière du réfrigérateur) et la conduite d'eau. Ajoutez 7 pi (2,1 m) pour être en mesure de déplacer le réfrigérateur lors du nettoyage. Utilisez un tube de cuivre d'un diamètre extérieur de 1/4 po. Assurez-vous que les deux extrémités du tube sont coupées à angle droit.
- À l'aide d'une perceuse, percez un trou de 1/4 po dans la conduite d'eau froide que vous avez repérée.
- Fixez le robinet d'arrêt sur la conduite d'eau froide à l'aide de la bride pour tuyau. Assurez-vous que le raccord du robinet est bien inséré dans le trou de 1/4 po qui a été percé dans la conduite d'eau et que la rondelle de tanchéité se trouve sous la bride. Serrez l'é crou de serrage. Ensuite, serrez uniformément et avec

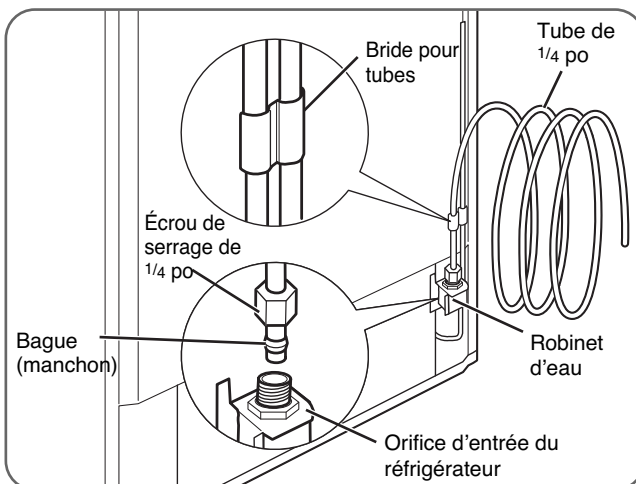
soin les vis de la bride afin que la rondelle forme un joint bien étanche. Ne serrez pas trop car vous pourriez écraser le tube de cuivre, en particulier s'il s'agit d'un serpentin souple. Vous êtes maintenant prêt à raccorder le tube de cuivre.

- Glissez le manchon et l'é crou à compression sur le tube de cuivre, comme illustré. Insérez en ligne droite et aussi loin que possible l'extrémité du tube dans l'orifice de sortie du robinet. À l'aide d'une clé, vissez l'é crou de compression sur l'orifice de sortie. Une clé polygonale ouverte est l'idéal, mais une clé à fourche fera l'affaire. Ne serrez pas à l'excès.
- Placez l'extrémité libre du tube dans un contenant ou un évier, puis rétablissez l'alimentation d'eau dans la conduite principale. Rincez le tube jusqu'à l'obtention d'une eau claire. Fermez le robinet d'arrêt sur la conduite d'eau. Enroulez le tube de cuivre comme illustré ci-dessous.



IMPORTANT : Avant de raccorder le tube au réfrigérateur, assurez-vous que le cordon du réfrigérateur n'est pas branché dans la prise murale.

REMARQUE : Un filtre externe est proscrit si votre réfrigérateur est déjà équipé d'un filtre intégré.



- Retirez le capuchon flexible en plastique du robinet d'eau.
- Placez l'é crou de serrage et la bague sur l'extrémité du tube, comme illustré.

- Insérez aussi loin que possible l'extrémité du tube de cuivre dans l'orifice d'entrée. Serrez le raccord tout en tenant le tube.

IMPORTANT : Serrez tout raccordement où une fuite est détectée. Ouvrez l'eau au niveau du robinet d'arrêt.

- Branchez le réfrigérateur dans la prise.
- Disposez le tube de cuivre à l'arrière du réfrigérateur de manière à ce qu'il ne vibre pas contre le mur ou le réfrigérateur.
- Vérifiez la présence de fuites.
- Avant de raccorder la conduite d'eau sur la maison, vidanger la conduite d'eau pendant deux minutes.

REMARQUE : L'é coulement de l'eau peut prendre quelques secondes pour laisser le réservoir se remplir et l'air s'expulser des conduites.

- Poussez le réfrigérateur contre le mur.
- Mettre l'interrupteur de la machine à glaçons à la position ON (Marche).

REMARQUE : La machine à glaçons devra atteindre 15°F (-9°C) pour commencer à fonctionner. Le démarrage se fera alors automatiquement.

REMARQUE : Jetez les premiers lots de glaçons (environ 20 glaçons).

MISE À NIVEAU DES PORTES DU RÉFRIGÉRATEUR

⚠️ AVERTISSEMENT

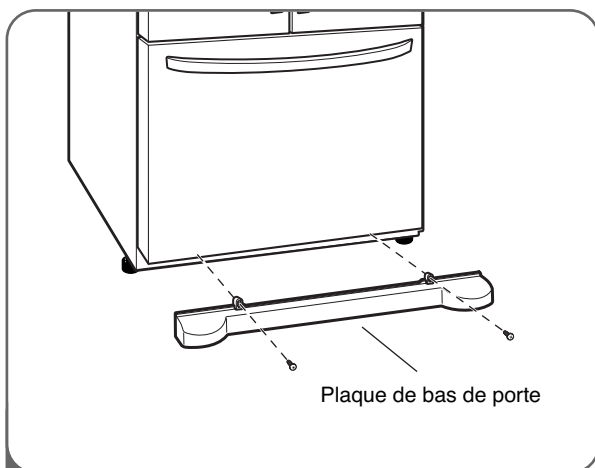
Risque d'électrocution

- Soyez prudent lorsque vous travaillez avec la charnière, la grille basale, ou la butée. Vous pourriez vous blesser.
- Ne mettez pas les mains, les pieds ni de pièces métalliques dans les événements, dans la grille, ou dans le bas du réfrigérateur. Vous pourriez vous blesser ou subir un choc électrique.

Nivellement

Une fois l'installation terminée, fixez le produit avec les PIEDS de sorte qu'il ne bouge ni à droite ni à gauche.

Votre réfrigérateur est doté de deux pattes de nivellement frontales, l'une à gauche et l'autre à droite. Réglez les pattes pour corriger le balancement d'avant en arrière ou d'un côté à l'autre. Si votre réfrigérateur semble instable ou si vous voulez que les portes ferment plus facilement, ajustez l'inclinaison du réfrigérateur en utilisant les instructions suivantes:



- 1 Branchez le cordon électrique dans une prise trifilaire à contact de mise à la terre et déplacez le réfrigérateur à sa position finale.

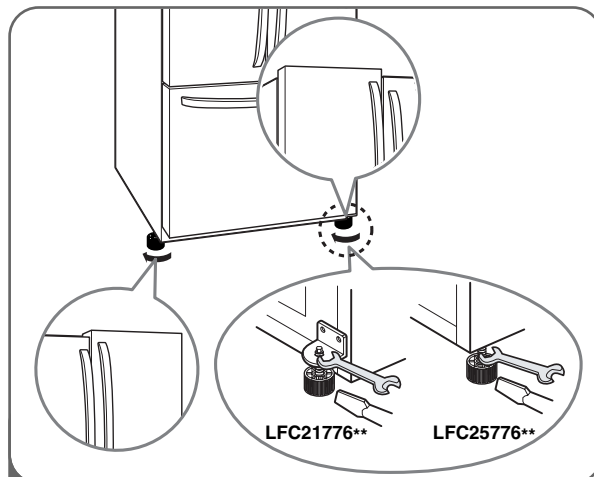
Enlevez les vis de la plaque de bas de porte, puis la plaque.

- Ouvrez le tiroir du congélateur.
- Une fois ouvert, vous disposez de suffisamment d'espace pour enlever les vis sur le dessus de la plaque de bas de porte.

REMARQUE : Pour replacer la plaque, mettez-la en position, insérez les vis puis serrez.

⚠️ MISE EN GARDE

- Afin d'éviter tout risque de blessures ou de dommages au produit ou à la propriété, deux personnes seront nécessaires pour exécuter les instructions suivantes.



- 2 Nivelez le réfrigérateur en employant une clé 11/32 pouces (8mm), 11/16 pouces (18mm) ou un tournevis plat, augmentez (dans le sens des aiguilles d'une montre) ou diminuez (dans le sens contraire aux aiguilles d'une montre) la hauteur du pied de nivellement gauche/droit pour niveler le réfrigérateur.

REMARQUE : Une poussée vers l'arrière sur le dessus du réfrigérateur enlève du poids sur les pattes de nivellement et facilite ainsi leur réglage.

REMARQUE : Ouvrez les deux portes pour vous assurer qu'elles se referment aisément. Sinon, vissez encore les deux pattes de nivellement dans la même proportion et dans le sens horaire pour accroître la hauteur.

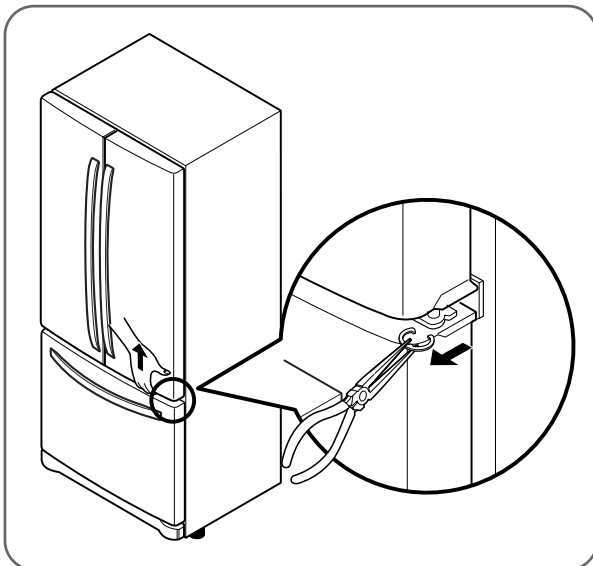
Une fois le réfrigérateur de niveau, remplacez la plaque de bas de porte.

REMARQUE : Le compartiment réfrigérateur de votre nouvel électroménager présente un design exclusif à deux portes. Chacune peut s'ouvrir ou se fermer indépendamment. Vous devrez exercer une légère pression sur les portes pour les fermer complètement.

REMARQUE : Pour éviter que le réfrigérateur ne bouge, fixez-le au sol en vissant ou en dévissant les pieds avant de l'utiliser.

MISE À NIVEAU DES PORTES DU RÉFRIGÉRATEUR (SUITE)

ALIGNEMENT DES PORTES



Si l'espace entre les portes est irrégulier, suivez les instructions ci-dessous pour aligner les portes :

- D'une main, soulevez la porte que vous souhaitez élever au niveau de la charnière du milieu.
- De l'autre main, utilisez des pinces afin d'insérer l'anneau élastique comme sur l'illustration.
- Insérez des anneaux élastiques supplémentaires jusqu'à ce que les portes se trouvent l'une en face de l'autre. (Trois anneaux élastiques sont fournis avec l'appareil.)

DÉMARRAGE

Avant de placer des aliments frais dans votre réfrigérateur :

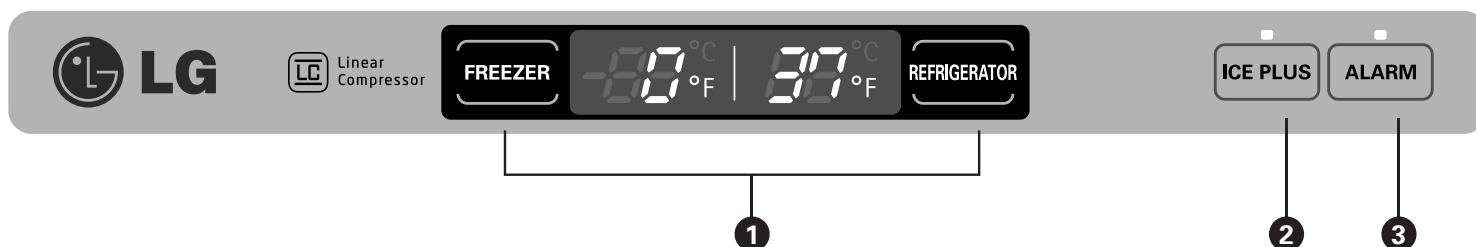
- Enlevez le ruban adhésif et toute étiquette temporaire avant d'utiliser le réfrigérateur. Pour faire partir les résidus de colle, frottez vivement la surface collante avec le pouce, ou frottez avec les doigts en ajoutant du liquide à vaisselle. Essuyez ensuite avec de l'eau chaude puis asséchez. N'utilisez pas d'outils coupants, d'alcool à friction, de liquides inflammables, ni de nettoyeurs abrasifs pour enlever le ruban adhésif ou la colle.

REMARQUE : N'enlevez pas les étiquettes d'avertissement ou de mise en garde, celles qui affichent les numéros de modèle et de série, ni les fiches techniques fixées à l'arrière du réfrigérateur.

- Nettoyez votre réfrigérateur à fond et essuyez toute la poussière qui a pu se déposer pendant le transport.
- Installez les accessoires comme le bac à glaçons, les tiroirs et les étagères à leurs emplacements prévus. Ils sont emballés ensemble pour prévenir les dommages durant le transport.
- Réglez selon vos besoins les températures du réfrigérateur et du congélateur (voir la section Réglage des températures et des fonctions).
- Laissez votre réfrigérateur fonctionner pendant au moins 2 ou 3 heures avant d'y placer des aliments. Vérifiez la circulation d'air froid dans le compartiment congélateur pour vous assurer que le refroidissement est adéquat. Votre réfrigérateur est maintenant prêt à servir.

UTILISATION DU RÉFRIGÉRATEUR

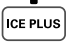
CONFIGURATIONS DES COMMANDES



1 TEMPÉRATURE

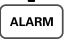
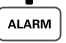
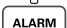
- Votre réfrigérateur possède une plage de commande à l'intérieur du compartiment du réfrigérateur qui vous permet de régler la température dans les compartiments du congélateur et du réfrigérateur.
- Réglez initialement la commande du réfrigérateur à 37°F (3°C) et la commande du congélateur à 0°F (-18°C). Laissez-les avec ces réglages durant 24 heures (un jour) pour qu'ils se stabilisent. Ajustez ensuite la température du compartiment comme vous le souhaitez.
- Commande de température du réfrigérateur : 0°C à 8°C (33°F à 46°F)
Plus le chiffre du réglage est bas, plus le compartiment réfrigérateur devient froid.
- Commande de température du congélateur : -6°F à 8°F (-21°C à -13°C)
Plus le chiffre du réglage est bas, plus le compartiment congélateur devient froid. Le compartiment réfrigérateur se réchauffe parce qu'il y a moins d'air froid qui circule dans le réfrigérateur.

2 ICE PLUS

- Lorsque vous appuyez sur la touche ICE PLUS, le symbole [] s'allume à l'écran et reste allumé pendant 24 heures. Il s'éteint automatiquement après 24 heures. Ou bien vous pouvez arrêter cette fonction manuellement en appuyant encore une fois sur la touche.
- Cette fonction augmente à la fois les capacités de fabrication de glaçons et de congélation.

REMARQUE: Si vous voulez changer de °F à °C, appuyez en même temps sur le bouton FREEZER et sur le bouton REFRIGERATOR et maintenez-les enfoncés pendant plus de 5 secondes et si vous voulez changer de °C à °F, appuyez encore une fois sur ces boutons et maintenez-les enfoncés pendant 5 secondes.

3 ALARME

- Lorsque le réfrigérateur est branché à l'alimentation, l'alarme de la porte est réglée initialement à ON et l'écran de l'alarme de la porte affiche [] Alarm (ON).
- Lorsque la porte du réfrigérateur ou du congélateur est laissée ouverte pendant plus de 60 secondes, l'alarme tintera pour vous laisser savoir que la porte est ouverte.
- Lorsque vous fermez la porte, l'alarme de la porte cessera de tinter.
- Si vous voulez désactiver la fonction d'alarme de la porte, appuyez sur la touche [] Alarm, puis l'affichage de l'alarme de la porte changera pour [] Alarm (OFF).

⚠ ATTENTION

Réglage et annulation du mode d'affichage

- Tandis que la porte du réfrigérateur est ouverte, maintenez les boutons REFRIGERATOR ICE et ICE PLUS pressés pendant plus de 5 secondes, puis l'appareil passe en mode affichage avec un indicateur sonore spécial.
- Procédez de la même manière pour annuler le mode affichage.
- L'ensemble de l'unité de congélation sera mis hors fonction en mode affichage (Exceptions : Lampe, Affichage)

MACHINE À GLAÇONS AUTOMATIQUE

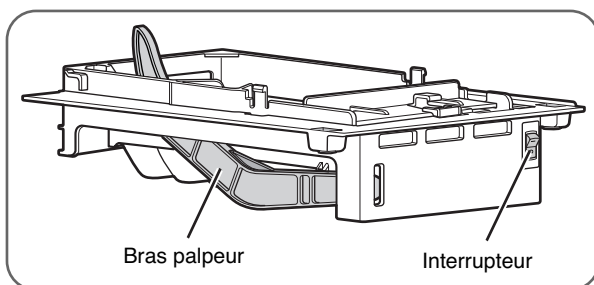
⚠️ AVERTISSEMENT

Risque de blessures personnelles

- N'introduisez PAS les mains dans la fabrique de glace pendant son fonctionnement. Vous pourriez vous blesser.

Instructions de fonctionnement

Un réfrigérateur qui vient d'être installé peut tarder de 12 à 24 heures à fabriquer de la glace.



La machine à glaçons produit 12 cubes par cycle, approximativement 90 à 130 cubes par période de 24 heures, selon la température du compartiment du congélateur, de la température ambiante, de la fréquence d'ouverture des portes, et d'autres conditions de fonctionnement.

Si le réfrigérateur est utilisé avant de réaliser le raccordement de l'eau à la machine à glaçons, mettez l'interrupteur en O (off).

Si le réfrigérateur a été raccordé à une source d'eau, mettez l'interrupteur en I (on).

La machine à glaçons se remplira d'eau lorsqu'elle est assez froide pour congeler. Un réfrigérateur qui vient d'être installé peut tarder de 12 à 24 heures à fabriquer des glaçons.

Jetez les premiers lots de glaçons pour vous assurer que le conduit d'eau est propre.

Vérifiez que rien n'obstrue le balayage du bras palpeur.

Lorsque le compartiment atteint le niveau du bras palpeur, la machine à glaçons arrête la production de glace.

Il est normal que plusieurs glaçons soient collés.

Si les glaçons ne sont pas utilisés souvent, ils deviennent troubles, avec un goût de moisi et rétrécis.

REMARQUE: Si la dimension du cube est inférieure ou supérieure à ce que vous vous attendiez, vous pouvez la régler avec le bouton de sélection de dimension des cubes.

Chaque fois que vous appuyez sur ce bouton, le voyant supérieur suivant s'allume. Le voyant se trouvant le plus haut correspond à la plus large dimension des cubes. Étant dans la position la plus haute, si vous appuyez encore sur le bouton, le voyant se trouvant le plus bas s'allumera.

Quand vous devez mettre l'interrupteur de la machine à glaçons en O(off)

- Lorsque l'approvisionnement d'eau sera coupée pendant plusieurs heures.
- Lorsque le bac à glace sera enlevé pendant plus d'une ou deux minutes.
- Lorsque le réfrigérateur ne sera pas utilisé pendant plusieurs jours.

Bruits normaux que vous pouvez entendre

- La vanne à eau de la machine à glaçons bourdonnera lorsque la machine se remplit d'eau. Si l'interrupteur est en position I (on), elle bourdonnera même si elle n'a pas encore été raccordée à l'eau. Pour arrêter le bourdonnement, mettez l'interrupteur en O (off).
REMARQUE: Si vous gardez l'interrupteur en position I (on) avant de raccorder le conduit d'eau, vous pouvez endommager la machine à glaçons.
- Vous entendrez le bruit des cubes tombant dans le bac et de l'eau coulant dans les tuyaux lors du remplissage de la machine à glaçons.

Préparation pour les vacances

Mettez l'interrupteur de la machine à glaçons en O (off) et coupez l'approvisionnement d'eau du réfrigérateur. Si la température ambiante tombe au-dessous du niveau de congélation, contactez un technicien qualifié pour drainer le système d'approvisionnement d'eau, afin d'éviter des dommages matériels graves à cause d'un conduit ou d'un raccordement d'eau brisé.

UTILISATION DU RÉFRIGÉRATEUR

CONSERVATION DES ALIMENTS

- Entrez les aliments frais dans le compartiment réfrigérateur.
- La façon dont les aliments sont congelés et décongelés constitue un facteur important de préservation de la fraîcheur et de la saveur.
- N'entrez pas les aliments qui se gâtent facilement, tels les bananes et melons, à de basses températures.
- Laissez refroidir les aliments chauds avant de les entreposer, sinon ils présentent un risque de gâter les autres aliments et d'augmenter la consommation d'électricité.
- Recouvrez les aliments que vous entreposez d'une pellicule de plastique ou placez-les dans un contenant muni d'un couvercle. En empêchant ainsi l'humidité de s'évaporer, les aliments conserveront davantage leur saveur et leur valeur nutritive.
- Ne bloquez pas les ouvertures d'aération avec des aliments ou des contenants. La libre circulation d'air froid contribue à uniformiser la température.
- N'ouvrez pas les portes trop fréquemment. L'ouverture des portes fait pénétrer de l'air chaud dans les compartiments réfrigérateur et congélateur et entraîne ainsi une élévation de la température.
- Ne surchargez jamais les étagères de contre-porte, car les articles risquent de percuter les étagères à l'intérieur et ainsi empêcher les portes de fermer correctement.

Compartiment congélateur

- N'entrez pas de bouteilles de verre dans le compartiment congélateur puisque le verre risque d'éclater quand le contenu gèle.
- Ne recongelez pas les aliments décongelés car une perte de saveur et de valeurs nutritives s'en suivrait.
- Ne touchez pas avec les mains mouillées aux contenants froids, en particulier s'ils sont faits de métal, ni aux aliments congelés; ne placez pas d'articles en verre dans le compartiment congélateur.
- Ne vous servez pas du casier à oeufs comme d'un bac à glace dans le congélateur, la boîte à oeufs casse facilement si elle gèle.

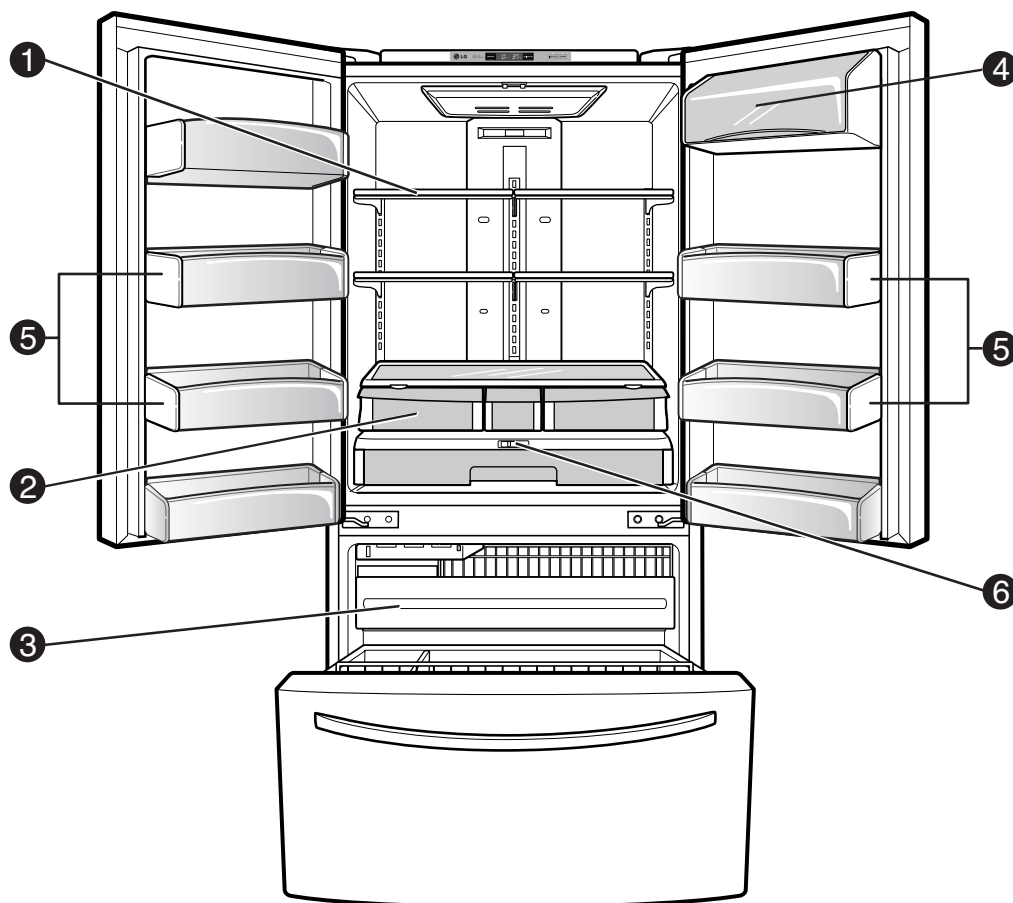
Compartiment réfrigérateur

- Évitez de placer des aliments humides sur les étagères supérieures du réfrigérateur; ces aliments pourraient geler au contact direct de l'air froid.
- Lavez toujours les aliments avant de les réfrigérer. Lavez et essuyez les légumes et les fruits et essuyez les aliments emballés pour éviter de gâter les aliments adjacents.

REMARQUE : Si le réfrigérateur est situé dans un endroit chaud et humide, l'ouverture fréquente des portes ou l'entreposage d'une grande quantité de légumes entraînera la formation de condensation. Essuyez cette condensation à l'aide d'un linge propre ou d'une serviette de papier.

UTILISATION DU RÉFRIGÉRATEUR

RANGEMENT DES ALIMENTS



1 CLAYETTE DU COMPARTIMENT CONGÉLATEUR

Reçoit les aliments, plats, et contenants plus volumineux sur les clayettes réglables du compartiment réfrigérateur.

2 BAC À LÉGUMES

Reçoit des fruits et légumes, avec contrôle de l'humidité.

3 TIROIR DU COMPARTIMENT CONGÉLATEUR

Reçoit les aliments congelés en petits emballages ainsi que la viande, le poisson, et la volaille une fois qu'ils ont été enveloppés dans une mince feuille d'aluminium. Entrez les aliments à l'état sec.

4 BALCONNET DES PRODUITS LAITIERS

Reçoit des produits laitiers comme le beurre et le fromage.

5 BALCONNETS STANDARD

Reçoivent des petits emballages et breuvages tels que condiments, sauces pour salade, aliments pour bébés, lait et jus.

6 GLIDE'N'SERVE (GLISSEZ ET SERVEZ)

Fournit un espace de stockage avec un contrôle de température variable qui permet de disposer d'un compartiment plus froid que le reste du réfrigérateur.

UTILISATION DU RÉFRIGÉRATEUR

RÉGLAGE DE LA HAUTEUR DES CLAYETTES

Les clayettes de votre réfrigérateur sont réglables afin de s'adapter à vos besoins.

Le rangement d'articles similaires au même endroit et le réglage en hauteur des clayettes faciliteront le repérage de l'article particulier dont vous avez besoin et réduiront le temps d'ouverture des portes, abaissant ainsi votre consommation d'énergie.

IMPORTANT : Ne nettoyez pas les clayettes en verre avec de l'eau chaude lorsqu'elles sont froides.

Elles pourraient se briser suite à un brusque changement de température ou un impact, par exemple en s'y cognant. Pour votre protection, ces clayettes sont faites de verre trempé qui se brisera en petits morceaux de la taille d'un caillou.

REMARQUE : Les clayettes en verre sont lourdes. Retirez-les avec précaution pour éviter de les échapper.

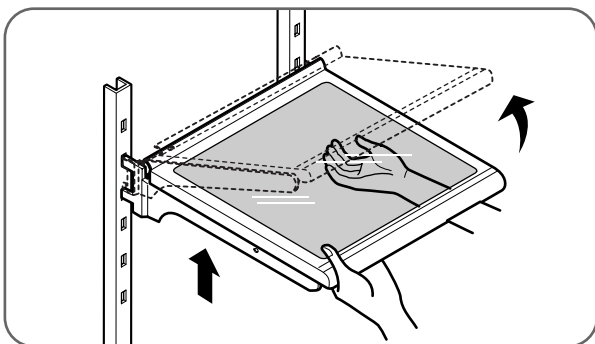
Positionnement des clayettes

Retirez les clayettes de leur position de transport et replacez-les à la position de votre choix.

⚠ MISE EN GARDE

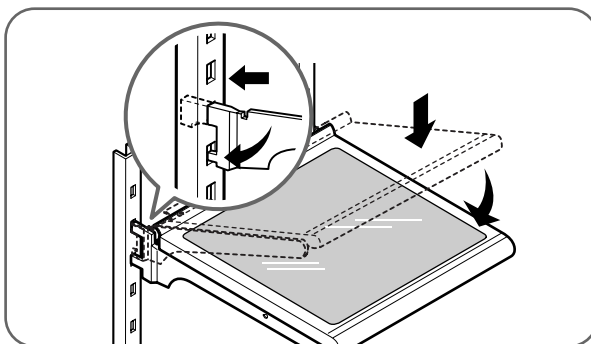
Assurez-vous que les clayettes sont à niveau d'un côté à l'autre. Négliger de le faire pourrait occasionner la chute des clayettes ou des aliments qui s'y trouvent.

Enlèvement d'une clayette



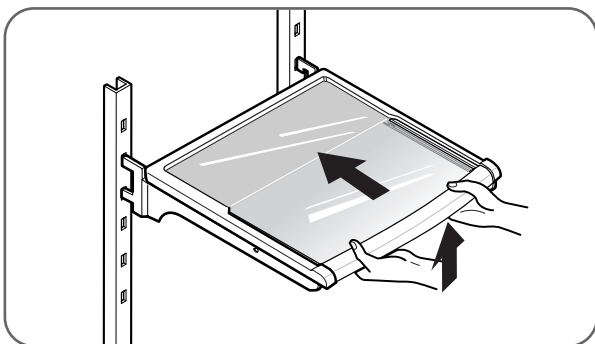
Soulevez l'avant de la clayette. Soulevez ensuite l'arrière et tirez pour la sortir.

Remise en place de la clayette



Soulevez l'avant de la clayette et placez ses crochets dans les fentes à la hauteur voulue. Abaissez ensuite l'avant de la clayette de façon à ce que les crochets tombent dans les fentes.

Tablette pliante



Vous pouvez stocker des articles plus grands comme des bouteilles simplement en repoussant devant vous la moitié de l'étagère en dessous de l'étagère.

Tirer vers vous pour la rétablir complètement.

UTILISATION DU RÉFRIGÉRATEUR

ENLÈVEMENT ET REMISE EN PLACE DES COMPOSANTS

REMARQUE : Lors de la remise en place des composants, inversez l'ordre suivi pour l'enlèvement. Afin de prévenir les dommages, n'utilisez jamais de force excessive lors de l'enlèvement ou de la remise en place de composants.

⚠ MISE EN GARDE

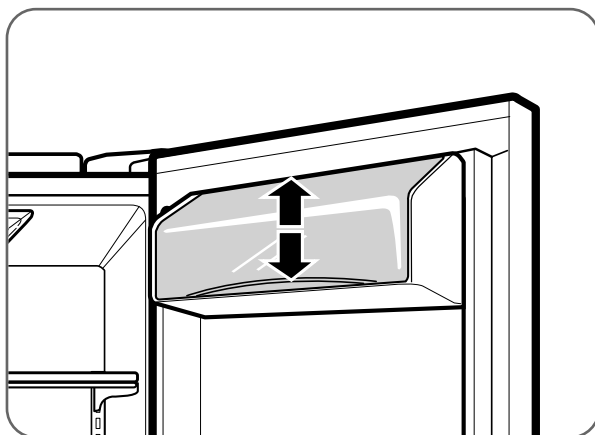
- Des blessures corporelles peuvent résulter de balconnets qui ne sont pas assemblés correctement.

REMARQUE : N'ajustez PAS un balconnet chargé.

- NE permettez PAS aux enfants de jouer avec les paniers. Les coins pointus des paniers peuvent les blesser.

FRANÇAIS

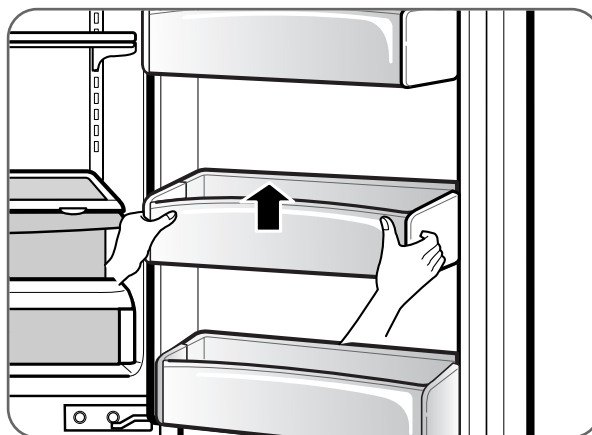
Balconnet des produits laitiers



Pour enlever le balconnet des produits laitiers, vous n'avez qu'à le soulever et le tirer en ligne droite. Pour le replacer, glissez-le en place et poussez par en bas jusqu'à ce qu'il s'immobilise.

REMARQUE : Le balconnet des produits laitiers ne peut se placer que dans la zone supérieure de la contre-porte de droite.

Balconnets Standard

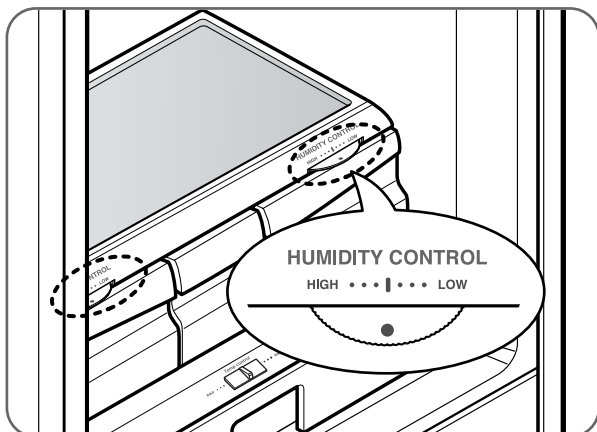


Les balconnets sont amovibles pour faciliter le nettoyage et l'ajustement. Soulevez simplement le balconnet et tirez-le en ligne droite pour l'enlever. Pour le replacer, glissez-le au-dessus du bouton de support voulu, puis poussez-le vers le bas jusqu'à ce qu'il s'immobilise.

UTILISATION DU RÉFRIGÉRATEUR

ENLÈVEMENT ET REMISE EN PLACE DES COMPOSANTS (SUITE)

Contrôle d'humidité des bacs à légumes

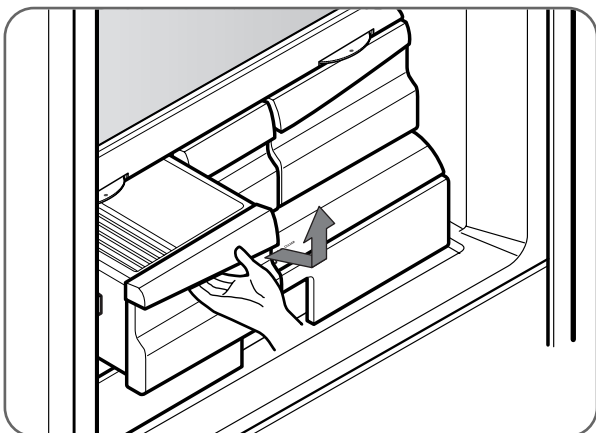


Vous pouvez contrôler le taux d'humidité dans les bacs à légumes protégés contre l'humidité. Stockez les fruits et les légumes nécessitant un taux d'humidité plus ou moins important dans des bacs à légumes séparés. Réglez le contrôle comme vous le souhaitez entre HIGH (élevé) et LOW (bas).

- LOW Enlève l'air humide du bac à légumes pour un meilleur stockage des fruits.
- HIGH Garde l'air humide dans le bac à légumes pour un meilleur stockage des légumes frais et feuillus.

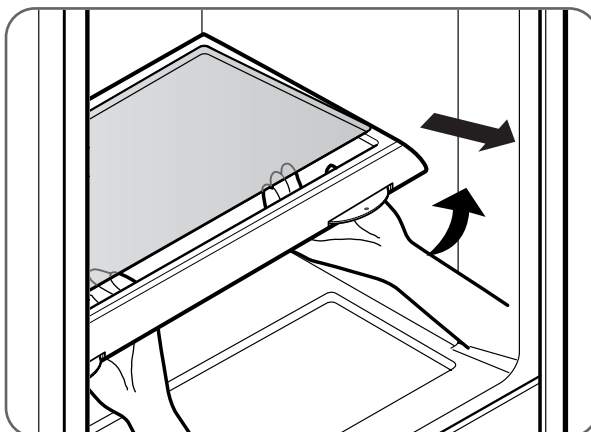
ATTENTION: La tablette de verre sur le bac à légumes n'est pas solidement installée. Faites attention au moment de l'incliner.

Enlèvement des bacs à légumes



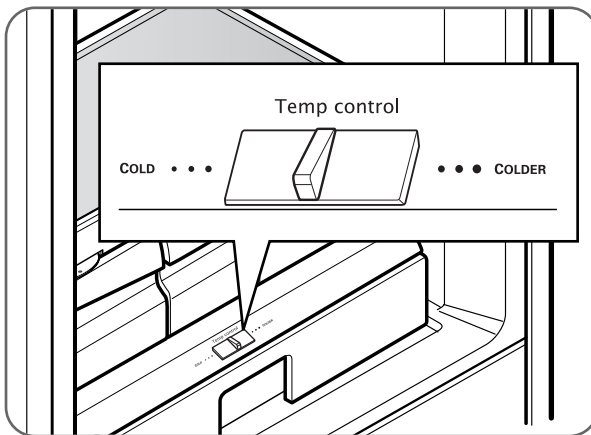
- Pour l'enlever, ouvrez complètement le tiroir.
- Levez le front du bac à légumes et retirez-le.
- Pour le replacer, inclinez à peine le front du bac à légumes, introduisez le tiroir dans le cadre et poussez-le jusqu'à la position originelle.

Pour enlever le verre



- Insérez un doigt dans le trou qui se trouve au-dessous du couvercle du bac à légumes, puis soulevez le verre.
- Tirez du verre en dehors vers le haut.

Glide'N'Serve (Glissez et servez)



Le Glide'N'Serve fournit un espace de stockage avec un contrôle de température variable qui permet de disposer d'un compartiment plus froid que le reste du réfrigérateur. Ce tiroir peut être utilisé pour les grands plateaux, la charcuterie ou les boissons. (mais ce tiroir n'est pas convenable pour les légumes.)

Commandes

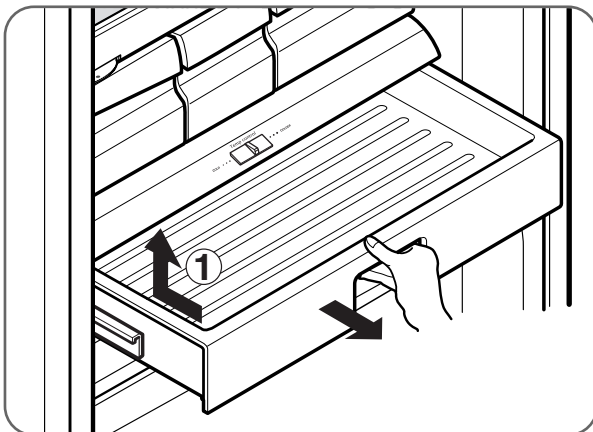
La commande permet de réguler la température d'air dans le tiroir. Réglez la commande sur COLD (imprimé sur la surface) pour obtenir une température normale, identique au réfrigérateur. Réglez sur COLDER (imprimé sur la surface) pour les viandes et autre charcuterie.

REMARQUE: L'air refroidi orienté vers le Glide'N'Serve (Glissez et servez) peut faire diminuer la température du réfrigérateur. Il pourrait alors être nécessaire de régler la commande du réfrigérateur.

UTILISATION DU RÉFRIGÉRATEUR

ENLÈVEMENT ET REMISE EN PLACE DES COMPOSANTS (SUITE)

Pour réinstaller le Glide'N'Serve



- Pour le retirer, tirer le tiroir en totalité.
- Soulevez l'avant du tiroir, puis retirez-le tout droit.
- Pour le replacer, soulevez légèrement l'avant du tiroir et insérez-le dans l'encadrement, et poussez-le jusqu'à ce qu'il soit en place.

⚠ MISE EN GARDE

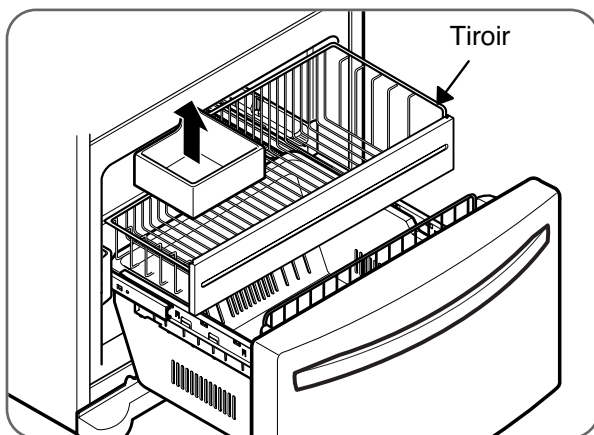
- Si vous fermez la porte du réfrigérateur alors que le tiroir est ouvert, vous risquez de casser ce dernier.

REMARQUE : nous recommandons de retirer le balconnet fixe afin de réduire les risques d'éraflures sur le balconnet.

⚠ MISE EN GARDE

- Risque de coincement ! Gardez les mains et les pieds à l'écart du bas de la porte lors de l'ouverture et de la fermeture.

Bac à glace



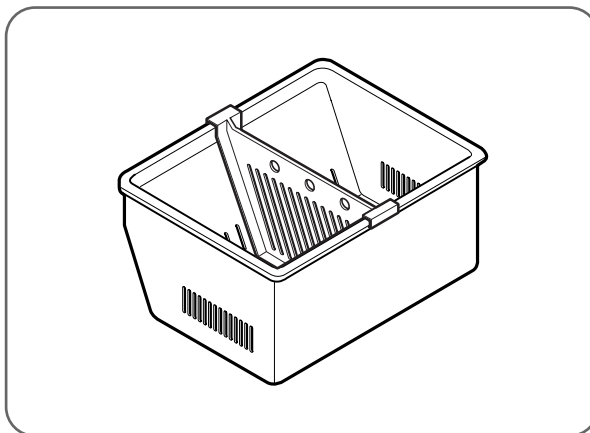
Pour dégager le bac à glace, tirez le tiroir vers l'extérieur à sa pleine extension. En procédant délicatement, soulevez puis tirez le bac à glace pour le sortir. Pour le remettre en place, placez simplement le bac dans la position correcte.

⚠ AVERTISSEMENT

Risque de piégeage des enfants

- Si le séparateur Durabase est retiré, il y a suffisamment d'espace ouvert à l'intérieur pour qu'un enfant ou des animaux se glissent à l'intérieur. Pour prévenir les risques qu'un enfant ou un animal soit coincé ou suffoque accidentellement, NE les laissez PAS jouer à l'intérieur du tiroir.

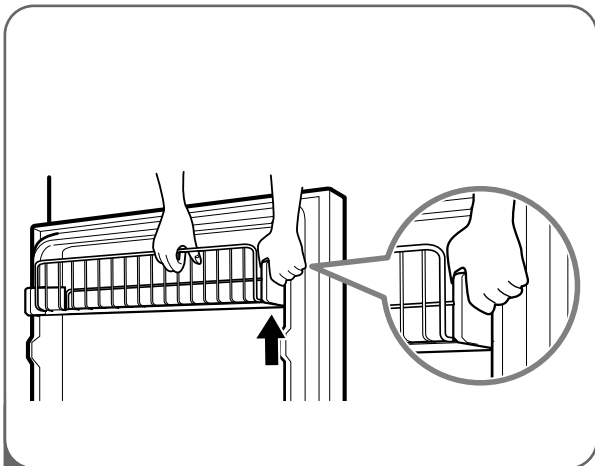
Diviseur DuraBase®



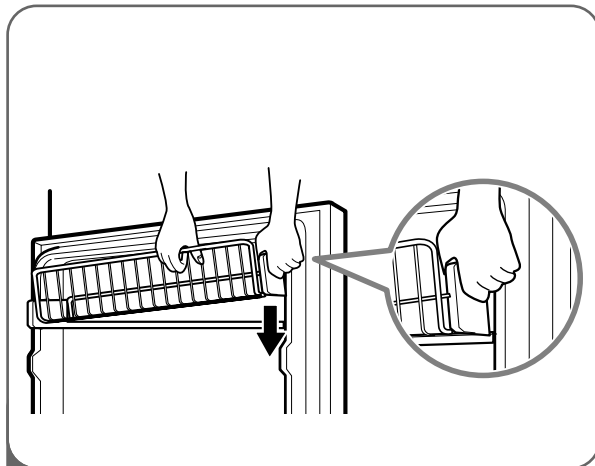
UTILISATION DU RÉFRIGÉRATEUR

ENLÈVEMENT ET REMISE EN PLACE DES COMPOSANTS (SUITE)

Panier à bascule de contre-porte (LFC25776**)



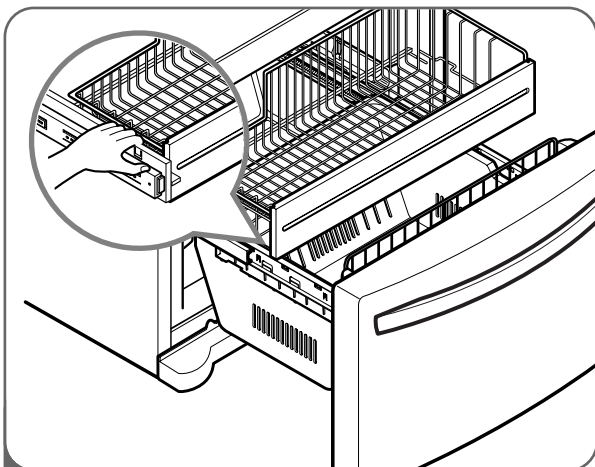
- 1 Pour enlever le panier à bascule de contre-porte, pressez le support d'extrémité vers l'intérieur, puis tirez sur le bord du panier vers le haut pour le sortir.



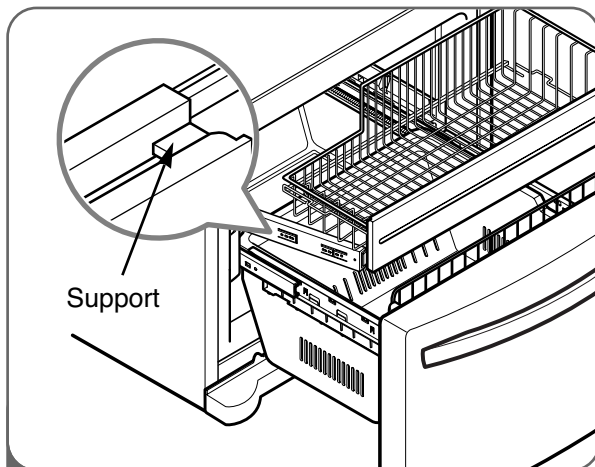
- 2 Pour replacer le panier à bascule, insérez le support sur un côté puis accrochez une extrémité du panier dans le support. Accrochez ensuite l'autre extrémité du panier dans l'autre support, puis poussez le support en place vers le bas.

REMARQUE : Assurez-vous que l'arrière du panier est placé derrière la languette de retenue de chaque support.

Tiroir amovible



- 1 Pour retirer le tiroir, poussez les loquets situés à l'avant de chaque rail. Puis, soulevez légèrement l'arrière du tiroir et retirez-le.



- 2 Pour le réinstaller, tirez les deux rails à fond. Insérez le bout de la nervure dans le bras gauche et droit. Assurez-vous que les guides de l'avant sont correctement alignés, et poussez légèrement les deux côtés vers le bas.

NETTOYAGE DU RÉFRIGÉRATEUR

⚠️ AVERTISSEMENT

Risque d'explosion

- Utilisez un nettoyeur qui n'est pas inflammable.
- L'omission d'observer cette directive peut entraîner le décès, une explosion, ou un incendie.

Les compartiments réfrigérateur et congélateur se dégivrent automatiquement. Cependant, nettoyez ces deux compartiments une fois par mois pour prévenir les odeurs. Nettoyez les déversements immédiatement.

- Débranchez le réfrigérateur.
- Enlevez les composants amovibles comme les clayettes et les bacs à légumes.
- Utilisez une éponge ou un linge doux propre imbibé d'un mélange d'eau chaude et de détergent doux. N'utilisez pas de nettoyeurs abrasifs ni corrosifs.
- Lavez à la main, rincez, puis asséchez complètement toutes les surfaces.
- Rebranchez le réfrigérateur.

REMARQUE : Les vaporisateurs pour fenêtres, les nettoyeurs abrasifs, ou les liquides inflammables peuvent égratigner ou endommager les couvercles et panneaux de plastique.

Nettoyage de l'extérieur

Dans le cas de modèles à carrosserie en acier inoxydable, procurez-vous dans le commerce un nettoyeur spécialement conçu pour ce matériau et observez les directives du fabricant. Vous pouvez aussi utiliser une éponge ou un chiffon doux propre, imbibé d'un mélange d'eau chaude et de détergent doux. N'utilisez pas de nettoyeurs abrasifs ni corrosifs. Asséchez à fond à l'aide d'un chiffon doux.

IMPORTANT : N'utilisez pas de cires nettoyantes, de détergents concentrés, ni de produits nettoyants qui contiennent du pétrole sur les pièces en plastique du réfrigérateur comme les contre-portes ou les joints d'étanchéité.

Entretien et nettoyage de l'intérieur

REMARQUE : Laissez le congélateur se réchauffer pour éviter que le chiffon de nettoyage ne colle aux parois.

Pour éliminer les odeurs, vous pouvez laver l'intérieur du réfrigérateur à l'aide d'un mélange de bicarbonate de soude et d'eau chaude. Mélangez 2 cuillerées à table de bicarbonate de soude dans 1 pinte d'eau (26 g de bicarbonate de soude dans 1 L d'eau). Assurez-vous de dissoudre totalement le bicarbonate de soude pour éviter son action abrasive qui peut égratigner le réfrigérateur.

IMPORTANT : N'utilisez pas un pistolet arrosoir pour nettoyer l'intérieur.

RENSEIGNEMENTS GÉNÉRAUX

Remisage

Lors de vacances de moyenne durée, vous voudrez sans doute maintenir votre réfrigérateur en fonction. Placez les articles congelables dans le congélateur pour prolonger leur durée.

Si vous prévoyez remettre le réfrigérateur, retirez-en tous les aliments, débranchez le cordon d'alimentation, nettoyez l'intérieur à fond, et bloquez les portes en position ouverte pour prévenir les moisissures. Faites en sorte que le réfrigérateur ne présente pas un risque de piégeage des enfants.

Déplacement

Videz le réfrigérateur si vous devez le déplacer sur une bonne distance (généralement inutile s'il s'agit simplement de le tirer pour nettoyer l'arrière). Laissez le réfrigérateur atteindre la température ambiante, puis asséchez l'intérieur avant de fermer les portes en vue de le transporter. Vissez complètement les pattes de nivellement contre la base pour éviter de les endommager.

Pannes de courant

La plupart des pannes de courant qui ne durent qu'une heure ou deux n'affecteront pas les températures de votre réfrigérateur. Vous devriez cependant réduire la fréquence d'ouverture des portes au minimum durant ces événements.

De l'eau peut s'égoutter du bac à glace durant une panne d'électricité. Pour éviter ceci, retirez le bac à glace, jetez toute la glace, séchez avec une serviette et remplacez.

AVANT DE FAIRE UN APPEL DE SERVICE

Avant de faire un appel de service, consultez cette liste. Vous pourriez ainsi économiser temps et argent. La liste énumère des situations fréquentes qui ne sont pas attribuables à des vices de matière ou de fabrication.

Problème	Causes probables	Solutions
Le compresseur du réfrigérateur ne fonctionne pas.	<ul style="list-style-type: none"> • La commande du réfrigérateur est à OFF (Arrêt). • Le réfrigérateur est dans un cycle de dégivrage. • La fiche n'est pas branchée dans la prise murale. • Panne de courant. Vérifiez l'éclairage du domicile. 	<ul style="list-style-type: none"> • Réglez la commande du réfrigérateur. • Ceci est normal pour un réfrigérateur doté d'une fonction de dégivrage entièrement automatique. • Assurez-vous que la fiche est insérée à fond dans la prise. • Communiquez avec la compagnie d'électricité.
Le compresseur du réfrigérateur fonctionne trop fréquemment ou trop longtemps.	<ul style="list-style-type: none"> • Ce réfrigérateur est plus gros que celui que vous possédiez avant. • La température de la pièce ou extérieure est élevée. • Le réfrigérateur a récemment été débranché pendant un certain temps. • Une grande quantité d'aliments chauds a récemment été rangée. • Les portes ont été ouvertes trop fréquemment ou trop longtemps. • La porte du compartiment réfrigérateur ou congélateur est entrouverte. • Le réfrigérateur est réglé à une température trop froide. • Le joint d'étanchéité du réfrigérateur ou congélateur est sale, usé, craquelé, ou mal posé. 	<ul style="list-style-type: none"> • C'est normal. Les appareils plus volumineux, plus efficaces, fonctionnent plus longtemps. • Il est normal que le réfrigérateur fonctionne plus longtemps dans ces conditions. • Le réfrigérateur prend quelques heures pour atteindre les températures de refroidissement. • Les aliments chauds font que le réfrigérateur prend plus de temps pour atteindre la température choisie. • L'air chaud qui pénètre dans le réfrigérateur prolonge son fonctionnement. Ouvrez les portes moins souvent. • Assurez-vous que le réfrigérateur est de niveau. Ne laissez pas des aliments ou contenants bloquer les portes. • Réglez le réfrigérateur à une température plus basse jusqu'à obtenir satisfaction. • Nettoyez ou changez le joint d'étanchéité. Un joint qui fuit oblige le réfrigérateur à fonctionner plus longtemps pour maintenir la température voulue.
Le compresseur du réfrigérateur effectue des cycles d'arrêt et de redémarrage.	<ul style="list-style-type: none"> • Le thermostat garde constante la température du réfrigérateur. 	<ul style="list-style-type: none"> • Ceci est normal. Le réfrigérateur effectue des cycles d'arrêt et de redémarrage pour garder la température constante.
La température du congélateur est trop froide, mais celle du réfrigérateur est satisfaisante.	<ul style="list-style-type: none"> • La commande du congélateur est réglée à une température trop froide. 	<ul style="list-style-type: none"> • Réglez la commande du congélateur à une température plus chaude jusqu'à obtenir satisfaction.
La température du réfrigérateur est trop froide, mais celle du congélateur est satisfaisante.	<ul style="list-style-type: none"> • La commande du réfrigérateur est réglée à une température trop froide. 	<ul style="list-style-type: none"> • Réglez la commande du réfrigérateur à une température plus chaude.

AVANT DE FAIRE UN APPEL DE SERVICE (SUITE)

Problème	Causes probables	Solutions
La nourriture du réfrigérateur placée dans les tiroirs gèle.	<ul style="list-style-type: none"> • La commande du réfrigérateur est réglée à une température trop froide. 	<ul style="list-style-type: none"> • Réglez le réfrigérateur à une température plus basse.
La température du réfrigérateur ou du congélateur est trop chaude.	<ul style="list-style-type: none"> • La commande du réfrigérateur ou du congélateur est réglée à une température trop chaude. • Les portes sont ouvertes trop fréquemment ou trop longtemps. • La porte est entrouverte. • Une grande quantité d'aliments chauds a récemment été rangée. • Le réfrigérateur a récemment été débranché pendant un certain temps. 	<ul style="list-style-type: none"> • Réglez la commande du congélateur ou du réfrigérateur à une température plus froide jusqu'à obtenir satisfaction. • De l'air chaud pénètre dans le réfrigérateur ou le congélateur dès qu'une porte s'ouvre. Ouvrez les portes moins souvent. • Fermez la porte complètement. • Laissez au réfrigérateur ou congélateur le temps de refroidir les aliments à la température choisie. • Le réfrigérateur prend quelques heures pour atteindre les températures choisies.
La température du réfrigérateur est trop chaude, mais celle du congélateur est satisfaisante.	<ul style="list-style-type: none"> • La commande du réfrigérateur est réglée à une température trop chaude. 	<ul style="list-style-type: none"> • Réglez la commande du réfrigérateur à une température plus froide.
Le compresseur fait plus de bruit au démarrage.	<ul style="list-style-type: none"> • Le réfrigérateur fonctionne à des pressions plus élevées lors du démarrage. 	<ul style="list-style-type: none"> • Ceci est normal.
Des vibrations ou des cliquetis se font entendre.	<ul style="list-style-type: none"> • Le plancher n'est pas égal ou supporte mal la charge. Le réfrigérateur se balance contre le plancher quand on le pousse. • Les articles placés sur le dessus du réfrigérateur vibrent. • Les assiettes placées sur les clayettes du réfrigérateur vibrent. • Le réfrigérateur touche au mur ou aux armoires. 	<ul style="list-style-type: none"> • Assurez-vous que le plancher est de niveau et suffisamment solide pour supporter le réfrigérateur. • Retirez les articles. • Il est normal que les assiettes vibrent un peu. Déplacez-les légèrement. Assurez-vous que le réfrigérateur est de niveau et qu'il repose solidement sur le plancher. • Déplacez le réfrigérateur de façon à ce qu'il ne touche plus au mur.
De la condensation se forme sur les parois internes du réfrigérateur.	<ul style="list-style-type: none"> • Le temps est chaud et humide, ce qui accélère l'accumulation de givre et la condensation interne. • La porte est entrouverte. • La porte s'ouvre trop souvent ou trop longtemps. 	<ul style="list-style-type: none"> • Ceci est normal. • Fermez la porte. • Ouvrez la porte moins souvent.
De la condensation se forme sur les parois externes du réfrigérateur ou entre les portes.	<ul style="list-style-type: none"> • Le temps est humide. • La porte est entrouverte. 	<ul style="list-style-type: none"> • Ceci est normal lorsque le temps est humide. La condensation devrait disparaître à mesure que l'humidité se dissipe. • Fermez la porte complètement.

AVANT DE FAIRE UN APPEL DE SERVICE (SUITE)

Problème	Causes probables	Solutions
De la condensation se forme sur le distributeur.	<ul style="list-style-type: none"> De la condensation peut se produire lorsque la température ou l'humidité est élevée. 	<ul style="list-style-type: none"> Essuyez la condensation.
Des odeurs dans le réfrigérateur.	<ul style="list-style-type: none"> L'intérieur a besoin d'être nettoyé. Des aliments dégagant de fortes odeurs se trouvent dans le réfrigérateur. Certains contenants ou emballages dégagent des odeurs. 	<ul style="list-style-type: none"> Nettoyez l'intérieur avec une éponge, de l'eau chaude, et du bicarbonate de soude. Assurez-vous de dissoudre totalement le bicarbonate de soude pour éviter son action abrasive. Enveloppez complètement les aliments. Utilisez un autre contenant ou marque de pellicule d'emballage.
La ou les portes ne ferment pas.	<ul style="list-style-type: none"> Un emballage d'aliment empêche la fermeture de la porte. Une porte s'est entrouverte lorsqu'une autre a été fermée trop brusquement. Le réfrigérateur n'est pas de niveau. Il se balance contre le plancher quand on le pousse. Le plancher n'est pas égal ou supporte mal la charge. Le réfrigérateur se balance contre le plancher quand on le pousse. Le réfrigérateur touche au mur ou aux armoires. 	<ul style="list-style-type: none"> Déplacez les emballages qui nuisent à la fermeture de la porte. Fermez les portes délicatement. Régalez les vis de nivellement. Assurez-vous que le plancher est égal et peut supporter le réfrigérateur. Contactez un menuisier pour corriger le fléchissement ou l'inclinaison du plancher. Déplacez le réfrigérateur.
Les tiroirs sont difficiles à déplacer.	<ul style="list-style-type: none"> Des aliments touchent à la clayette au-dessus du tiroir. Les rails du tiroir sont encrassés. 	<ul style="list-style-type: none"> Gardez moins d'aliments dans le tiroir. Nettoyez le tiroir et les rails.
Un son de glace qui tombe.	<ul style="list-style-type: none"> Un lot de glace est tombé dans le bac à glace. 	<ul style="list-style-type: none"> Ce son se fait entendre lorsque de la glace fabriquée automatiquement tombe dans le bac à glace. L'intensité du son variera selon l'emplacement du réfrigérateur.
Un son d'eau qui s'écoule.	<ul style="list-style-type: none"> La machine à glaçons est alimentée en eau. 	<ul style="list-style-type: none"> Ce son normal se fait entendre lorsque la machine à glaçons est alimentée en eau suite au dépôt automatique de glace dans le bac. Si le bruit dure plus de 10 secondes, contrôler les fuites.

AVANT DE FAIRE UN APPEL DE SERVICE (SUITE)

Problème	Causes probables	Solutions
<p>La machine à glaçons ne produit pas ou pas assez de glaçons</p>	<ul style="list-style-type: none"> • Installation récente. • Le réfrigérateur n'est pas raccordé à l'alimentation d'eau et le robinet de sectionnement de l'alimentation n'est pas ouvert. • Le système de filtrage de l'eau par osmose inverse est raccordé à la conduite d'alimentation en eau froide. • Étranglement dans la conduite d'alimentation en eau. • Une grande quantité de glaçons a été retirée récemment. • La machine à glaçons n'est pas en marche. • Il y a quelque chose sur le capteur du détecteur de glaçons. • Le réglage de la température du compartiment congélateur est trop élevé. • Les portes sont restées ouvertes. • Aucune porte n'est fermée correctement. • La porte du compartiment à glaçons n'est fermée correctement. • Ice Plus n'est pas sélectionné. 	<ul style="list-style-type: none"> • Attendez 24 heures après l'installation de l'appareil avant de commencer à produire des glaçons. Attendez 72 heures avant d'obtenir le niveau maximum de production de glaçons. • Raccordez l'appareil à une canalisation d'alimentation en eau et ouvrez complètement le robinet d'alimentation. • Ceci peut réduire la pression d'eau et provoquer une légère entrée d'eau dans la machine à glaçons. • Un étranglement de la conduite d'alimentation peut réduire le débit d'eau. Redressez la conduite d'alimentation. • Attendez 24 heures afin que la machine à glaçons puisse produire plus de glaçons. • Un commutateur marche/arrêt se trouve sur la machine à glaçons. Il doit avoir deux positions "I" et "O". La position "I" correspond à Marche. Si le commutateur est en position "O", mettez en position Marche "I". • Un corps étranger ou du givre sur le capteur de détection arrête la fabrication des glaçons. Pour maintenir la fabrication des glaçons, nettoyez la surface du capteur de détection des glaçons avec un tissu propre et doux. • Le réglage recommandé de la température du compartiment congélateur pour assurer une production normale de glaçons est de -18°C. Si la température du congélateur est réglée à une valeur plus élevée, la production de glaçons sera plus lente. Lorsque les portes de l'appareil sont souvent ouvertes, de l'air froid s'échappe à chaque fois et cela empêche l'appareil de maintenir la température réglée. • Le fait de régler la température à une valeur plus basse, ou d'ouvrir les portes moins souvent peut aider à atteindre la température souhaitée. • Le fait de ne pas fermer correctement une porte augmente la température du congélateur et ralentit la production de glaçons. • Le fait de ne pas fermer correctement la porte du compartiment augmente la température intérieure et ralentit la production de glaçons. • Cette fonction permet d'abaisser rapidement la température du compartiment et d'accélérer la production de glaçons.
<p>Autres</p>	<p>Veillez lire attentivement les sections Machine à glaçons automatique et Fonctionnement du distributeur de ce guide.</p>	

CARACTÉRISTIQUES TECHNIQUES

DIMENSIONS ET CARACTÉRISTIQUES PRINCIPALES

Les caractéristiques visuelles et techniques listées dans ce tableau peuvent varier en fonction de l'évolution qualitative du produit.

Réfrigérateur à congélateur au bas de modèles LFC25776	
Description	Réfrigérateur à portes françaises
Alimentation électrique	115 V c.a. à 60 Hz
Pression d'eau min. / max.	20 à 121 PSI (1,4 à 8,5 kgf/cm ²)
Dimensions	35 3/4 po (W) X 34 1/4 po (D) X 69 3/4 po (H), 46 1/2 po (P avec porte ouverte) 908 mm (W) X 870 mm (D) X 1772 mm (H), 1181 mm (P avec porte ouverte)
Poids net	276 lb. (125 kg)
Capacité de rangement du réfrigérateur	17,7 pi ³
Capacité de rangement du congélateur	7,3 pi ³

Réfrigérateur à congélateur au bas de modèle LFC21776	
Description	Réfrigérateur à portes françaises
Alimentation électrique	115 V c.a. à 60 Hz
Pression d'eau min. / max.	20 à 121 PSI (1,4 à 8,5 kgf/cm ²)
Dimensions	35 3/4 po (W) X 30 1/4 po (D) X 69 3/4 po (H), 42 1/4 po (P avec porte ouverte) 908 mm (W) X 768 mm (D) X 1772 mm (H), 1073 mm (P avec porte ouverte)
Poids net	254 lb. (115 kg)
Capacité de rangement du réfrigérateur	14,7 pi ³
Capacité de rangement du congélateur	6,0 pi ³

LG ELECTRONICS CANADA, INC.

GARANTIE LIMITÉE DES RÉFRIGÉRATEURS LG - Canada

GARANTIE : Si, au cours de la période de garantie indiquée ci-dessous, votre réfrigérateur LG ("Produit") tombe en panne suite à un défaut de fabrication ou de main d'œuvre dans le cadre d'une utilisation normale, LG Canada s'engage à réparer ou à remplacer le Produit à sa discrétion, sur présentation d'une preuve d'achat d'origine. Cette garantie ne s'applique qu'à l'acheteur initial du Produit et uniquement si celui-ci a été acheté au Canada auprès de LG Canada ou d'un distributeur agréé au Canada. La garantie ne s'applique que si le Produit est situé et utilisé au Canada.

PÉRIODE DE GARANTIE : (Remarque : dans le cas où la date d'achat initial ne peut pas être vérifiée, la garantie commence soixante (60) jours après la date de fabrication).

Réfrigérateur/Congélateur	Système scellé (condensateur, sèche-linge, tuyau de raccordement, réfrigérant et évaporateur)		Compresseur linéaire
Un (1) an à compter de la date d'achat initial	Un (1) an à compter de la date d'achat initial	Sept (7) ans à compter de la date d'achat initial	Dix (10) ans à compter de la date d'achat initial
Pièces et main-d'œuvre (pièces internes/fonctionnelles uniquement)	Pièces et main-d'œuvre	Pièces uniquement (la main-d'œuvre sera facturée au client)	Pièces uniquement (la main-d'œuvre sera facturée au client)

Le bruit lié au fonctionnement normal, ne respecter pas les instructions dans le Guide d'utilisation et d'entretien et la panne fonctionnelle de cet appareil pour une utilisation dans un environnement inadapté, ne être pas couvertes par cette garantie.

- ▶ Les pièces et Produits de rechange sont garantis pour la durée restante de la garantie initiale ou quatre-vingt-dix (90) jours, la durée la plus longue prévalant.
- ▶ Les pièces et Produits de rechange peuvent être neufs ou réusinés.
- ▶ Le centre de réparation agréé LG garantit ses travaux de réparation trente (30) jours.

LA RESPONSABILITÉ DE LG CANADA SE LIMITE EXCLUSIVEMENT À LA GARANTIE EXPOSÉE CI-DESSUS. À L'EXCEPTION DE CE QUI EST EXPRESSÉMENT STIPULÉ CI-DESSUS, LG CANADA DÉCLINE TOUTE AUTRE GARANTIE ET CONDITION CONCERNANT LE PRODUIT, EXPLICITE OU IMPLICITE, Y COMPRIS, MAIS SANS S'Y LIMITER, TOUTE GARANTIE OU CONDITION IMPLICITE DE VALEUR COMMERCIALE OU DE COMPATIBILITÉ POUR UN BUT OU USAGE PARTICULIER. EN OUTRE, AUCUNE DÉCLARATION NE PEUT ENGAGER LG CANADA. LG CANADA N'AUTORISE AUCUNE PERSONNE À CRÉER OU ENDOSSER À SA PLACE AUCUNE AUTRE OBLIGATION DE GARANTIE OU DE RESPONSABILITÉ LIÉE AU PRODUIT. SAUF GARANTIE OU CONDITION RENDUE IMPLICITE PAR LA LOI, LA PÉRIODE DE GARANTIE EST LIMITÉE À LA PÉRIODE INDIQUÉE CI-DESSUS. LG CANADA, LE FABRICANT OU LE DISTRIBUTEUR NE SAURONT ÊTRE TENUS RESPONSABLES EN CAS DE DOMMAGE ACCESSOIRE, IMMATÉRIEL, PARTICULIER, DIRECT OU INDIRECT, DE PERTE INCORPORELLE, DE PERTE DE PROFIT, DE DOMMAGE PUNITIF OU EXEMPLAIRE, OU TOUT AUTRE DOMMAGE, RÉSULTANT DIRECTEMENT OU INDIRECTEMENT D'UNE VIOLATION CONTRACTUELLE, FONDAMENTALE OU AUTRE, OU DE TOUT AUTRE ACTE OU OMISSION, DÉLICTEUX OU AUTRE. Cette garantie vous donne des droits juridiques spécifiques. Vous pouvez avoir d'autres droits, selon la législation provinciale qui s'applique pour la province concernée. Tout terme de cette garantie qui nierait ou modifierait une condition ou une garantie implicite selon la législation provinciale est séparable lorsqu'il contredit la législation provinciale sans affecter le reste des termes de cette garantie.

CETTE GARANTIE LIMITÉE NE COUVRE PAS :

1. Les déplacements des techniciens pour livrer, reprendre, ou installer le Produit, expliquer au client l'utilisation du Produit ; réparer ou remplacer les fusibles, corriger les branchements d'électricité ou de plomberie, ou corriger les réparations et installations non autorisées.
2. Le non-fonctionnement du Produit en cas de pannes ou coupures d'électricité, ou encore d'installation électrique inadaptée.
3. Les dégâts causés par une fuite, une rupture ou un gel des tuyaux d'arrivée d'eau, un encombrement du circuit d'évacuation, une alimentation en eau interrompue ou inadéquate, ou une arrivée d'air inadaptée.
4. Les dégâts résultant de l'utilisation du Produit dans une atmosphère corrosive ou contraire aux instructions détaillées dans le manuel d'utilisation du Produit
5. Les dégâts causés au Produit par des accidents, des insectes nuisibles, des orages, des tempêtes, des incendies, des inondations ou des catastrophes naturelles.
6. Les dégâts résultant d'une utilisation inappropriée, d'un usage abusif, ou d'une installation, réparation ou maintenance inadaptée du Produit. La réparation inadaptée inclut l'utilisation de pièces non approuvées ou spécifiées par LG Canada.
7. Les dégâts ou les pannes provoquées par une modification ou altération non autorisée, par une utilisation autre que pour l'objet prévu, ou par une fuite d'eau due à une mauvaise installation de l'appareil.
8. Les dégâts ou les pannes provoqués par un courant électrique, une tension ou des codes de plomberie incorrects, une utilisation commerciale ou industrielle, ou l'utilisation d'accessoires, de composants ou de Produits de nettoyage consommables qui ne sont pas approuvés par LG Canada.
9. Les dégâts provoqués par le transport et la manipulation, notamment les éraflures, bosses, entailles et/ou tout autre dommage causé à la finition du Produit, sauf si ces dommages sont dus à un défaut de fabrication ou de main-d'œuvre et sont signalés dans un délai d'une (1) semaine suivant la livraison.
10. Les dégâts ou pièces manquantes en cas de Produit d'exposition, déjà ouvert, faisant l'objet d'une remise ou réusiné.
11. Les Produits dont le numéro de série d'origine a été enlevé, modifié ou est illisible. Les numéros de modèle et de série, ainsi que la facture d'origine du Produit sont nécessaires pour valider la garantie.
12. L'augmentation du coût des services publics et des frais supplémentaires liés à ces derniers.
13. Le remplacement des ampoules, filtres ou de tout autre élément consommable.
14. Les réparations lorsque votre Produit est utilisé dans des conditions autres qu'une utilisation domestique normale et habituelle (y compris, mais sans se limiter à, une utilisation dans des commerces, des bureaux et des structures d'accueil) ou contraires aux instructions décrites dans le manuel d'utilisation du Produit.
15. Les coûts associés à l'enlèvement du Produit de votre domicile à des fins de réparation.
16. L'enlèvement et la réinstallation du Produit s'il est installé dans un endroit inaccessible ou s'il n'est pas installé conformément aux instructions d'installation publiées, notamment dans les manuels d'installation et d'utilisation.
17. Les clayettes, bacs, tiroirs, poignées, et accessoires du Produit. Sont également exclues les pièces autres que celles fournies d'origine avec le Produit.

Tous les coûts associés aux circonstances ci-dessus non couvertes par la garantie sont à la charge du consommateur.

Pour obtenir plus de détails sur la garantie ou une assistance : Appelez le 1-888-542-2623 (24 h/24, 7 j/7) et sélectionnez l'option appropriée dans le menu, ou visitez notre site web <http://www.lg.ca>

Inscrivez vos informations de garantie ci-dessous : _____
 Numéro d'enregistrement du Produit : _____
 Modèle : _____ Numéro de série : _____
 Date d'achat : _____

NOTES







ESPAÑOL

MANUAL DEL PROPIETARIO

REFRIGERADOR DE

PUERTA FRANCÉS

Lea detenidamente estas instrucciones antes utilizar el frigorífico y guárdelas como referencia para el futuro.

LFC25776**

LFC21776**

INTRODUCCIÓN

INFORMACIÓN IMPORTANTE DE SEGURIDAD

Precauciones básicas de seguridad	3
Eliminación de CFC	4
Cómo conectar la electricidad	5

PIEZAS Y CARACTERÍSTICAS

Características especiales	6
Piezas y componentes importantes	7

INSTALACIÓN

Elija la ubicación adecuada	8
Espacios libres	8
Pisos	9
Cómo quitar la manija	9
Retirar la puerta del frigorífico y el cajón del congelador	10
Cambio de la bombilla.....	15
Cómo conectar el suministro de agua	16
Cómo conectar las líneas de agua	17
Cómo nivelar las puertas del refrigerador	18
Inicio	19

CÓMO UTILIZAR

Configuración de controles	20
Máquina automática para hacer hielo	21
Almacenamiento de alimentos	22
Ubicación de alimentos	23
Ajuste de la altura de los estantes	24
Cómo quitar y reinstalar componentes	25

CUIDADO Y LIMPIEZA

Cómo limpiar el refrigerador	29
Información general	29

DETECCIÓN DE PROBLEMAS

Antes de llamar al servicio técnico	30
---	----

ESPECIFICACIONES

Dimensiones y especificaciones importantes	34
--	----

GARANTÍA

Información sobre registro de producto	35
--	----

¡GRACIAS!

Felicitaciones por su compra y bienvenido a la familia de LG.


Su nuevo refrigerador de doble puerta LG, combina la más avanzada tecnología de frío con un funcionamiento sencillo y un alto rendimiento.

Siga las instrucciones de funcionamiento y cuidados de este manual y su refrigerador le proporcionará un servicio eficaz durante muchos años.

INFORMACIÓN IMPORTANTE DE SEGURIDAD

PRECAUCIONES BÁSICAS DE SEGURIDAD

Esta guía contiene varios mensajes importantes de seguridad. Siempre lea y obedezca todos los mensajes de seguridad.

 Este es el símbolo de alerta de seguridad. Lo alerta sobre mensajes de seguridad que informan sobre peligros que pueden matarlo o lastimarlo a usted o a otros o provocar daños al producto. Todos los mensajes de seguridad serán precedidos por el símbolo de alerta de seguridad y las palabras PELIGRO, ADVERTENCIA, o PRECAUCIÓN. Estas palabras significan:

PELIGRO

Si no sigue las instrucciones descritas a continuación **podría** experimentar lesiones serias e incluso fatales.

ADVERTENCIA

El usuario **puede** morir o sufrir graves lesiones si no sigue las instrucciones.

PRECAUCIÓN

Indica una situación de riesgo inminente que, de no evitarse, **podría** ocasionar lesiones menores o moderadas o daños al producto.

Todos los mensajes identificarán el peligro, le señalarán cómo reducir las posibilidades de lesiones, y le explicarán qué puede suceder si no se siguen las instrucciones.

ADVERTENCIA

Para reducir el riesgo de incendio, descarga eléctrica, o lesiones a personas cuando utilice el producto, deben cumplirse precauciones básicas de seguridad, incluyendo las siguientes.

Lea todas las instrucciones antes de utilizar este artefacto.

- NUNCA desenchufe el refrigerador tirando del cable de energía. Siempre tome el enchufe con firmeza y quítelo del tomacorriente.
- Repare o reemplace de manera inmediata todos los cables eléctricos que se hayan desgastado o dañado. No utilice cables que den muestras de grietas o desgaste en su longitud o en el enchufe o extremo del conector.
- Cuando aleje el refrigerador de la pared, tenga cuidado de no aplastar o dañar el cable de energía.
- NO almacene o use gasolina u otros vapores o líquidos inflamables cerca de este o cualquier otro artefacto.
- NO permita que los niños se cuelguen, suban, o paren en las puertas o estantes del refrigerador. Podrían dañar el refrigerador y sufrir lesiones graves.
- Mantenga los dedos alejados de los puntos de pellizco; los espacios entre las puertas y armario son necesariamente pequeños. Tenga cuidado al cerrar puertas cuando hay niños en la cercanía.
- Desenchufe su refrigerador antes de limpiar o hacer reparaciones.

NOTA: Las reparaciones debe realizarlas un técnico calificado.

- Antes de reemplazar un bombilla de luz quemada, desenchufe el refrigerador o desconecte la electricidad del disyuntor o caja de fusibles para evitar contacto con un fiamento cargado (una bombilla quemada puede romperse al cambiarla).
NOTA: Algunos modelos tienen iluminación interior mediante LED y la reparación debe llevarse a cabo por personal técnico cualificado.
- **NOTA:** Confiar en cualquiera de los dos controles en la posición OFF (apagado) no elimina la corriente de electricidad dirigida al circuito de la luz.
- Una vez haya terminado, vuelva a enchufar la refrigeradora al suministro eléctrico y restablezca el control (dependiendo del modelo: termostato, control de la refrigeradora o la heladera) al ajuste deseado.
- Este refrigerador debe ser instalado correctamente de acuerdo con las **Instrucciones del instalador**, adjuntas en la parte frontal del refrigerador.
- Después de instalar su refrigerador, no toque las superficies frías del congelador con las manos mojadas o húmedas. La piel puede adherirse a las superficies muy frías.
- En refrigeradores con máquinas automáticas para hacer hielo, evite el contacto con las piezas en movimiento del mecanismo eyector o con el elemento calentador que libera los cubitos. NO coloque sus dedos o manos en el mecanismo de la máquina para hacer hielo mientras el refrigerador se encuentre enchufado.
- **No modifique o extienda la longitud del cable de energía.** Esto provocará una descarga eléctrica o un incendio.

INFORMACIÓN IMPORTANTE DE SEGURIDAD

PRECAUCIONES BÁSICAS DE SEGURIDAD (CONT.)

- No utilice ningún secador para secar el interior de la unidad, ni tampoco encienda velas para que absorban posibles malos olores.
- Realice la instalación en lugares alejados del fuego o en zonas donde pueda haber fugas de gas.
- Esta unidad no está pensada para el uso por personas (incluidos niños) con minusvalía, sensorial o mental, o con falta de experiencia y conocimientos, a menos que una persona responsable de su seguridad se encargue de la supervisión o les enseñe el funcionamiento de la unidad.

Los niños deben estar supervisados para asegurar que no juegan con la unidad.

- NO vuelva a congelar alimentos que se hayan descongelado por completo. El Ministerio de Agricultura de los EE.UU., Boletín N° 69 sobre Hogares y Jardines señala:
... Pueden volverse a congelar los alimentos que hayan sido descongelados si todavía contienen cristales de hielo o si todavía están fríos, por debajo de 40°F (4°C).
... Las carnes rojas picadas, carnes de ave, o pescado que tengan olores o colores extraños no deben volver a congelarse y tampoco deben consumirse. Los helados descongelados deben eliminarse. Si el olor o color de cualquier alimento es pobre o dudoso, elimínelo.

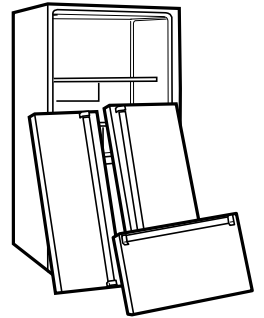
Volver a congelar, incluso habiendo descongelado sólo parcialmente, reduce la calidad de los alimentos, particularmente en el caso de frutas, verduras y alimentos preparados. La calidad comestible de las carnes rojas se ve menos afectada que la de otros alimentos. Utilice alimentos recongelados lo antes posible para preservar la mayor calidad posible.

Riesgo de encierro para niños

Los refrigeradores desechados o abandonados representan un gran peligro, aunque sólo permanezcan en la basura durante unos días. Si va a desechar su viejo refrigerador, siga las siguientes instrucciones para prevenir accidentes.

Antes de eliminar su viejo refrigerador o congelador:

- Quite las puertas.
- No deje los estantes colocados, los niños podrían utilizarlos para subirse.



ELIMINACIÓN DE CFC

Su viejo refrigerador puede tener un sistema de enfriamiento con CFC (clorofluorocarbonos). Se cree que los CFC son dañinos para el ozono estratosférico.

Si va a tirar su viejo refrigerador, asegúrese que quitar el refrigerante CFC para una eliminación adecuada por parte de un técnico calificado. Si libera este refrigerante de CFC de manera intencional, usted puede ser objeto de multas y de prisión según lo indicado por la legislación ambiental.

INFORMACIÓN IMPORTANTE DE SEGURIDAD

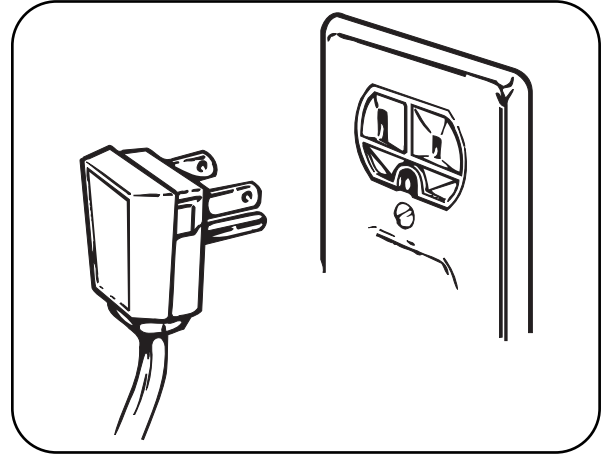
CÓMO CONECTAR LA ELECTRICIDAD

IMPORTANTE: Lea cuidadosamente.

⚠️ ADVERTENCIA

Peligro de descarga eléctrica

Para seguridad personal, este artefacto debe conectarse a tierra de manera adecuada. Haga que un técnico calificado verifique el tomacorriente de pared y el circuito para verificar que tengan una conexión a tierra adecuada.



MÉTODO DE CONEXIÓN A TIERRA RECOMENDADO

El refrigerador siempre debe estar conectado a un tomacorriente individual con conexión a tierra clasificado para 120 voltios, 60 Hz, sólo CA, y con fusibles de 20 amperes. Esto otorga un mejor desempeño y también evita la sobrecarga de los circuitos de cableado de la casa, lo que podría generar un peligro de incendio por sobrecarga. Se recomienda que este artefacto cuente con un circuito individual.

Utilice un tomacorriente que no pueda apagarse con un interruptor o cadena. No utilice un cable de extensión. Para el uso de este artefacto, es su responsabilidad y obligación cambiar un tomacorriente estándar de dos patas por uno de tres patas con adecuada conexión a tierra.

Bajo ninguna circunstancia corte o quite la tercera pata (a tierra) del cable de energía.

No utilice un enchufe adaptador.

NOTA: Algunos modelos tienen iluminación interior mediante LED y la reparación debe llevarse a cabo por personal técnico cualificado.

Cuando haya terminado, vuelva a conectar el refrigerador a la fuente de energía y cambie el control (termostato, control de refrigerador, o control de congelador, dependiendo del modelo) a la configuración deseada.

USO DE LOS CABLES DE EXTENSIÓN

Debido a peligros potenciales de seguridad en ciertas condiciones, recomendamos **enfáticamente no utilizar un cable de extensión**. Sin embargo, si aún así decide utilizar un cable de extensión, es absolutamente necesario que se trate de un cable de extensión de tres patas listado UL (EE.UU.) con enchufe y tomacorriente a tierra, y que la clasificación eléctrica del cable sea de 20 amperes (mínimo) y 120 voltios. El uso de un cable de extensión incrementará el espacio necesario en la parte trasera del refrigerador.

GUARDE ESTAS INSTRUCCIONES

PIEZAS Y CARACTERÍSTICAS

CARACTERÍSTICAS ESPECIALES

1 PANTALLA DE LED DEL PANEL DE CONTROL

Los simples controles electrónicos son fáciles de usar. La pantalla de LED indica temperaturas del refrigerador y del congelador, muestra el estado del filtro de agua, información sobre el dispensador, y más.

2 ICE PLUS

Si está activada esta función, la sección del refrigerador funcionará a la temperatura más baja posible durante 24 horas para aumentar la producción.

3 ALARMA DE LA PUERTA

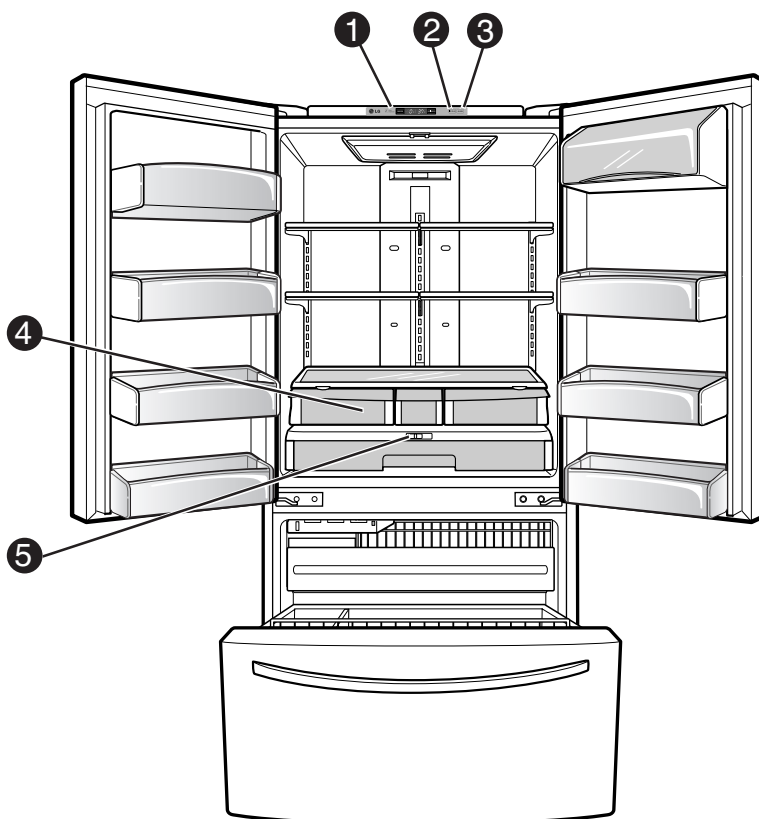
Si la puerta del refrigerador o la heladera permaneciese abierta durante más de 60 segundos, la unidad emitiría avisos de alarma a intervalos de 30 segundos.

4 CAJONES DE VERDURAS Y FRUTAS

Los cajones de LG mantienen los vegetales frescos.

5 GLIDE'N'SERVE (CAJÓN DESLIZANTE)

Proporciona espacio de almacenamiento con un control de temperatura variable que mantiene el compartimento más frío que el refrigerador.



NOTA: Esta guía recoge las instrucciones relativas a varios modelos distintos.

El refrigerador que ha adquirido puede contar con todos, o algunos, de los siguientes elementos. Los emplazamientos de las siguientes funciones pueden o no coincidir con las de su modelo.

PIEZAS Y CARACTERÍSTICAS

PIEZAS Y COMPONENTES IMPORTANTES

Además de las características y componentes especiales señalados en la sección **Características Especiales**, existen otros componentes importantes mencionados en este manual.

1 REPISA DEL CONGELADOR, REGULABLE.

Los estantes del refrigerador son ajustables para mayor flexibilidad en el almacenamiento.

2 CESTAS DE ALMACENAMIENTO DE 3,7L. (1 GALÓN)

Tres cajones intercambiables que pueden disponerse para satisfacer las necesidades de almacenamiento.

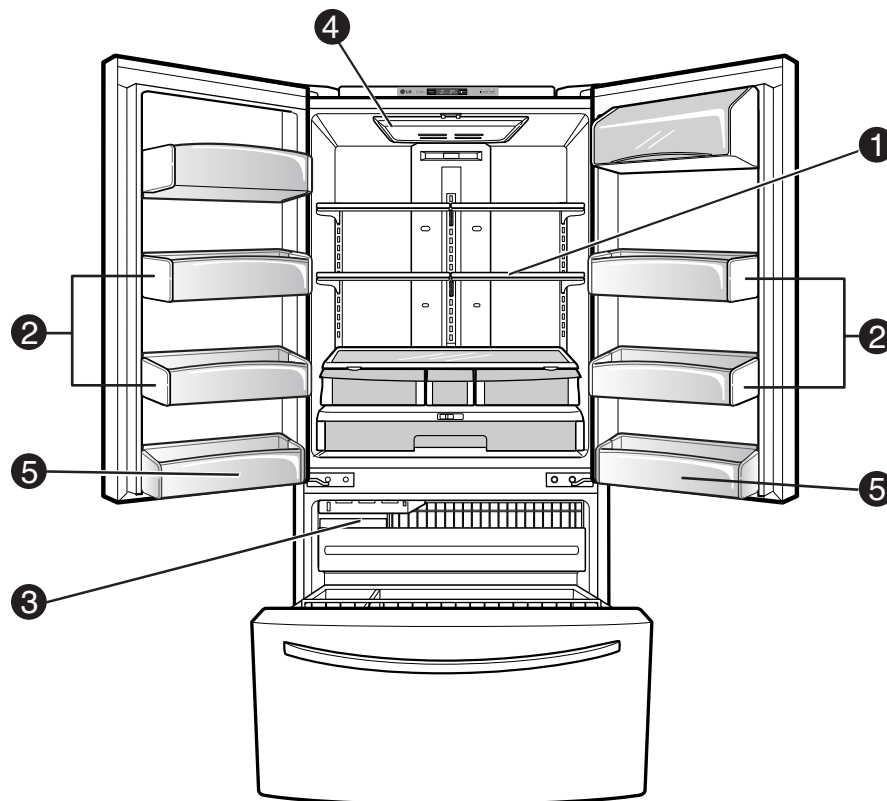
4 RECIPIENTE DE ALMACENAMIENTO DE HIELO DESMONTABLE

El recipiente de almacenamiento de hielo puede quitarse para llenar hieleras, heladeritas, o jarras.

5 LED LÁMPARAS INTERIORES

El interior del frigorífico está iluminado por un módulo LED.

6 CESTAS FIJAS DE PUERTA



INSTALACIÓN

ELIJA LA UBICACIÓN ADECUADA

⚠️ ADVERTENCIA

Peligro de peso excesivo

Se necesitan dos o más personas para trasladar o desempacar el artefacto.

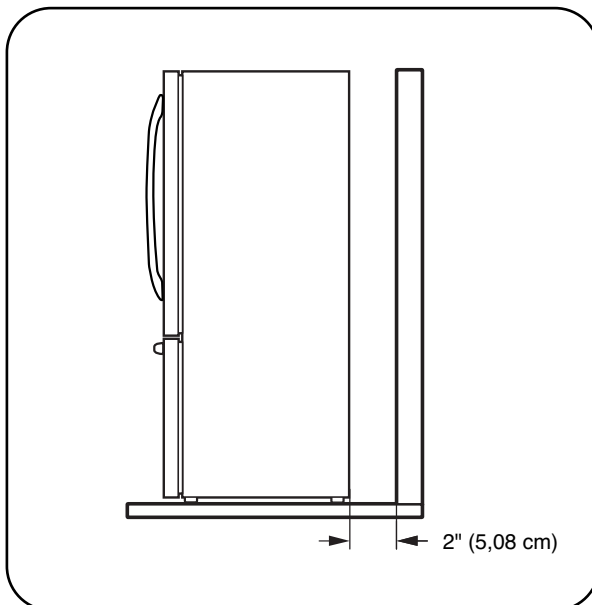
- Almacene e instale el refrigerador donde no vaya a sufrir temperaturas bajo cero o condiciones climáticas externas.
- Instale este artefacto en un área donde la temperatura se encuentre entre los 55°F (13°C) y 110°F (43°C). Si la temperatura alrededor del artefacto es demasiado alta o baja, la capacidad de enfriamiento puede verse afectada negativamente.
- Si este refrigerador se instala donde la temperatura supera los 110°F (43°C), la capacidad de congelado se ve comprometida y el costo de electricidad consumida se elevará.

- A fin de reducir el riesgo de una descarga eléctrica, no instale el refrigerador en un área húmeda o mojada.
- Seleccione una ubicación donde pueda conectar fácilmente el suministro de agua necesario para la máquina automática de hielo y el dispensador.
- Una instalación inestable puede provocar vibraciones y ruidos. Si el suelo no está nivelado, nivélelo haciendo rotar la altura de los tornillos de ajuste.
- Conecte a tierra el refrigerador para cumplir con los códigos y ordenanzas vigentes.

⚠️ PRECAUCIÓN

Evite ubicar la unidad cerca de fuentes de calor, luz directa del sol, o humedad.

ESPACIOS LIBRES



- Una distancia muy pequeña desde los elementos adyacentes puede disminuir la capacidad de enfriamiento y elevar el gasto de electricidad. Deje por lo menos 24 pul. (61 cm) frente al refrigerador para poder abrir las puertas.

NOTA: Para obtener información detallada acerca de las dimensiones y especificaciones de la unidad, consulte la página 34.

PISOS

- Para minimizar ruidos y vibraciones, el refrigerador DEBE estar instalado en un piso de construcción sólida.
- Para evitar vibraciones, la unidad debe estar nivelada. Si fuera necesario, ajuste las patas niveladoras para compensar el desequilibrio del piso. La parte delantera debe estar un poco más elevada que la trasera para facilitar el cierre de la puerta. Los pies de nivelación pueden girarse fácilmente empujando contra la parte superior del refrigerador para quitar el peso de los apoyos. Gire las patas de nivelación en sentido de las agujas del reloj para levantar la unidad o en sentido contrario a las agujas del reloj para bajarla.

- No se recomienda el uso de alfombras y de baldosas frágiles.
- Nunca instale el refrigerador en una plataforma o una estructura de apoyo débiles.

NOTA: Cuando desplace el refrigerador para realizar la limpieza o para efectuar un servicio, asegúrese de proteger el piso. Siempre tire del refrigerador hacia afuera cuando lo mueva. No menee o contonee el refrigerador cuando quiera desplazarlo, porque podría dañar el piso.

NOTA: Es recomendable desmontar las puertas cuando sea necesario desplazar el refrigerador a través de un hueco estrecho.

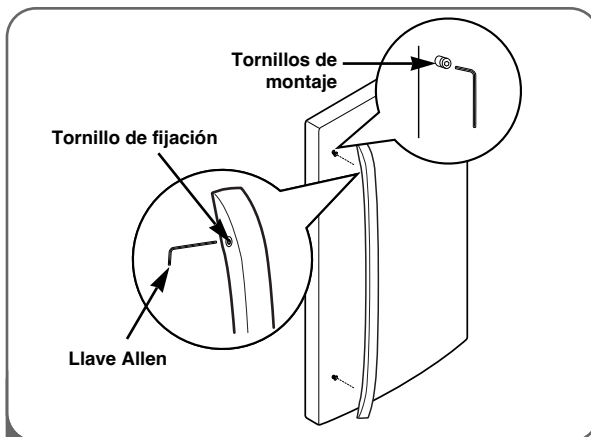
CÓMO QUITAR LA MANIJA

Para trasladar el refrigerador a través de una puerta, puede ser necesario quitar las manijas de la puerta del refrigerador.

NOTA: La apariencia de las manijas puede diferir de las incluidas en la ilustración.

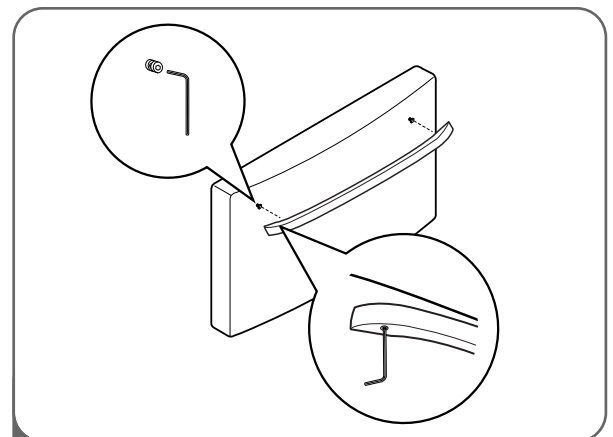
⚠ PRECAUCIÓN

- Tenga mucho cuidado al quitar las manijas para evitar rayar las puertas.
- La manija puede dañarse si la golpea con un martillo mientras la quita o coloca.
- Cuando coloque o quite una manija, usted debe empujar y tirar de ella con bastante fuerza.



- 1 Afloje los tornillos de fijación con una llave Allen de 2,5 mm (3/32") y retire la manija.

NOTA: Para ajustar o retirar los tornillos de montaje de la manija utilice una llave Allen de 1/4".



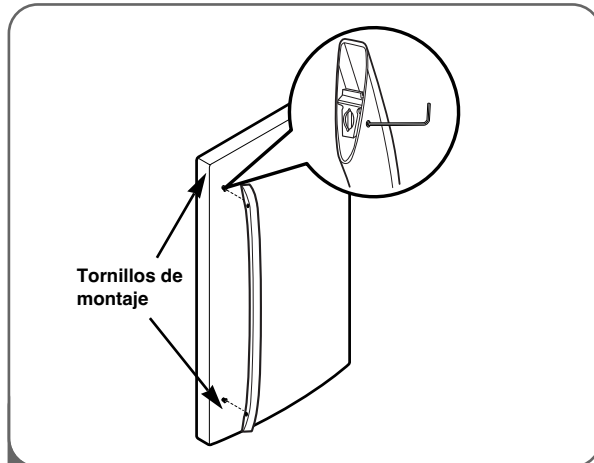
- 2 Afloje los tornillos de fijación ubicados en la parte inferior de la manija con una llave Allen de 3,1 mm (1/8") y retire la manija.

NOTA: Para ajustar o retirar los tornillos de montaje de la manija utilice una llave Allen de 1/4".

INSTALACIÓN

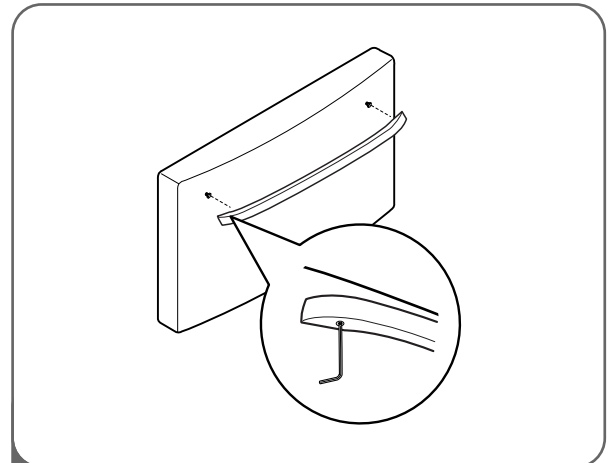
CÓMO QUITAR LA MANIJA (CONT.)

REINSTALACIÓN DE LA MANIJA



- 1 Coloque el tirador en la puerta, alineándolo según su plantilla, para fijar los pasadores de montaje y apriete los tornillos del conjunto con ayuda de una llave Allen de 2,5 mm (3/32").

NOTA: Para ajustar o retirar los tornillos de montaje de la manija utilice una llave Allen de 1/4".



- 2 Coloque el tirador en la puerta, alineándolo según su plantilla, para fijar los pasadores de montaje y apriete los tornillos del conjunto en la parte de abajo del tirador con ayuda de una llave Allen de 3,1 mm (1/8").

NOTA: Para ajustar o retirar los tornillos de montaje de la manija utilice una llave Allen de 1/4".

RETIRAR LA PUERTA DEL FRIGORÍFICO Y EL CAJÓN DEL CONGELADOR

RETIRAR LA PUERTA DEL FRIGORÍFICO

⚠️ ADVERTENCIA

Peligro de descarga eléctrica

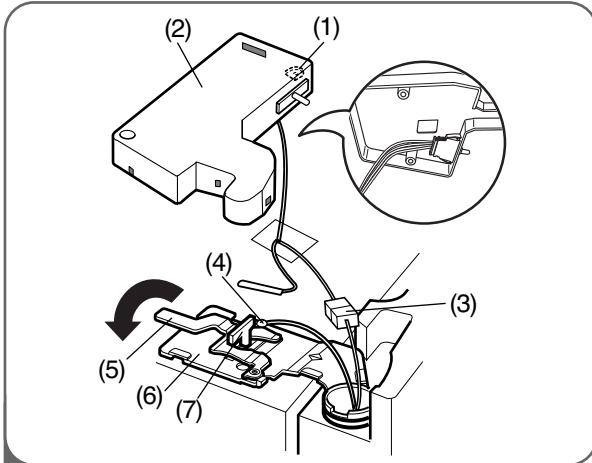
- Desconecte el suministro eléctrico de la refrigeradora antes de la instalación. No hacerlo podría causar lesiones graves o incluso la muerte.
- No introduzca sus manos o pies, ni objetos metálicos, en los conductos de ventilación, rejilla de la base o la parte inferior de la refrigeradora. Podría sufrir daños o recibir una descarga eléctrica.
- Tenga cuidado al trabajar con la bisagra, parrilla de la base y retén. Puede resultar herido.

Antes de comenzar, retire los alimentos y recipientes de las puertas.

Si la puerta de entrada de su hogar es demasiado angosta para que pase el refrigerador, quite la puerta del refrigerador y traslade el mismo de costado a través de la puerta.

RETIRAR LA PUERTA DEL FRIGORÍFICO Y EL CAJÓN DEL CONGELADOR (CONT.)

RETIRAR LA PUERTA DEL FRIGORÍFICO (CONT.)

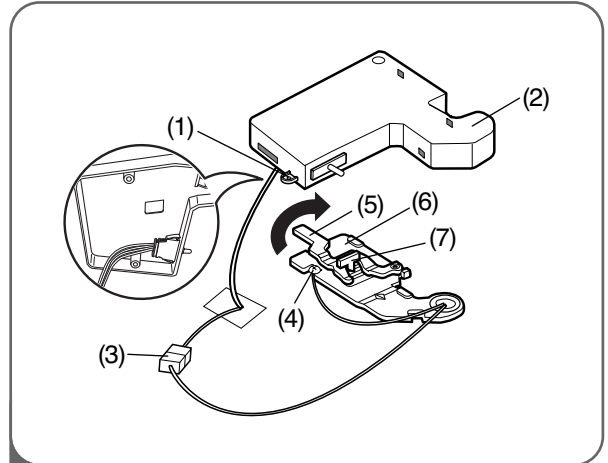


1 Para quitar la puerta izquierda del refrigerador:

- Abra la puerta. Retire el tornillo de la tapa de la bisagra superior (1).
- Utilice un destornillador de pala para levantar las pestañas de la parte frontal que se encuentran bajo la cubierta (2). Levante la tapa.
- Desconecte todos los arneses de cableado (3).
- Quite el tornillo de conexión a tierra (4).
- Gire la palanca de la bisagra (5) en el sentido contrario a las agujas del reloj. Levante la bisagra superior (6) separada del sujetador de la palanca de la bisagra (7).

IMPORTANTE: Cuando levante la bisagra separada del sujetador, tenga cuidado de que la puerta no caiga hacia delante.

- Levante la puerta desde la clavija de la bisagra del medio y quite la puerta.
- Coloque la puerta, con la parte interna hacia arriba, sobre una superficie que no raye.



2 Para quitar la puerta derecha del refrigerador:

- Abra la puerta. Retire el tornillo de la tapa de la bisagra superior (1).
- Utilice un destornillador de pala para levantar las pestañas de la parte frontal que se encuentran bajo la cubierta (2). Levante la tapa.
- Desconecte todos los arneses de cableado (3).
- Quite el tornillo de conexión a tierra (4).
- Gire la palanca de la bisagra (5) en el sentido de las agujas del reloj. Levante la bisagra superior (6) separada del sujetador de la palanca de la bisagra (7).

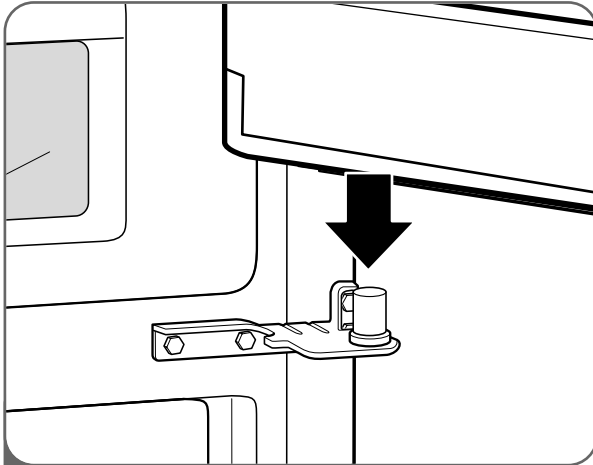
IMPORTANTE: Al levantar la bisagra de la pestaña, tenga cuidado, la puerta es pesada y puede caerse hacia delante.

- Levante la puerta desde la clavija de la bisagra del medio y quite la puerta.
- Coloque la puerta, con la parte interna hacia arriba, sobre una superficie que no raye.

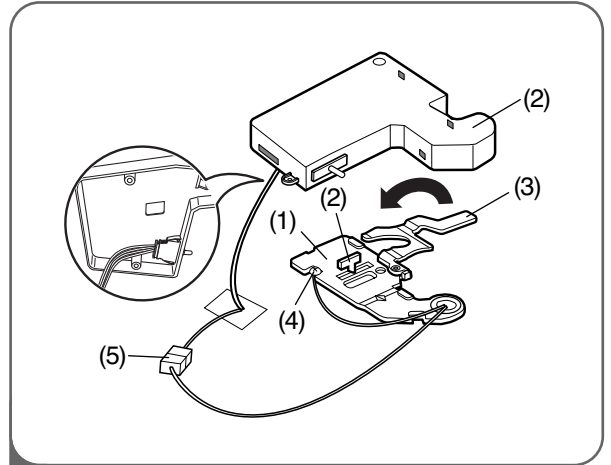
INSTALACIÓN

RETIRAR LA PUERTA DEL FRIGORÍFICO Y EL CAJÓN DEL CONGELADOR (CONT.)

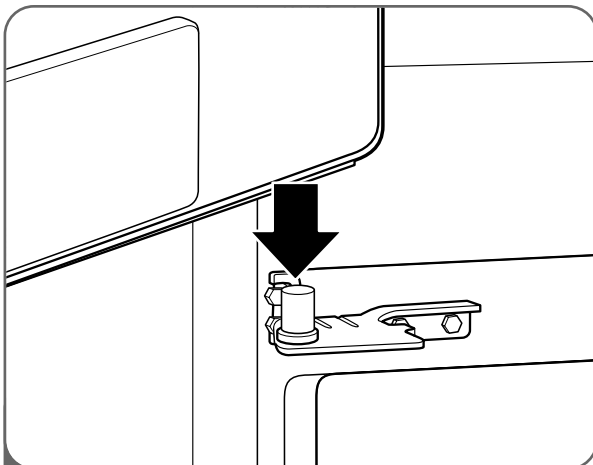
REINSTALACIÓN DE LA PUERTA DEL FRIGORÍFICO



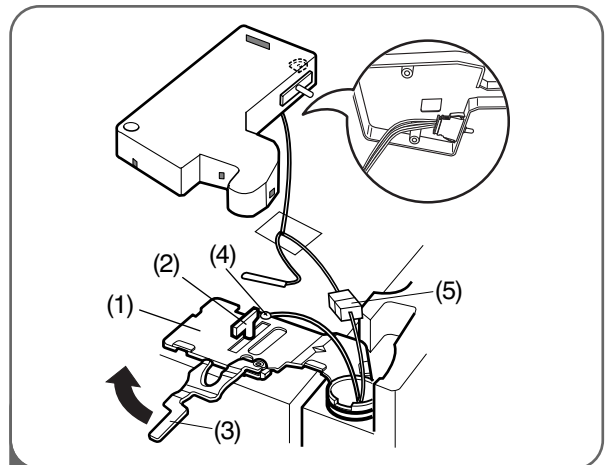
- 1 Instale primero la puerta derecha.
- Baje la puerta sobre la clavija de la bisagra del medio como puede verse.
 - Asegúrese de que el manguito de plástico esté insertado en la parte inferior de la puerta.



- 2
- Coloque la bisagra superior (1) sobre el sujetador de la palanca de la bisagra (2) y en su lugar. Gire la palanca en sentido contrario a las agujas del reloj y ajuste la bisagra (3).
 - Instale el tornillo de toma a tierra (4) y conecte todos los arneses (5).



- 3 Instale la puerta izquierda.
- Baje la puerta sobre la clavija de la bisagra del medio.



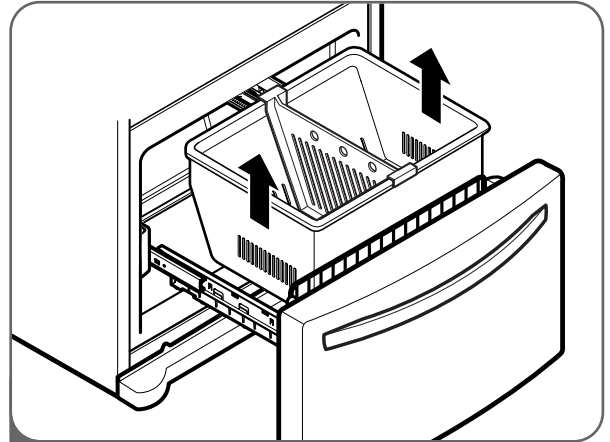
- 4
- Coloque la bisagra superior (1) sobre el sujetador de la palanca de la bisagra (2) y en su lugar. Gire la palanca en sentido de las agujas del reloj y ajuste la bisagra (3).
 - Instale el tornillo de toma a tierra (4) y conecte todos los arneses (5).

RETIRAR LA PUERTA DEL FRIGORÍFICO Y EL CAJÓN DEL CONGELADOR (CONT.)

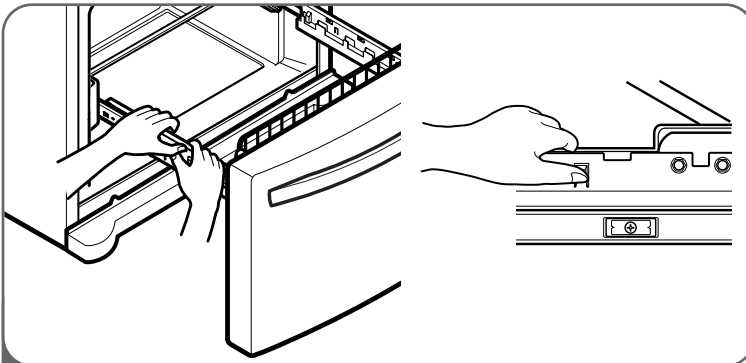
RETIRAR EL CAJÓN DEL CONGELADOR

⚠ PRECAUCIÓN

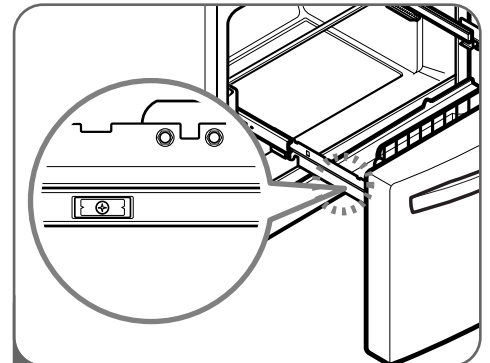
- Al retirar el cajón del congelador, tenga cuidado para evitar daños al producto o el entorno. Puede que necesite ayuda con las siguientes instrucciones.
- Para evitar daños no sujete la puerta por el asa cuando vaya a retirarla. Podría soltarse y causar daños.



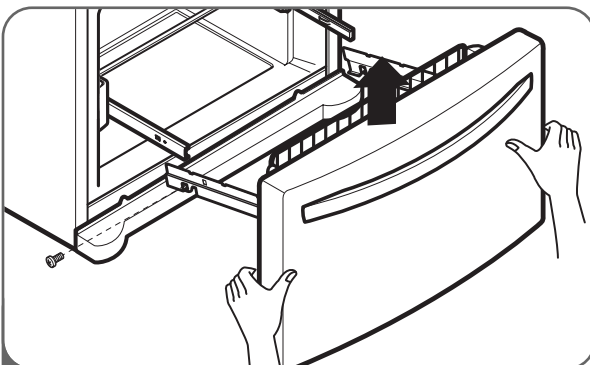
- 1 Para quitar el cajón del congelador, abra el cajón por completo. Quite la canasta inferior DuraBase® levantando la canasta desde el sistema de rieles.



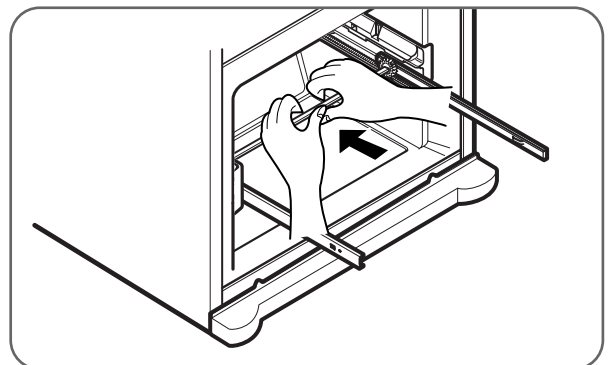
- 2 Separe la cubierta izquierda y derecha de la guía.



- 3 Retire los tornillos de ambos lados de la guía.



- 4 Con ambas manos, sujete los dos lados de la puerta y tire hacia arriba para separarla.



Con las dos manos, flexione el centro de la barra lo suficiente para permitir que los mecanismos de ambos extremos se suelten del riel.

⚠ CUIDADO : Cuando Ud. quite el cajón, no sostenga la agarradera. Si se sale, podría causar lesiones personales.

⚠ CUIDADO : Al colocar el cajón en el suelo, tenga cuidado para evitar daños en el suelo.

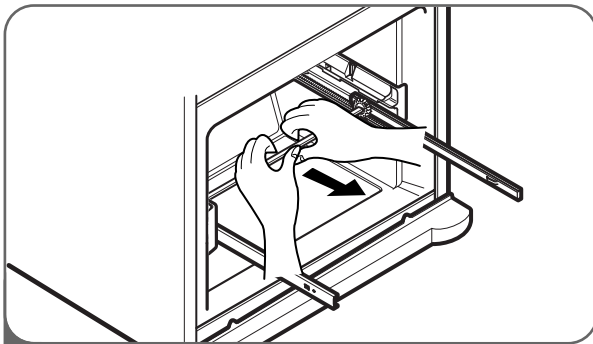
INSTALACIÓN

RETIRAR LA PUERTA DEL FRIGORÍFICO Y EL CAJÓN DEL CONGELADOR (CONT.)

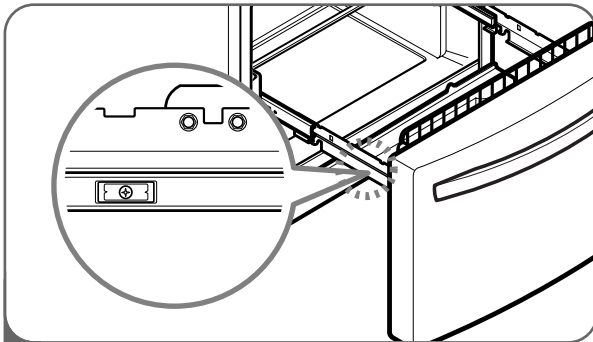
REINSTALACIÓN DEL CAJÓN DEL CONGELADOR

⚠ PRECAUCIÓN

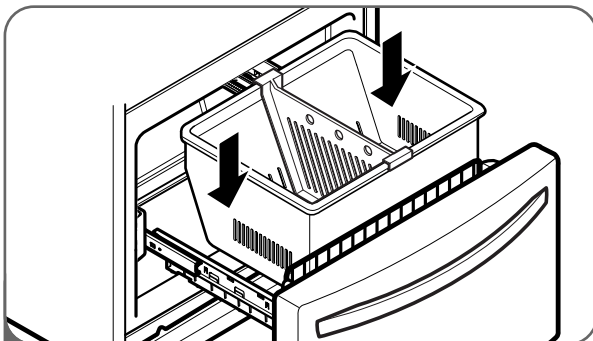
- A fin de evitar posibles lesiones o daños al producto y a la propiedad, harán falta dos personas para efectuar las siguientes instrucciones. Puede que necesite ayuda con las siguientes instrucciones.



- 1 Para volver a instalar el cajón del freezer, sostenga la barra central con ambas manos y tire hacia afuera hasta que los dos rieles estén extendidos por completo.



- 3 Empuje hacia abajo y monte el conector de la puerta apretando los tornillos.

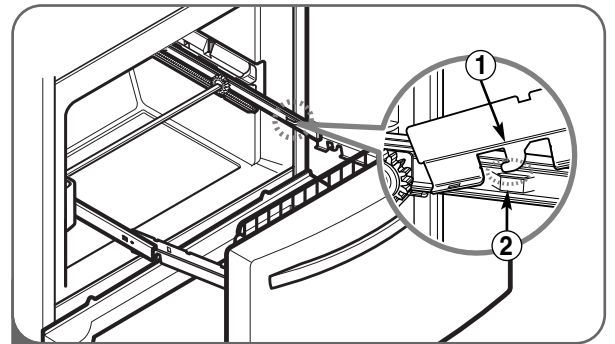


- 5 Con el cajón extraído en toda su extensión, inserte la canasta inferior en el ensamblaje del riel hasta que no se mueva hacia adelante.

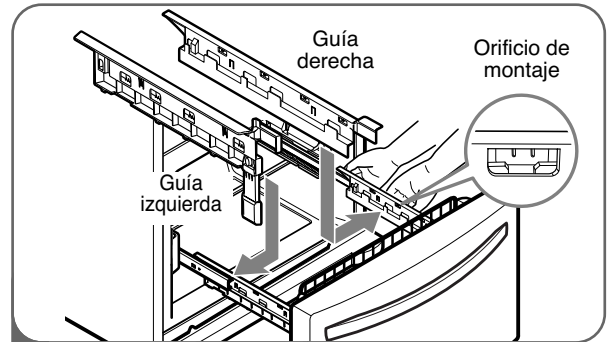
⚠ ADVERTENCIA

Riesgo de encierro para niños

- Para evitar el encierro accidental y riesgo de asfixia de niños y animales, NO permita que jueguen dentro del cajón del freezer.
- NO se pare o siente sobre el cajón del freezer.



- 2 Monte el conector de la puerta (1) a la percha de la guía (2).



- 4 Alinee los orificios superiores de la cubierta de la guía con los orificios superiores del conector de la puerta para montar la guía de la cubierta.

⚠ **ADVERTENCIA:** Para prevenir riesgos de atrapamiento y sofocación accidental de niños y mascotas, NO les permita jugar dentro del cajón.

⚠ **ADVERTENCIA:** NO se pare ni se siente sobre la puerta del congelador.

SUSTITUCIÓN DE BOMBILLA

Para cambiar la bombilla del frigorífico:

Este modelo incluye una iluminación interior de LED y la reparación debe ser llevada a cabo por un técnico cualificado.

⚠️ ADVERTENCIA

Peligro de Choque Eléctrico

Antes de reemplazar un foco quemado, desconecte el refrigerador o apague la corriente en el corta circuito o en la caja de fusibles.

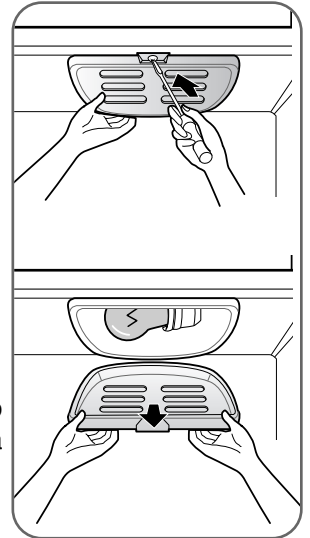
NOTA: Mover el control a la posición OFF no quita la energía al circuito de la luz.

NOTA:

- No todos los focos de electrodomésticos servirán con su refrigerador. Asegúrese de reemplazar el foco con uno del mismo tamaño, forma y vatios.
- Las bombillas se apagarán si la puerta se deja abierta durante siete minutos consecutivos. Si se cierra la puerta durante un Segundo las bombillas volverán a encenderse.

Para cambiar la luz del congelador:

1. Extraiga el cable de alimentación del refrigerador de la toma de corriente.
2. Utilice un destornillador para retirar el tornillo de la cubierta. (guarde el tornillo)
3. Usando una herramienta plana, retire con cuidado la tapa de la lámpara situada en la parte frontal como ilustra la ilustración. Gire hacia abajo para extraer las lengüetas posteriores.
4. Asegúrese que el foco está frío al tacto. Gírelo en sentido antihorario para extraerlo.
5. Sustitúyalo por otro nuevo de 60 vatios especial para electrodomésticos.
6. Introduzca las lengüetas de la parte posterior de la tapa en las ranuras del techo de la heladera. Presione la tapa hasta escuchar un chasquido que indique su correcta instalación.
7. Use un destornillador para montar el tornillo de la cubierta.



ESPAÑOL

⚠️ PRECAUCIÓN

- NO coloque los dedos dentro de la cubierta. El foco puede estar caliente.

CÓMO CONECTAR EL SUMINISTRO DE AGUA

⚠️ ADVERTENCIA

Conecte solamente a una fuente segura de agua potable.

- La presión de agua debe ser de 20~120 psi (1,4~8,4 kgf/cm²) en modelos sin filtro de agua y entre 43 y 121 psi (3~8,5 kgf/cm²) en modelos con filtro de agua.
- Si la presión no alcanza los 20 psi (1,4 kgf/cm²) o cae debajo de la misma, resulta necesario comprar una bomba de presión separada para lograr un funcionamiento normal de la máquina automática de hielo y del dispensador de agua.
- Se recomienda que la longitud del tubo de suministro de agua no supere los 26 pies (8 m).
- Instale la línea de suministro de agua donde no se vea afectada por el calor.
- Si se conecta un **sistema de filtración de agua por ósmosis inversa al suministro de agua fría**, la instalación del conducto de agua no quedará cubierta por la garantía del fabricante del frigorífico la cubitera. Siga estas instrucciones con cuidado para minimizar el riesgo de caros daños por agua.
- Si se conecta un **sistema de filtración de agua por ósmosis inversa al suministro de agua fría**, la presión del agua al sistema de ósmosis inversa debe tener un mínimo de 40 a 60 psi (2.8 kgf/cm² ~ 4.2 kgf/cm², menos de 2.0~3.0 seg en llenar una taza de 19cl.).
Si la presión de agua del sistema de ósmosis inversa es menor a 20 psi (1.4 kgf/cm², más de 4.0 seg. en llenar una taza de 19cl.)
- Compruebe que el filtro de sedimentos del sistema de ósmosis inversa no está bloqueado. Cambie el filtro si es necesario.
- Tras un uso severo del depósito de almacenamiento, deje que vuelva a llenarse antes de usarlo.
- Si continúa el problema de la presión del agua en el sistema de osmosis inversa, llame a un fontanero cualificado.

IMPORTANTE: Lea todas las instrucciones por completo antes de comenzar.

- Si pone en funcionamiento el refrigerador antes de instalar la conexión de agua, gire la máquina de hielo a la posición OFF (apagado) para evitar el funcionamiento sin agua.
- Todas las instalaciones deben cumplir con requerimientos locales de códigos de plomería.
- Use tuberías de cobre y controle posibles pérdidas.
- Instale tuberías sólo en áreas en donde las temperaturas se mantengan por encima del punto de congelación.
- La máquina de hacer hielo puede tardar hasta 24 horas en comenzar a producir cubitos.

Herramientas necesarias

- Destornillador estándar
- Llave inglesa de extremo abierto de 7/16 pulg. y 1/2 pulg. o dos llaves ajustables
- Llave de tuercas de 1/4 pulg
- Broca de perforadora de 1/4 pulg
- Perforadora de mano o eléctrica (con conexión a tierra adecuada)

NOTA: Los vendedores de refrigeradores ofrecen un kit con una válvula de retención de tipo montura, una unión, y una tubería de cobre.

Antes de comprar, verifique que la válvula tipo montura cumpla con los códigos de plomería.

No utilice una válvula de montura del tipo perforadora o de 3/16 pulg., ya que reduce el flujo de agua y se tapa más fácilmente.

NOTA: Deberá cumplirse con el Código de Plomería de la Mancomunidad de Massachusetts 248CMR. Las válvulas de montura son ilegales en Massachusetts y su uso no está permitido. Consulte con un plomero matriculado.

Suministro de agua fría

- La válvula de agua de la máquina de hielo contiene una arandela de flujo que se utiliza como un regulador de presión de agua.
- La máquina de hielo necesita estar conectada a una línea de agua fría con una presión de agua de 20~120 psi (1,4~8,4 kgf/cm²) en modelos sin filtro de agua y entre 43 y 121 psi (3~8,5 kgf/cm²) en modelos con filtro de agua.

CÓMO CONECTAR LAS LÍNEAS DE AGUA

IMPORTANTE: Antes de conectar las tuberías a la línea de agua, desenchufe el refrigerador o desconecte la energía.

- Apague el suministro de agua principal y abra la canilla más cercana para liberar presión de la línea. Abrir una canilla externa puede ayudar a drenar agua de la línea del hogar.
- Busque una tubería vertical de agua FRÍA de 1/2 pulg. ubicada cerca del refrigerador.

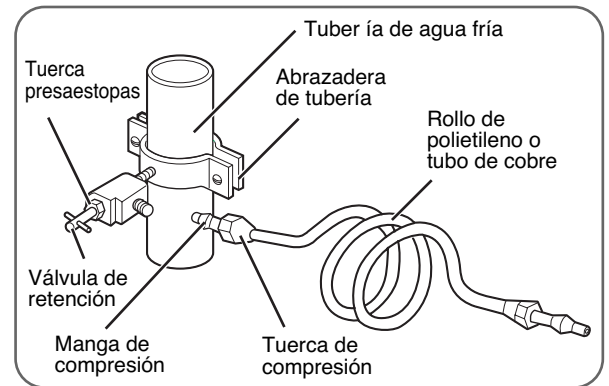
NOTA: Puede utilizarse una tubería horizontal, pero debe tomarse la siguiente precaución:

Perfore la parte superior de la tubería, no la inferior. Esto servirá para mantener el agua lejos de la perforadora y también evitará que se acumule sedimento en la válvula.

- Para determinar la longitud de la tubería de cobre que necesitará, mida la distancia desde la conexión de la parte inferior izquierda del refrigerador hasta la tubería de agua. Agregue 7 pies (2,1 m) para permitir el desplazamiento del refrigerador para la limpieza. Use tuberías de cobre de 1/4 pulg. de diámetro externo. Verifique que ambos lados de la tubería de cobre estén cortados en ángulo recto.
- Con una perforadora, realice un orificio de 1/4 pulg. en la tubería de agua fría.
- Conecte la válvula de retención a la tubería de agua fría con la abrazadera. Asegúrese de que el extremo de la salida se encuentre bien colocado en el orificio de 1/4 pulg. de la tubería de agua y que la arandela esté bajo la abrazadera de la tubería. Ajuste la tuerca prensaestopas. Ajuste los tornillos de la abrazadera con cuidado y en forma pareja para que la

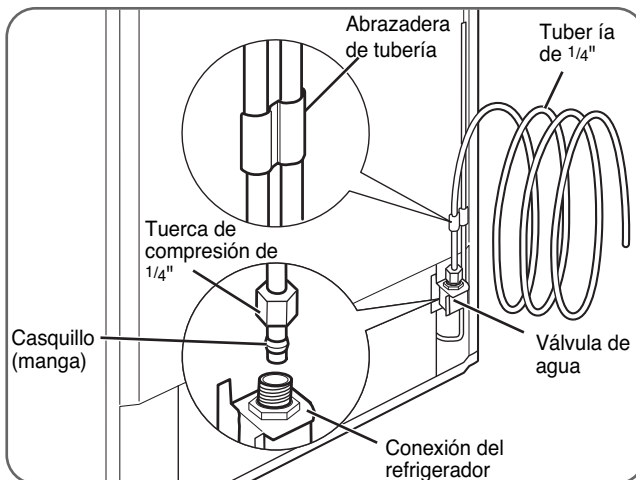
arandela haga un sellado hermético. No ajuste de más ya que puede romper la tubería de cobre, especialmente si utiliza tubería de cobre blanda (enrollada). Ya está listo para conectar la tubería de cobre

- Deslice la manga de compresión y la tuerca de compresión en la tubería de cobre como puede verse. Introduzca el extremo de la tubería en la salida hasta donde sea posible. Atornille la tuerca de compresión en el extremo de la salida con una llave inglesa. Una llave para tuercas cónicas es lo mejor, pero es suficiente una llave de extremo abierto. No ajuste de más.
- Coloque el extremo libre de la tubería en el recipiente o fregadero, y abra el suministro de agua principal. Haga circular agua por la tubería hasta que el agua salga limpia. Cierre la válvula de retención de la tubería de agua. Enrosque la tubería de cobre como puede verse.



IMPORTANTE: Antes de conectar la tubería al refrigerador, asegúrese de que el cable de energía del refrigerador no esté enchufado en el tomacorriente.

NOTA: Si su refrigerador está equipado con un filtro de agua interno, no deberá utilizarse un filtro de agua externo en línea.



- Quite la tapa plástica flexible de la válvula de agua.
- Coloque la tuerca de compresión y casquillo (manga) en el extremo de la tubería como puede verse.

• Introduzca el extremo de la tubería de cobre en la conexión lo más adentro posible. Mientras sostiene la tubería, ajuste el accesorio.

IMPORTANTE: Ajuste las conexiones que tengan pérdidas. Abra el agua desde la válvula de retención.

- Enchufe el refrigerador.
- Coloque el rollo de tubería de cobre detrás del refrigerador de modo que no vibre contra la parte trasera del refrigerador o la pared.
- Controle la presencia de pérdidas.
- Antes de conectar la línea de agua en casa, purgue la línea de agua durante 2 minutos.

NOTA: El agua puede tardar unos segundos en comenzar a fluir hasta que el tanque interno se llene y el aire desaparezca de las líneas.

- Empuje el refrigerador contra la pared.
- Coloque el interruptor de la máquina de hacer hielo en la posición ON (encendido).

NOTA: La máquina de hielo comenzará a funcionar cuando alcance la temperatura de 15°F (-9°C). Comenzará a funcionar de manera automática.

NOTA: Deseche las primeras tandas de hielo (cerca de 20 cubitos).

CÓMO NIVELAR LAS PUERTAS DEL REFRIGERADOR

⚠️ ADVERTENCIA

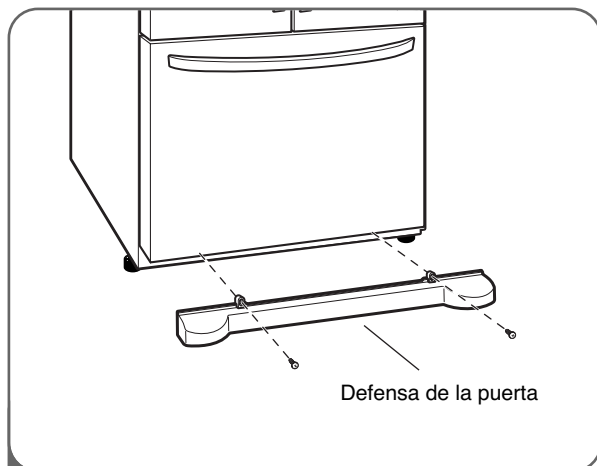
Peligro de descarga eléctrica

- Tenga cuidado al trabajar con las bisagras, parrilla de la base, y retén. Puede resultar herido.
- No introduzca manos o pies, u objetos metálicos, en los conductos de ventilación, rejilla de la base o en la parte inferior del refrigerador. Podría sufrir daños o recibir una descarga eléctrica.

Nivelación

Tras instalarlo, fije el producto con las PATAS, para que no se mueva ni a derecha ni izquierda.

Su refrigerador cuenta con dos patas niveladoras en el frente, una sobre la derecha y otra sobre la izquierda. Ajuste las patas para modificar la inclinación de frente a parte trasera o de lado a lado. Si su refrigerador no parece estable o si desea que las puertas se cierren más fácilmente, ajuste la inclinación del refrigerador siguiendo las siguientes instrucciones:



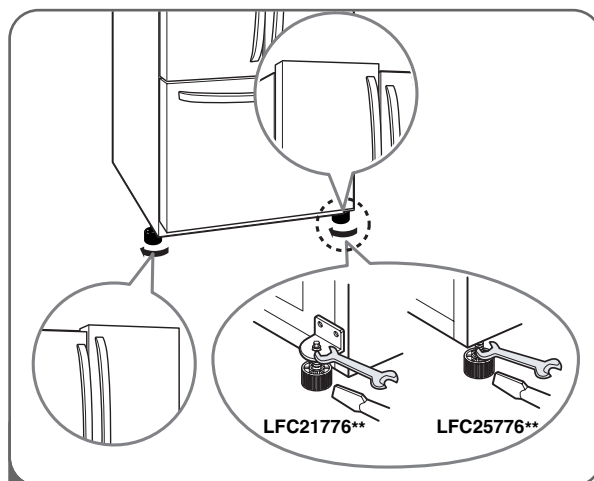
- 1 Enchufe el cable de energía en un tomacorriente de tres patas con conexión a tierra y desplace el refrigerador a su ubicación final. Quite los tornillos de la defensa de la puerta y luego la defensa de la puerta.

- Abra el cajón del congelador.
- Una vez abierto el cajón, queda suficiente espacio para quitar los tornillos ubicados sobre la defensa de la puerta.

NOTA: Para volver a instalar la defensa, colóquela en su lugar y luego introduzca los tornillos.

⚠️ PRECAUCIÓN

- A fin de evitar posibles lesiones o daños al producto y a la propiedad, harán falta dos personas para llevar a cabo las siguientes instrucciones.



- 2 Nivele el refrigerador mediante una llave de 8mm, 18mm o un destornillador de punta plana.

Suba (en sentido horario) o baje (en sentido antihorario) la pata izquierda /derecha para nivelar el refrigerador.

NOTA: Si alguien empuja el refrigerador hacia atrás desde la parte superior, se quita peso sobre las patas de nivelación, lo que facilita el ajuste.

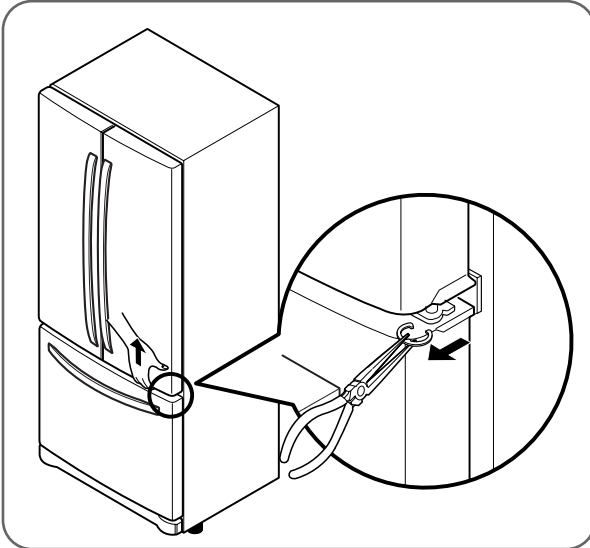
NOTA: Abra las dos puertas para verificar que cierren bien. Si no, eleve las patas niveladoras girando las dos en forma equitativa en sentido de las agujas del reloj. Una vez que el refrigerador esté nivelado, vuelva a colocar la defensa de la puerta.

NOTA: Su nuevo refrigerador tiene un diseño original de dos puertas para alimentos frescos. Las dos puertas pueden abrirse o cerrarse de manera independiente. Tendrá que ejercer un poco de presión sobre las puertas para cerrarlas por completo.

NOTA: Para evitar desplazar el refrigerador hacia delante y atrás, fíjelo al suelo mediante 'Ajuste' para su instalación y uso.

CÓMO NIVELAR LAS PUERTAS DEL REFRIGERADOR (CONT.)

ALINEACIÓN DE LAS PUERTAS



Si el espacio entre sus puertas es desigual, siga las instrucciones a continuación para alinear las puertas:

- Con una mano, levante la puerta que desee para aumentar a la bisagra media.
- Con la otra mano, use los alicates para insertar el anillo de retención como se muestra.
- Inserte los anillos de retención adicionales hasta que las puertas se alineen. (son suministrados tres anillos de retención con la unidad)

INICIO

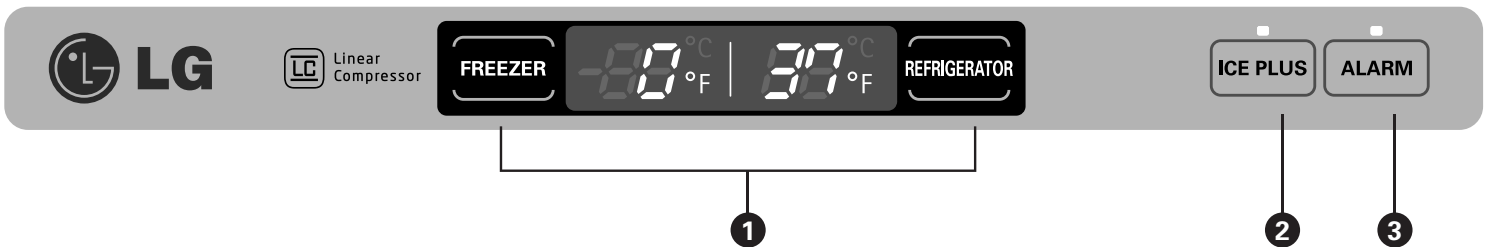
Antes de cargar su refrigerador con alimentos frescos:

- Quite cintas adhesivas o etiquetas temporarias de su refrigerador antes del uso. Para quitar restos de adhesivos, frote el área con el pulgar, o frote una pequeña cantidad de detergente de platos sobre el adhesivo con sus dedos. Limpie con agua tibia y seque. No utilice instrumentos filosos, alcohol, líquidos inflamables, o limpiadores abrasivos para quitar cinta adhesiva o pegamento.
NOTA: No quite etiquetas de advertencia, la etiqueta con el modelo y número de serie, o la planilla técnica adherida sobre la pared trasera del refrigerador.
- Limpie muy bien su refrigerador y elimine todo el polvo que se haya podido acumular durante el envío.

- Instale accesorios como el depósito de cubitos de hielo, cajones y baldas, en sus ubicaciones correspondientes. Están embalados juntos para evitar posibles daños durante el transporte.
- Ajuste la temperatura deseada para el refrigerador y congelador (ver Cómo ajustar la temperatura y las funciones).
- Deje funcionar su refrigerador por lo menos 2 o 3 horas antes de guardar alimentos. Verifique el flujo de aire frío en el congelador para garantizar un enfriamiento adecuado. Su refrigerador ya está listo para usar.

CÓMO UTILIZAR

CONFIGURACIÓN DE CONTROLES

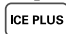


1 TEMPERATURA

- Su refrigerador cuenta con un panel de control en el interior del compartimento del refrigerador que le permite regular la temperatura de los compartimentos de la heladera y el refrigerador.
- Ajuste inicialmente el control del refrigerador a 3°C (37°F) y el control de la heladera a -18°C (0°F). Mantenga la unidad con estos ajustes durante 24 horas (un día) para que se estabilice. A continuación, ajuste la temperatura del compartimento como desee.
- Control de temperatura del refrigerador: de 0°C a 8°C (de 33°F a 46°F)
Cuanto menor sea el número ajustado, más frío estará el compartimento del refrigerador.
- Control de temperatura de la heladera: de -21°C a -13°C (de -6°F a 8°F)
Al ajustar la configuración en un número inferior, el compartimento de la heladera estará aún más frío. El compartimento del refrigerador se calentará más debido a la reducción en el flujo de aire frío.




2

ICE PLUS

- Al pulsar el botón ICE PLUS, el gráfico [] se iluminará en pantalla y continuará iluminado durante 24 horas. Se apagará automáticamente después de 24 horas.
O puede detener manualmente esta función pulsando el botón una vez más.
- Esta función incrementa las capacidades de congelación y elaboración de hielo.

NOTA: Si usted quiere cambiar de °F a °C, presione y sostenga al mismo tiempo los botones FREEZER y REFRIGERATOR, por un poco más de 5 segundos y si usted quiere cambiar DE °C a °F, sosténgalos otra vez por 5 segundos.

3 ALARMA

- Al conectar el refrigerador al suministro eléctrico, la alarma de la puerta se encontrará inicialmente en ON (encendida) y su pantalla mostrará [] (ON).
- Si deja la puerta del refrigerador o de la heladera abierta durante más de 60 segundos, la alarma se activará avisándole del descuido.
- Al cerrar la puerta, la alarma se desactivará inmediatamente.
- Si desea desactivar la función de alarma de la puerta, pulse el botón [] y, a continuación, la pantalla de la alarma cambiará a [] (OFF).

⚠ PRECAUCIÓN

Ajuste del modo de visualización y cancelación

- Abra la puerta del frigorífico y mantenga presionados los botones de REFRIGERATOR y ICE PLUS durante más de 5 segundos para acceder al modo de demostración con indicación sonora especial. Se emitirá una indicación sonora especial.
- Vuelva a realizar la misma operación para cancelar el modo de demostración.
- Toda la unidad del congelador se desactivará en el modo de demostración, excepto la bombilla y la pantalla.

MÁQUINA AUTOMÁTICA PARA HACER HIELO

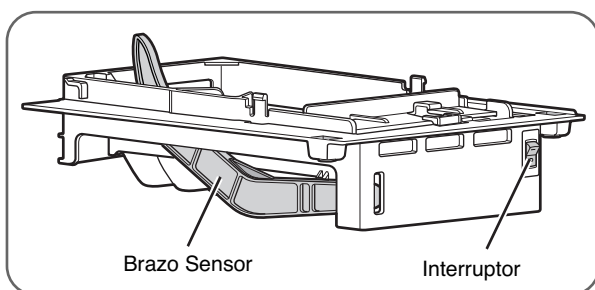
⚠️ ADVERTENCIA

Peligro de Lesión Personal

- NO introduzca las manos en el fabricante de hielo cuando esté en marcha. Podría lesionarse.

Instrucciones de operación

Un refrigerador nuevamente instalado se puede tomar de 12 a 24 horas para comenzar a hacer hielo



La máquina de hielo producirá 12 cubitos por ciclo, entre 90-130 cubitos cada 24 horas aproximadamente, dependiendo de la temperatura del congelador, la temperatura ambiente, el número de veces que se abra la puerta y otras condiciones de funcionamiento.

Si el refrigerador es usado antes de que la conexión del agua sea efectuada con el fabricante de hielo, ajuste el conmutador de energía a O (apagado).

Cuando el refrigerador haya sido conectado al suministro de agua, ajuste el conmutador de energía a I (encendido).

La fábrica de hielo se llenará con agua cuando se enfríe a una temperatura de congelación. Un refrigerador recién instalado puede requerir de 12 a 24 horas para comenzar a hacer cubos de hielo.

Deshágase de los primeros lotes de hielo para permitir que la línea de agua se limpie.

Asegúrese de que nada interfiera con el barrido del brazo del sensor.

Cuando el compartimento se llene a nivel del brazo del sensor, la máquina fábrica de hielo dejará de producir hielo.

Es normal que varios cubos de hielo se atoren.

Si el hielo no se usa frecuentemente, los cubos de hielo viejo se volverán nubosos, de mal sabor y más pequeños.

NOTA: Si el tamaño del cubo es menor o mayor de lo que usted esperaba, usted puede regular el tamaño con el botón del tamaño de los cubos.

Cada vez que usted presiona el botón de tamaño de los cubos, la luz del indicador se mueve hacia arriba. A más alta posición de la luz, mayor será el tamaño de los cubos. Presionar en la posición más alta regresa el indicador a la posición más baja.

Cuando debería ajustar el conmutador de encendido de la fábrica de hielo a O (apagado)

- Cuando el suministro de agua será cortado por varias horas.
- Cuando el recipiente de almacenamiento de hielo sea retirado por más de uno o dos minutos.
- Cuando el refrigerador no será usado por varios días.

Sonidos normales que usted puede escuchar

- La válvula de la fábrica de hielo producirá un zumbido mientras el productor de hielo se llene con agua. Si el conmutador de energía está en la posición I (encendido), producirá el zumbido aún si no ha sido conectado al agua. Para detener el sonido, mueva el conmutador de encendido a O (apagado).

NOTA: Mantener el conmutador de encendido en la posición I (encendido) antes de que la línea de agua sea conectada puede dañar la fábrica de hielo.

- Usted escuchará el sonido de los cubos cayendo en el recipiente y el agua corriendo en los tubos conforme la fábrica de hielo se recargue.

Preparándose para salir de vacaciones

Ponga el conmutador de energía de la fábrica de hielo en O (apagado) y corte el suministro de agua al refrigerador.

Si la temperatura ambiente baja más allá del punto de congelación, haga que un técnico de servicio calificado drene el sistema de suministro de agua para prevenir serios daños a la propiedad debido a la inundación desde líneas o conexiones de agua rotas.

ALMACENAMIENTO DE ALIMENTOS

- Guarde los alimentos frescos en el refrigerador.
- La manera en que los alimentos se congelan y descongelan es un factor importante para mantener la frescura y el sabor.
- No almacene alimentos que se echan a perder con facilidad, como bananas y melones, a bajas temperaturas.
- Deje que los alimentos calientes se enfríen antes de almacenarlos; colocar alimentos calientes en el refrigerador puede arruinar otros alimentos y provocar un mayor consumo de energía.
- Al guardar alimentos, cúbralos con un envoltorio plástico o dépositelos en un recipiente con tapa. Esto evita que la humedad se evapore y ayuda a que los alimentos mantengan su sabor y nutrición.
- No bloquee las ventilaciones de aire con alimentos o contenedores. Una buena circulación de aire frío mantiene constantes las temperaturas del refrigerador.
- No abra las puertas con frecuencia. Cuando se abren las puertas del refrigerador y del freezer, ingresa aire caliente, lo que provoca un aumento de las temperaturas.
- Nunca sobrecargue los estantes de la puerta; si lo hace, los productos pueden golpear contra los estantes internos y evitar que las puertas se cierren correctamente.

Congelador

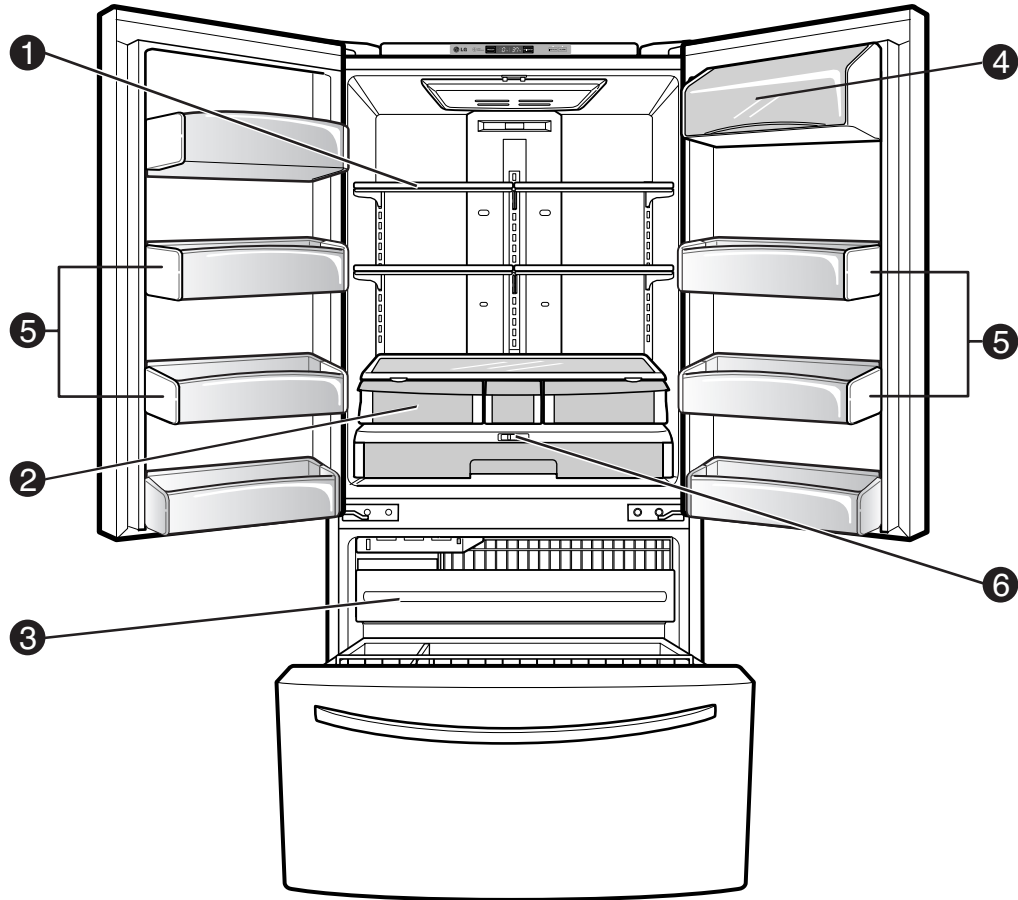
- No guarde botellas de vidrio en el congelador; el vidrio puede romperse cuando los contenidos se congelen.
- No vuelva a congelar alimentos que han sido descongelados. Esto provoca pérdida de sabor y de nutrición.
- No toque alimentos o recipientes fríos, en especial hechos de metal, con manos húmedas o coloque productos de vidrio en el congelador.
- No utilice la huevera como un recipiente para hielo en el congelador. La huevera se romperá fácilmente si se congela.

Refrigerador

- No coloque alimentos húmedos en los estantes superiores del refrigerador, ya que podrían congelarse por contacto directo con el aire frío.
- Siempre lave los alimentos antes de colocarlos en el refrigerador. Los vegetales y frutas deben lavarse y secarse, y los alimentos empaquetados deben secarse para evitar que los alimentos cercanos se echen a perder.

NOTA: Instalar el refrigerador en un lugar caliente y húmedo, la frecuente apertura de la puerta o guardar muchos vegetales en el refrigerador puede generar condensación. Limpie la condensación con un paño limpio o una toalla de papel.

UBICACIÓN DE ALIMENTOS



1 ESTANTES DEL REFRIGERADOR

Guarde productos, fuentes, y recipientes más grandes en los estantes expansivos del refrigerador.

2 CAJONES

Conserve vegetales o frutas con control de humedad.

3 CAJÓN DEL FREEZER DESLIZABLE

Almacene pequeños alimentos congelados y empaquetados, o conserve carne, pescado, y pollo envueltos en papel metálico. Guarde los productos secos.

4 RINCÓN PARA LÁCTEOS

Conserve productos lácteos como manteca y queso.

5 CESTAS DE ALMACENAMIENTO DE 3,7L. (1 GALÓN)

Almacene pequeños alimentos empaquetados y bebidas, como condimentos, condimentos para ensalada, alimentos para bebé, leche, o jugo.

6 GLIDE'N'SERVE (CAJÓN DESLIZANTE)

Proporciona espacio de almacenamiento con un control de temperatura variable que mantiene el compartimento más frío que el refrigerador.

CÓMO UTILIZAR

AJUSTE DE LA ALTURA DE LOS ESTANTES

Los estantes del refrigerador son ajustables para satisfacer sus necesidades de almacenamiento.

Guardar alimentos similares juntos en su refrigerador y ajustar los estantes a diferentes alturas facilitarán el acceso al elemento buscado; también reducirá el tiempo en que la puerta del refrigerador queda abierta, y así se ahorrará energía.

IMPORTANTE: No limpie estantes de vidrio con agua tibia cuando están fríos. Los estantes pueden romperse si se los expone a cambios de temperatura o a impactos. Para su protección, los estantes de vidrio están hechos de vidrio templado, el que se rompe en pequeños pedazos del tamaño de guijarros.

NOTA: Los estantes de vidrio son pesados. Tenga mucho cuidado al quitarlos para evitar que caigan al suelo.

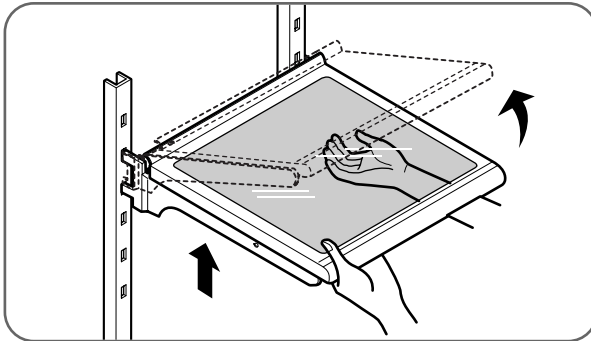
Estantes ajustables

Retire las baldas de su posición de transporte e instálelas en la posición deseada.

⚠ PRECAUCIÓN

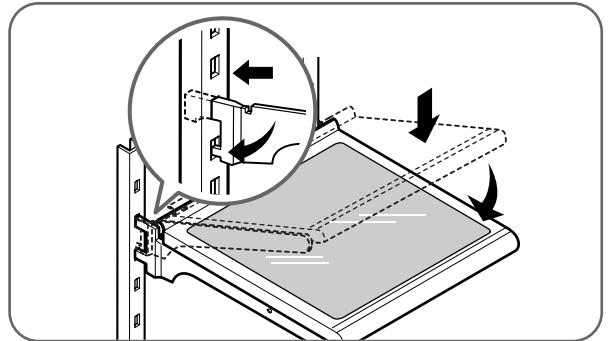
Asegúrese de que las baldas estén bien niveladas en ambos lados. Si no lo estuvieran, las baldas podrían caer o se podrían derramar líquidos y alimentos.

Quite el estante



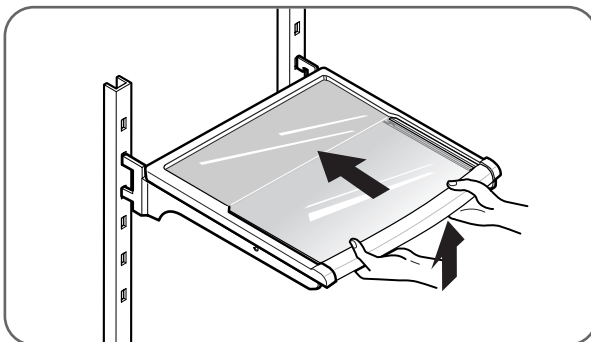
Incline hacia arriba el frente del estante. Levante la parte trasera y quite el estante.

Reinstale el estante



Incline el frente del estante y guíe los ganchos del estante dentro de las ranuras a la altura deseada. Luego baje el frente del estante para que los ganchos encajen en las ranuras.

Estante plegable



Esta balda le permitirá almacenar elementos de mayor tamaño, como recipientes de un galón o botellas altas.

Tire hacia usted para que el estante retome su tamaño y posición habitual.

CÓMO QUITAR Y REINSTALAR COMPONENTES

NOTA: Cuando reinstale componentes, invierta el orden de los pasos tomados al quitarlos. A fin de evitar daños, nunca aplique demasiada fuerza al quitar o reinstalar componentes.

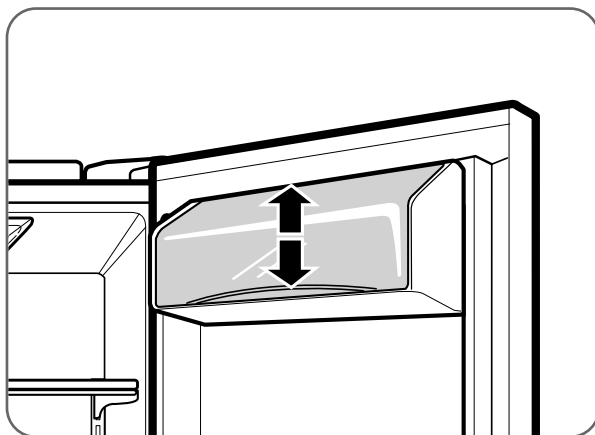
⚠ PRECAUCIÓN

• Pueden provocarse lesiones personales si los recipientes de la puerta no están bien colocados.

NOTA: NO ajuste un recipiente cargado.

• NO permita que los niños jueguen con los canastos. Los extremos afilados de los canastos pueden provocar lesiones.

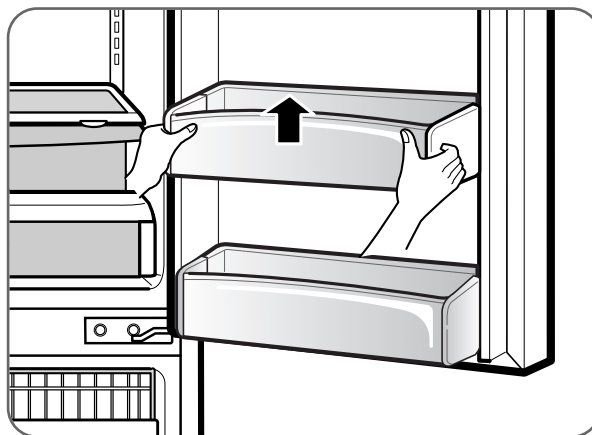
Recipiente de lácteos



Para quitar el recipiente de lácteos, sólo levántelo y sáquelo. Para volver a colocarlo, deslícelo en su lugar y presiónelo hacia abajo hasta que se detenga.

NOTA: El compartimento para lácteos sólo podrá instalarse en el espacio superior de la puerta derecha.

Cestas de almacenamiento De 3,7l. (1 galón)

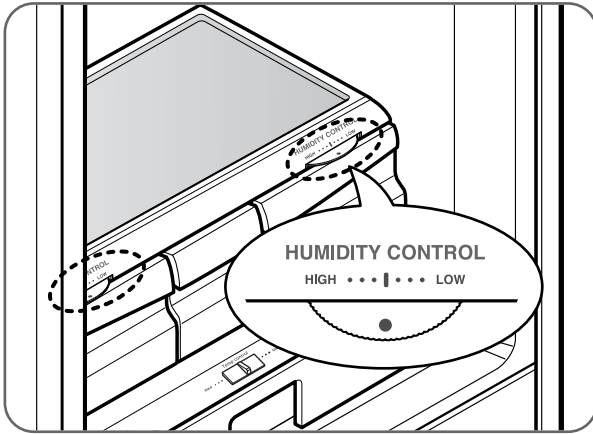


Los recipientes de la puerta son desmontables para una limpieza y ajuste sencillos. Sólo levante el recipiente y tire de él para retirarlo. Para volver a colocarlo, deslícelo sobre el soporte deseado y empújelo hacia abajo hasta que se detenga.

CÓMO UTILIZAR

CÓMO QUITAR Y REINSTALAR COMPONENTES (CONT.)

Control de la humedad del recipiente para hortalizas firmes

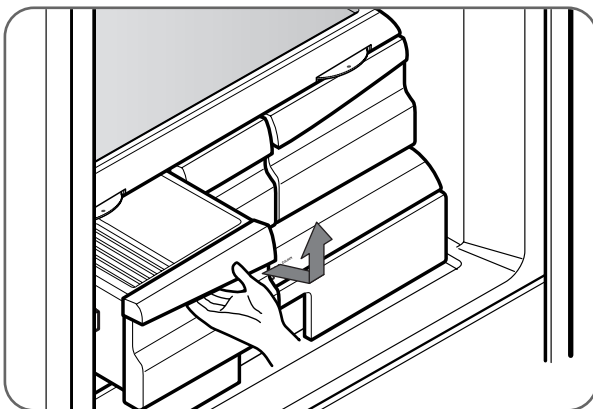


Es posible controlar el nivel de humedad de los cajones para fruta y verdura protegidos contra humedad. Almacene verduras o frutas, que necesiten más o menos humedad, en cajones diferenciados para fruta y verdura. Ajuste el control en cualquier punto entre ALTO (HIGH) y BAJO (LOW).

- LOW permite que el aire húmedo salga del accesorio para un mejor almacenamiento de frutas.
- HIGH mantiene aire húmedo en el accesorio para mejor almacenamiento de hortalizas de hoja, frescos.

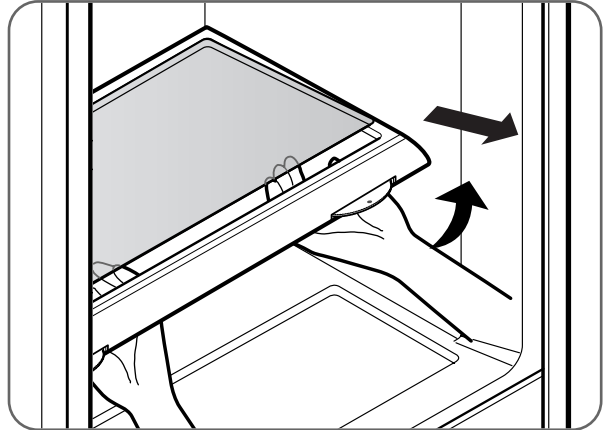
CUIDADO: El anaquel de cristal encima del recipiente para hortalizas no está asegurado firmemente. Tenga cuidado al inclinarlo.

Para retirar el recipiente para hortalizas



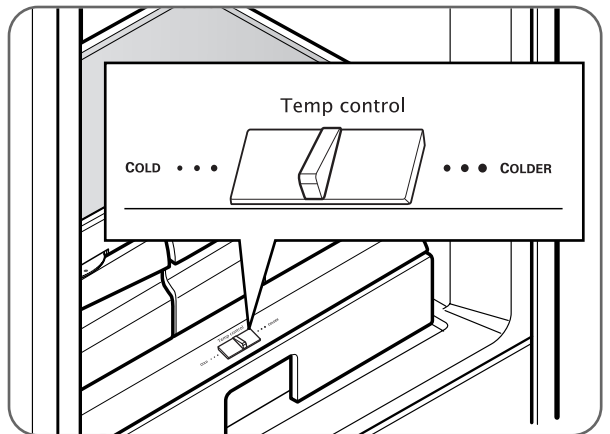
- Para retirar, jale el cajón hacia fuera a toda su extensión.
- Levante el frente del recipiente, luego jálelo derecho hacia afuera.
- Para instalar, incline hacia arriba ligeramente el frente e inserte el cajón en el bastidor y empuje hacia atrás para que quede en su lugar.

Para quitar el vidrio



- Levante el vidrio después de haber insertado un dedo en el agujero situado debajo de la cubierta del cajón.
- Levante el vidrio y sáquelo.

Glide'N'Serve (Cajón Deslizante)



El Glide'N'Serve (Cajón Deslizante) proporciona espacio de almacenamiento con un control de temperatura variable que mantiene el compartimento más frío que el refrigerador.

Este cajón puede utilizarse para charolas grandes, fiambre o bebidas. (Pero no debe usarse para verduras.)

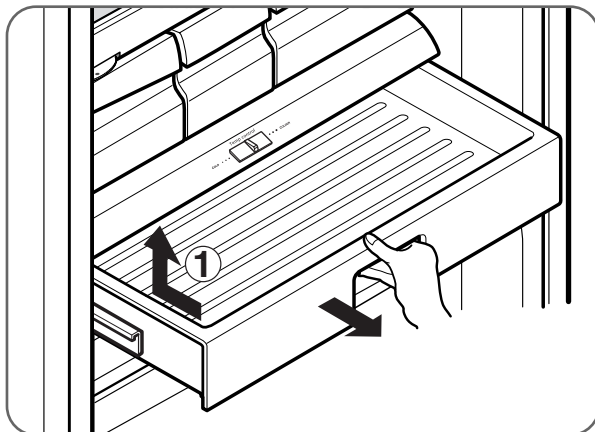
Controles

El control regula la temperatura del aire en el cajón. Utilice el ajuste COLD (impreso en la superficie) para una temperatura de refrigerador normal. Utilice el ajuste COLDER (impreso en la superficie) para carnes o fiambre.

NOTA: El aire frío dirigido al cajón deslizante puede disminuir la temperatura del refrigerador. Es posible que necesite ajustar el control del refrigerador.

CÓMO QUITAR Y REINSTALAR COMPONENTES (CONT.)

Para volver a colocar el cajón deslizante



- Para quitar, jale el cajón hacia afuera lo máximo posible.
- Levante la parte delantera del cajón y, a continuación, sáquelo.
- Para instalar, levante apenas la parte frontal e inserte el cajón en el bastidor empújelo hasta su posición.

⚠ PRECAUCIÓN

- Cuando cierre la puerta del frigorífico con el GLIDE'N'SERVE DRAWER (CAJÓN "DESILIZAR Y SERVIR") abierto, el cajón podría romperse.

NOTA: Para reducir el riesgo de arañar la puerta es recomendable retirar la cesta fija de la puerta.

⚠ PRECAUCIÓN

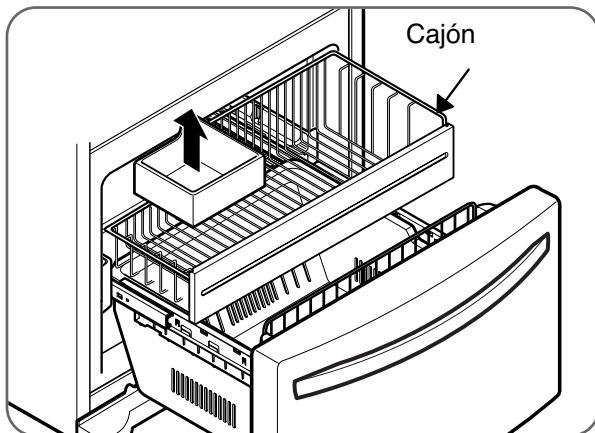
- Peligro de pellizco! Mantenga manos y pies lejos de la base de la puerta cuando la abra y cierra.

⚠ ADVERTENCIA

Peligro de encierro para niños

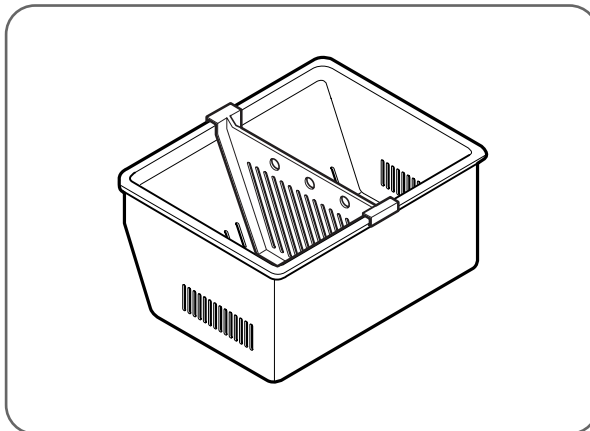
- Si retira el divisor Durabase, creará suficiente espacio como para que los niños, o mascotas, se introduzcan en el electrodoméstico. Para evitar el atrapamiento accidental de niños o mascotas, y para evitar el riesgo de asfixia, NO les permita jugar en el interior de la unidad.

Recipiente de hielo



Para separar el recipiente de hielo, extienda el cajón por completo. Con suavidad, levante y quite el recipiente de hielo. Para volver a instalar, coloque el recipiente de hielo en su posición correcta.

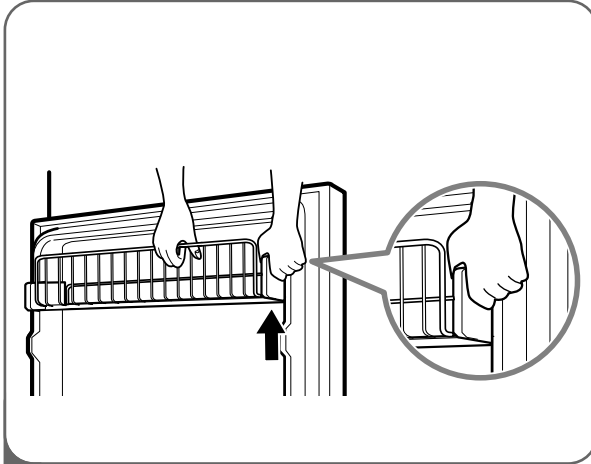
División DuraBase®



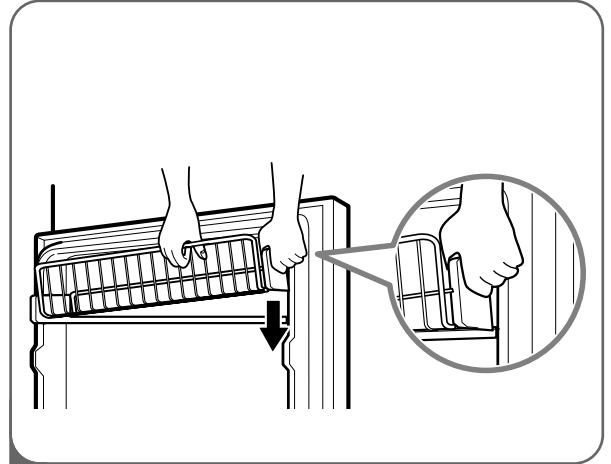
CÓMO UTILIZAR

CÓMO QUITAR Y REINSTALAR COMPONENTES (CONT.)

Canasto de la puerta inclinable (LFC25776**)



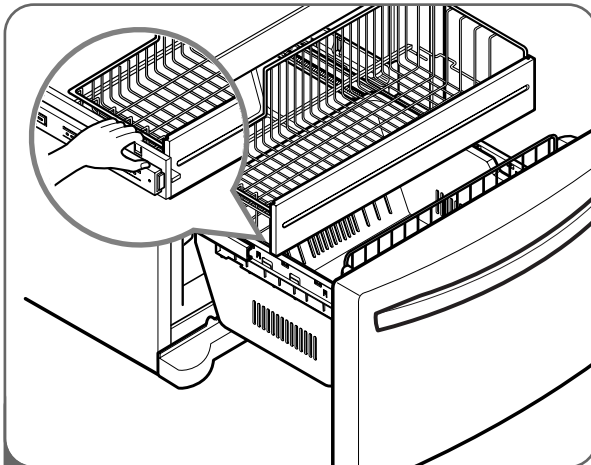
- 1 Para quitar el canasto de la puerta inclinable, presione sobre el soporte de extremo, luego tire del extremo del canasto para quitarlo.



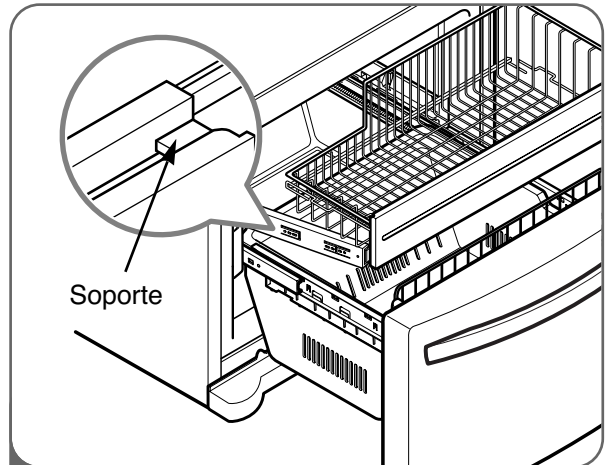
- 2 Para volver a colocar el cajón de la puerta inclinable, introduzca el soporte dentro de un lado y enganche un extremo del canasto al soporte. Luego, enganche el otro extremo del canasto en el otro soporte y empuje el soporte hacia abajo.

NOTA: Asegúrese de que la parte trasera del canasto esté ubicada detrás de la lengüeta de retención de cada soporte.

Cajón deslizable



- 1 Para sacar el cajón, empuje las lengüetas situadas en la superficie interior delantera de cada raíl.
A continuación, levante con cuidado los lados derecho e izquierdo posteriores del cajón y tire hacia afuera.



- 2 Para volver a colocarlo, saque totalmente los dos raíles. Inserte el extremo del saliente en la abrazadera a izquierda y derecha.
Asegúrese de que las guías de la parte delantera estén correctamente alineadas y empujelas con cuidado hacia los dos laterales.

CÓMO LIMPIAR EL REFRIGERADOR

⚠️ ADVERTENCIA

Peligro de explosión

- **Utilice limpiadores no inflamables.**
- **No hacerlo puede provocar la muerte, una explosión, o un incendio.**

Las secciones del refrigerador y del congelador se descongelan de manera automática. Sin embargo, limpie las dos secciones una vez al mes para prevenir olores. Limpie derrames de alimentos de inmediato.

- Desenchufe el refrigerador.
- Quite todas las piezas desmontables, como estantes y cajones.
- Use una esponja limpia o un paño con detergente suave en agua tibia. No utilice productos de limpieza abrasivos o fuertes.
- Lave a mano, enjuague, y seque bien todas las superficies.
- Enchufe el refrigerador.

NOTA: Los pulverizadores para ventanas, limpiadores abrasivos, o los fluidos inflamables pueden rayar o dañar las tapas o paneles plásticos.

Cómo limpiar la parte externa

En modelos con exterior de acero inoxidable, use un limpiador de acero inoxidable disponible comercialmente de acuerdo con las instrucciones del fabricante. También puede usar una esponja limpia o un paño con detergente suave en agua tibia. No utilice productos de limpieza abrasivos o fuertes. Seque por completo con un paño suave.

IMPORTANTE: No use ceras de limpieza, detergentes concentrados, o limpiadores a base de petróleo en piezas plásticas del refrigerador como cubas interiores o juntas.

Cuidado y limpieza de la parte interna

NOTA: Espere a que el congelador suba la temperatura para que el paño de limpieza no se pegue. Para ayudar a quitar olores, limpie la parte interna del refrigerador con una mezcla de bicarbonato de sodio y agua tibia. Mezcle 1 cucharadita de bicarbonato de sodio en 1 cuarto de galón de agua (26 g de bicarbonato en 1 L de agua). Verifique que el bicarbonato de sodio se disuelva por completo para que no raye las superficies del refrigerador.

IMPORTANTE: No utilice una boquilla de pulverización para limpiar el interior.

INFORMACIÓN GENERAL

Almacenamiento

Durante vacaciones de una extensión promedio, probablemente sea mejor dejar el refrigerador en funcionamiento. Coloque los productos que requieren congelado en el congelador para lograr una mayor vida útil.

Cuando planea dejar de usar el refrigerador, quite todos los alimentos, desconecte el cable de energía, limpie el interior por completo, y deje las puertas abiertas para evitar la formación de moho. Asegúrese de que el refrigerador no presente un peligro de encierro para niños.

Traslado

Descargue el refrigerador para cambiar la ubicación. (Esto no es necesario cuando lo mueva para limpiar detrás). Verifique que el refrigerador alcance la temperatura ambiente, y seque la parte interna antes de cerrar las puertas para prepararlo para la mudanza. Para no dañar los tornillos de ajuste de altura, gírelos por completo dentro de la base.

Corte de energía

La mayoría de los cortes de energía que se corrigen en una o dos horas no afectarán las temperaturas del refrigerador. Sin embargo, usted debe minimizar la cantidad de veces que abra la puerta mientras no hay energía.

Durante un corte de luz, podría gotear agua del depósito de hielo. Para prevenir esto, retire el depósito de hielo, extraiga todo su contenido, séquelo con una toalla y vuelva a colocarlo.

DETECCIÓN DE PROBLEMAS

ANTES DE LLAMAR AL SERVICIO TÉCNICO

Antes de llamar al servicio técnico, examine esta lista. Puede ahorrarle tiempo y dinero. La lista incluye situaciones comunes que no son el resultado de mano de obra o materiales defectuosos del artefacto.

Problema	Causas posibles	Soluciones
El compresor del refrigerador no funciona.	<ul style="list-style-type: none"> • El control del refrigerador está apagado • El refrigerador está en el ciclo de descongelado. • El enchufe del tomacorriente está desconectado. • Corte de energía. Verifique las luces de la casa. 	<ul style="list-style-type: none"> • Configure el control del refrigerador. • Esto es normal para un refrigerador de descongelado totalmente automático. El ciclo de descongelado ocurre en forma periódica. • Verifique que el enchufe esté bien colocado en el tomacorriente. • Llame a la compañía local de electricidad.
El compresor del refrigerador funciona muy a menudo o durante mucho tiempo.	<ul style="list-style-type: none"> • El refrigerador es más grande que su artefacto anterior. • La habitación o el clima externo son muy calurosos. • El refrigerador fue recientemente desconectado por un rato. • Se han guardado grandes cantidades de alimentos tibios o calientes. • Las puertas se abren muy a menudo o durante mucho tiempo. • Las puertas del refrigerador o congelador pueden estar apenas abiertas. • El control del refrigerador está configurado a una temperatura muy baja. • La junta del refrigerador o congelador está sucia, gastada, rota, o mal colocada. 	<ul style="list-style-type: none"> • Esto es normal. Las unidades más grandes y más eficientes funcionan durante más tiempo. • Es normal para el refrigerador funcionar bajo estas condiciones. • El refrigerador tarda unas horas en alcanzar temperaturas de enfriado. • Los alimentos tibios harán que el refrigerador funcione durante más tiempo hasta alcanzar la temperatura deseada. • El aire tibio que ingresa al refrigerador hace que funcione más. No abra las puertas tan seguido. • Verifique que el refrigerador no esté torcido. No permita que alimentos y recipientes bloqueen la puerta. • Ajuste el control del refrigerador a una configuración menos fría hasta que la temperatura sea satisfactoria. • Limpie o cambie la junta. Las filtraciones en el sellado de la puerta harán que el refrigerador funcione por más tiempo para mantener las temperaturas deseadas.
El compresor del refrigerador se enciende y apaga.	<ul style="list-style-type: none"> • El termostato está manteniendo el refrigerador a una temperatura constante. 	<ul style="list-style-type: none"> • Esto es normal. El refrigerador se enciende y apaga para mantener la temperatura constante.
La temperatura del refrigerador es muy baja, pero la del congelador es satisfactoria.	<ul style="list-style-type: none"> • El control del congelador está configurado en una temperatura demasiado baja. 	<ul style="list-style-type: none"> • Ajuste el control del congelador en una configuración menos fría hasta que la temperatura sea satisfactoria.
La temperatura del refrigerador es muy baja, pero la del congelador es satisfactoria.	<ul style="list-style-type: none"> • El control del refrigerador está configurado en una temperatura muy baja. 	<ul style="list-style-type: none"> • Ajuste el control del refrigerador a una configuración menos fría.

DETECCIÓN DE PROBLEMAS

ANTES DE LLAMAR AL SERVICIO TÉCNICO (CONT.)

Problema	Causas posibles	Soluciones
Los alimentos almacenados en los cajones del refrigerador se congelan.	<ul style="list-style-type: none"> • El control del refrigerador está configurado en una temperatura muy fría. 	<ul style="list-style-type: none"> • Ajuste el control del refrigerador a una configuración menos fría.
Las temperaturas del refrigerador o congelador están muy elevadas.	<ul style="list-style-type: none"> • El control del congelador o refrigerador está configurado en una temperatura muy elevada. • Las puertas se abren muy a menudo o durante mucho tiempo. • La puerta está apenas abierta. • Se han guardado grandes cantidades de alimentos tibios o calientes. • El refrigerador fue recientemente desconectado por un rato. 	<ul style="list-style-type: none"> • Ajuste el control del congelador o refrigerador a una configuración más fría hasta que la temperatura sea satisfactoria. • Aire caliente ingresa al refrigerador/congelador cuando se abre la puerta. No abra la puerta tan seguido. • Cierre la puerta por completo. • Espere a que el refrigerador o congelador haya tenido tiempo de enfriar los alimentos para configurar la temperatura. • El refrigerador tarda unas horas en alcanzar temperaturas configuradas.
La temperatura del refrigerador es muy elevada, pero la del congelador es satisfactoria.	<ul style="list-style-type: none"> • El control del refrigerador está configurado a una temperatura muy elevada. 	<ul style="list-style-type: none"> • Ajuste el control del refrigerador a una configuración más fría.
Los niveles de sonido son mayores cuando se enciende el compresor.	<ul style="list-style-type: none"> • El refrigerador funciona a presiones más altas durante el inicio del ciclo ON (encendido). 	<ul style="list-style-type: none"> • Esto es normal.
Hay vibraciones o golpeteos.	<ul style="list-style-type: none"> • El piso está desparejo o débil. El refrigerador se tambalea sobre el piso cuando se lo mueve un poco. • Los productos colocados sobre el refrigerador vibran. • Vibran los platos ubicados en los estantes del refrigerador. • El refrigerador roza la pared o los armarios. 	<ul style="list-style-type: none"> • Asegúrese de que el piso esté nivelado y sólido y que pueda dar soporte adecuado al refrigerador. • Quite los productos. • Es normal que los platos vibren un poco. Mueva los platos ligeramente. Asegúrese de que el refrigerador esté nivelado y firmemente asentado sobre el piso. • Mueva el refrigerador para que no toque la pared.
Se acumula humedad en las paredes internas del refrigerador.	<ul style="list-style-type: none"> • El clima es caluroso y húmedo, lo que eleva la formación de escarcha y condensación interna. • La puerta está apenas abierta. • La puerta se abre muy a menudo o por mucho tiempo. 	<ul style="list-style-type: none"> • Esto es normal. • Cierre la puerta. • No abra la puerta tan seguido.
Se acumula humedad en la parte externa del refrigerador o entre las puertas.	<ul style="list-style-type: none"> • El clima es muy húmedo. • La puerta está apenas abierta. 	<ul style="list-style-type: none"> • Esto es normal en climas húmedos. Cuando la humedad ambiente baje, la humedad del refrigerador debe desaparecer. • Cierre la puerta por completo.

DETECCIÓN DE PROBLEMAS

ANTES DE LLAMAR AL SERVICIO TÉCNICO (CONT.)

Problema	Causas posibles	Soluciones
Se acumula humedad en el dispensador.	<ul style="list-style-type: none"> • Puede formarse humedad cuando la temperatura o la humedad son elevadas. 	<ul style="list-style-type: none"> • Limpie la humedad con un paño.
Hay olores en el refrigerador.	<ul style="list-style-type: none"> • Debe limpiarse la parte interna. • Hay alimentos con olor fuerte en el refrigerador. • Algunos recipientes y envoltorios producen olores. 	<ul style="list-style-type: none"> • Limpie el interior con una esponja, agua tibia, y bicarbonato de sodio. Asegúrese de que el bicarbonato de sodio se disuelva por completo para que no actúe como un compuesto abrasivo. • Cubra los alimentos por completo. • Use otros recipientes u otra marca de envoltorio.
Las puertas no cierran.	<ul style="list-style-type: none"> • Los paquetes de alimentos no dejan cerrar las puertas. • La puerta se cerró con mucha fuerza, lo que provocó que la otra se abra un poco. • El refrigerador no está nivelado. Se tambalea sobre el piso cuando se lo mueve un poco. • El piso está desparejo o débil. El refrigerador se tambalea sobre el piso cuando se lo mueve un poco. • El refrigerador toca la pared o los armarios. 	<ul style="list-style-type: none"> • Mueva los paquetes que no dejan cerrar la puerta. • Cierre las dos puertas con suavidad. • Modifi que el tornillo de ajuste de altura. • Asegúrese de que el piso esté nivelado y que pueda brindar apoyo adecuado al refrigerador. Comuníquese con un carpintero para corregir pisos hundidos o combados. • Mueva el refrigerador.
Es difícil mover los cajones.	<ul style="list-style-type: none"> • Hay alimentos que tocan el estante en la parte superior del cajón. • La guía del cajón está sucia. 	<ul style="list-style-type: none"> • Conserve menos alimentos en el cajón. • Limpie el cajón y la guía.
Ruido a caída de hielo.	<ul style="list-style-type: none"> • Ha caído una tanda de hielo en el recipiente. 	<ul style="list-style-type: none"> • Este sonido se produce cuando el hielo fabricado automáticamente cae en el recipiente de almacenamiento de hielo. El volumen puede variar según la ubicación del refrigerador.
Ruido a agua corriendo.	<ul style="list-style-type: none"> • La máquina de hacer hielo está recibiendo agua. 	<ul style="list-style-type: none"> • Este sonido se escucha normalmente cuando la máquina de hielo recibe agua después de liberar el hielo fabricado automáticamente. • Si este sonido dura más de 10 segundos, compruebe si existen fugas.

DETECCIÓN DE PROBLEMAS

ANTES DE LLAMAR AL SERVICIO TÉCNICO (CONT.)

Problema	Causas posibles	Soluciones
<p>La máquina para hielo no produce hielo o no produce suficiente hielo.</p>	<ul style="list-style-type: none"> • Nueva instalación. • El frigorífico no está conectado a un suministro de agua y la válvula de desconexión de suministro no está activada. • El sistema de filtración de agua por ósmosis inversa está conectado al suministro de agua fría. • Doble en la línea de suministro de agua. • Se ha sacado una gran cantidad de hielo recientemente. • La cubitera no está encendida. • Hay algo en el sensor de la cubitera. • La temperatura establecida es demasiado tibia en el congelador. • Se abren frecuentemente las puertas. • alguna puerta no está bien cerrada. • La puerta del compartimento de hielo no está bien cerrada. • No se ha seleccionado la opción Ice Plus. 	<ul style="list-style-type: none"> • Espere 24 horas después de la instalación de la máquina de hielo para que se inicie la producción de hielo. Espere 72 horas para plena producción de hielo. • Conecte el refrigerador al suministro de agua y abra completamente la válvula del suministro de agua. • Esto puede hacer que baje la presión de agua y que un poco de agua entre en la máquina de hielo. • Un doble en la línea puede reducir el flujo de agua. Enderece la línea de suministro de agua. • Espere 24 horas para que la máquina de hielo produzca más hielo. • Debe haber un interruptor en la máquina de hielo. Puede tener los símbolos “I” y “O”. La posición “I” es de encendido. Si está apagada, favor de cambiar el interruptor a la posición de encendido. • Un cuerpo extraño o escarcha en el sensor de la cubitera interrumpe la producción de hielo. Para seguir produciendo hielo, limpie la superficie del sensor de la cubitera con un paño limpio y suave. • Se recomienda establecer la temperatura del compartimento del congelador por debajo de -1°F para la producción normal de hielo. Si la temperatura del congelador se establece a una temperatura más tibia, entonces el hielo se producirá más lentamente. • Si se abren frecuentemente las puertas de la unidad, el aire frío se escapará, lo que impedirá que la unidad mantenga la temperatura establecida. Puede ayudar bajar la temperatura, así como no abrir la puerta tan frecuentemente. • La puerta que no se cierre adecuadamente hace que la temperatura del congelador sea más alta y la máquina de hielo hará hielos más lentamente. • Si la puerta del compartimento no se cierra adecuadamente, la temperatura del compartimento aumenta y la máquina de hielo hará hielos más lentamente. • Con esta opción, aumenta el aire frío en el compartimento, así como la producción de hielo.
<p>Otros</p>	<p>Tenga a bien leer detenidamente las secciones Máquina Automática para Hacer Hielo y Cómo Operar el Dispensador de este manual.</p>	

ESPECIFICACIONES

DIMENSIONES Y ESPECIFICACIONES IMPORTANTES

La apariencia y especificaciones listadas en esta guía pueden variar debido a mejoras constantes del producto.

Refrigerador con congelador inferior modelos LFC25776	
Descripción	Réfrigérateur à portes françaises
Requerimientos eléctricos	115 VAC @ 60 Hz
Presión de agua mín. / máx.	20~121 PSI (1,4~8,5 kgf/cm ²)
Dimensiones	35 3/4" (W) X 34 1/4" (D) X 69 3/4" (H), 46 1/2" (P con puerta la abierta) 908 mm (W) X 870 mm (D) X 1772 mm (H), 1181 mm (P con puerta la abierta)
Peso neto	276 lb. (125 kg)
Capacidad de almacenamiento del refrigerador	17,7 pies cúbicos
Capacidad de almacenamiento del congelador	7,3 pies cúbicos

Refrigerador con congelador inferior modelo LFC21776	
Descripción	Refrigerador de puerta francesa
Requerimientos eléctricos	115 VAC @ 60 Hz
Presión de agua mín. / máx.	20~121 PSI (1,4~8,5 kgf/cm ²)
Dimensiones	35 3/4" (W) X 30 1/4" (D) X 69 3/4" (H), 42 1/4" (P con puerta la abierta) 908 mm (W) X 768 mm (D) X 1772 mm (H), 1073 mm (P con puerta la abierta)
Peso neto	254 lb. (115 kg)
Capacidad de almacenamiento del refrigerador	14,7 pies cúbicos
Capacidad de almacenamiento del congelador	6,0 pies cúbicos

LG ELECTRONICS U.S.A., INC.

FRIGORÍFICO LG GARANTÍA LIMITADA - U.S.A.

En caso de que su Frigorífico LG ("Producto") falle por defectos de material o mano de obra bajo circunstancias de uso doméstico normal durante el período de garantía descrito a continuación, LG, a su criterio, reparará o reemplazará el producto. Esta garantía limitada es sólo válida para el comprador original del producto y se aplicará sólo cuando la compra y el uso se haya realizado dentro de los Estados Unidos, incluyendo los territorios de EE.UU. Para solicitar un servicio cubierto por esta garantía limitada, será necesario presentar el comprobante de compra original.

PERÍODO DE GARANTÍA			
Frigorífico	Sistema Cerrado (Condensador, Filtro desecante, Tubo conector, Refrigerante y Evaporador)		Compresor lineal
Un (1) año a partir de la fecha original de compra	Un (1) año a partir de la fecha original de compra	Siete (7) años a partir de la fecha original de compra	Diez (10) años a partir de la fecha original de compra
Piezas y mano de obra (sólo piezas internas/funcionales)	Piezas y mano de obra	Sólo piezas (Se le cobrará mano de obra al consumidor)	Sólo piezas (Se le cobrará mano de obra al consumidor)

Ruidos asociados con operaciones y fallas normales encontradas en las instrucciones de uso y cuidado y las guías de instalación u operación de la unidad en un ambiente inapropiado no serán cubiertas bajo esta garantía.

- ▶ Los productos y piezas reemplazados están garantizados por la parte que reste del período original de la garantía o por noventa (90) días, el período que sea más largo de los dos.
- ▶ Los productos y piezas reemplazados pueden ser nuevos o reacondicionados.

ESTA GARANTÍA SUSTITUYE A CUALQUIER OTRA GARANTÍA, EXPRESA O IMPLÍCITA, INCLUYENDO, SIN LIMITACIONES, CUALQUIER GARANTÍA DE COMERCIABILIDAD O ADECUACIÓN A UN FIN PARTICULAR. HASTA EL EXTREMO PERMITIDO POR LA LEY PARA UNA GARANTÍA IMPLÍCITA, LA DURACIÓN SE LIMITA AL PERÍODO DE GARANTÍA EXPRESA INDICADO ANTERIORMENTE. NI EL FABRICANTE NI EL DISTRIBUIDOR DE EE.UU. SERÁN RESPONSABLES DE CUALQUIER DAÑO EXTRAORDINARIO POR MOTIVOS AJENOS, INDIRECTOS, ESPECIALES, O DAÑOS PUNITIVOS DE CUALQUIER NATURALEZA, INCLUYENDO SIN LIMITACIONES, PÉRDIDAS DE BENEFICIOS, O CUALQUIER OTRO DAÑO YA SEA MENCIONADO EN EL CONTRATO, ACUERDO, O CUALQUIER OTRO SUPUESTO. Algunos estados no permiten la exclusión o limitación de daños extraordinarios o ajenos o limitaciones sobre la duración de una garantía implícita, por lo tanto la exclusión o limitación citada arriba puede que no se le aplique a usted. Esta garantía le otorga derechos legales específicos y podría tener otros derechos que variarán dependiendo del estado.

ESTA GARANTÍA LIMITADA NO CUBRE:

1. Desplazamientos del servicio para entregar, recoger, instalar o reparar el producto, instruir al cliente en el funcionamiento del producto, reparar o reemplazar fusibles o corregir cableados o fontanería o para realizar correcciones de reparaciones o instalaciones no autorizadas.
2. Averías de funcionamiento del producto durante cortes eléctricos e interrupciones del servicio eléctrico.
3. Daños causados por tuberías de agua con fugas o rotas, tuberías de agua congeladas, conductos de drenaje bloqueados, suministros de agua inapropiados o interrumpidos o suministros de aire inadecuados.
4. Daños provocados por un uso del producto en una atmósfera corrosiva o contraria a las instrucciones enmarcadas en el manual del propietario del producto.
5. Daños al producto provocados por accidentes, plagas y parásitos, rayos, viento, fuego, inundaciones o actos de la Naturaleza.
6. Daños provocados por un uso indebido, abuso, instalación, reparación o mantenimiento inadecuados. Una reparación inadecuada que incluya piezas no aprobadas o especificadas por LG.
7. Daños o fallos provocados por una modificación o alteración no autorizada, o por un uso más allá de su propósito o cualquier fuga de agua causada por una incorrecta instalación de la unidad.
8. Daños o fallos provocados por una incorrecta corriente eléctrica, voltaje, normativas de fontanería, uso comercial o industrial, o uso de accesorios, componentes, o productos de limpieza desechables que no estén aprobados por LG.
9. Daños provocados por transporte y manipulación, incluyendo arañazos, limaduras, astillados y/o cualquier otro daño al acabado de su producto, a menos que tales daños sean producto de defectos en los materiales o en la fabricación y sea informado en el plazo de una (1) semana desde su entrega (Llame al: 1-800-243-0000).
10. Daños u objetos desaparecidos de cualquier producto de presentación, con la caja abierta o productos rebajados o reacondicionados.
11. Productos cuyo número de serie original haya sido retirado, alterado o no sea legible con claridad. Para la validación de la garantía serán necesarios el recibo de compra original, el número de serie y el número del modelo.
12. Incrementos de los costes de utilidad y gastos de utilidad adicionales.
13. Sustitución de bombillas, filtros o cualquier otra pieza desechable.
14. Reparaciones cuando su producto haya sido usado de forma diferente al uso doméstico normal (p.ej. uso comercial, en oficinas y lugares de ocio) o contrario a las instrucciones enmarcadas en el manual del propietario del producto.
15. Costes asociados a la retirada del producto de su hogar para reparaciones.
16. La retirada e instalación del producto si se encuentra instalado en un lugar inaccesible o no está instalado de acuerdo con lo publicado en el manual de instalación del producto, incluyendo los manuales LG del propietario y de instalación.
17. Las estanterías, cestas de las puertas, cajones, manillas, y otras piezas a parte de aquellas que venían incluidas con este modelo en particular.

El coste de la reparación o sustitución bajo estas circunstancias excluidas será asumido por el cliente.

Para obtener una información más detallada de la garantía y asistencia al cliente, Por favor llame o visite nuestra página web:

Llame al 1-800-243-0000 (24 horas al día, 365 días al año) y seleccione la opción apropiada del menú o visite nuestra página web en: <http://us.lgservice.com>

O por correo: Centro de información al cliente LG:

P. O. Box 240007, 201 James Record Road Huntsville, Alabama 35813
ATTN: CIC

Escriba la información de su garantía debajo:

Información de registro del producto:

Modelo: _____

Número de serie: _____

Fecha de la compra: _____

NOTAS







LG Customer Information Center

For inquires or comments, visit www.lge.com or call;

1-800-243-0000 USA, Consumer User

1-888-865-3026 USA, Commercial User

1-888-542-2623 CANADA

Register your product Online!

www.lge.com